

FTA - FTR GENERAL INFORMATION

Technical data

Oil tank fixing flange

FT flanges make it possible to fix suction and return lines on the reservoir cover.

Fitting a flexible insert allows separation of pipes.

Both rigid pipes and flexible hoses can be separated from the reservoir walls, absorbing vibration and reducing plant noise emissions.

Operating pressure

400 bar

Operating temperature

From -25 °C to + 100 °C

Materials

- Flange: Galvanized steel
- Flange seal: Inorganic fibre
- Tube seal: NBR
- Screw: Galvanized steel

Weight FTA

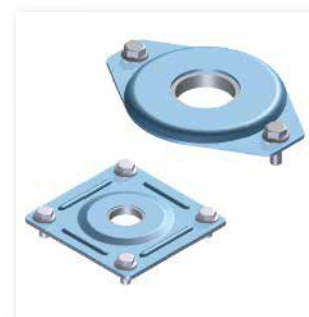
FTA 1215	0.590 kg
FTA 1620	0.570 kg
FTA 2225	0.550 kg
FTA 2630	0.530 kg
FTA 3235	0.500 kg
FTA 3842	0.520 kg
FTA 4850	0.920 kg
FTA 6061	0.900 kg
FTA 7577	0.860 kg
FTA 8789	0.830 kg

Weight FTR

FTR 0610	0.450 kg
FTR 1215	0.430 kg
FTR 1620	0.400 kg
FTR 2225	0.100 kg
FTR 2630	0.103 kg
FTR 3235	0.980 kg
FTR 3842	0.950 kg
FTR 4850	0.900 kg
FTR 6061	0.850 kg

Quantity

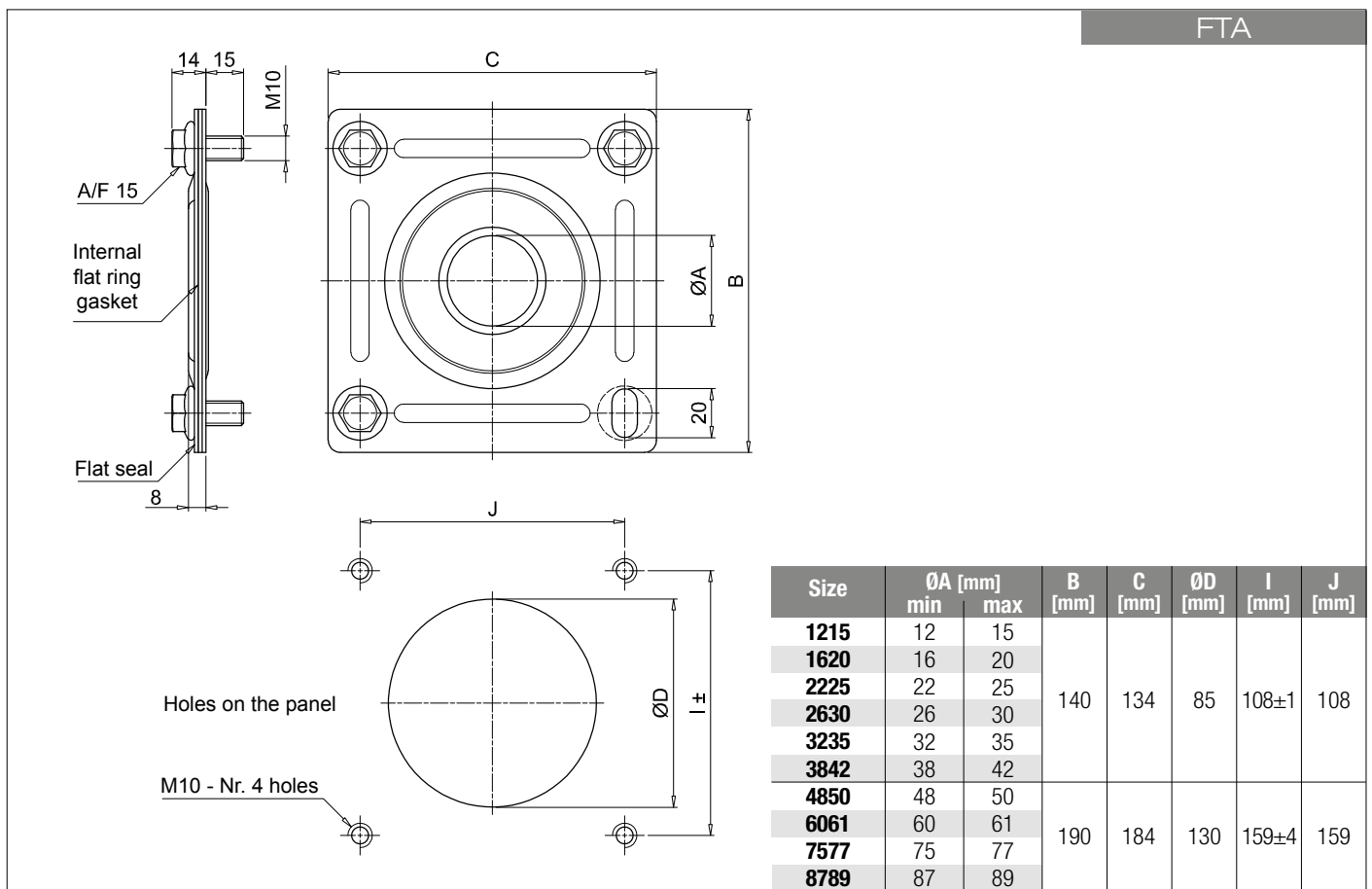
25 pcs/pack



Designation & Ordering code

FTA - FTR			
Series	Configuration example : FTA 2630 G A P01		
FTA	FTR		
Size	FTA	FTR	
0610 Pipe Ø06 ÷ 10 mm		•	
1215 Pipe Ø12 ÷ 15 mm	•	•	
1620 Pipe Ø16 ÷ 20 mm	•	•	
2225 Pipe Ø22 ÷ 25 mm	•	•	
2630 Pipe Ø26 ÷ 30 mm	•	•	
3235 Pipe Ø32 ÷ 35 mm	•	•	
3842 Pipe Ø38 ÷ 42 mm	•	•	
4850 Pipe Ø48 ÷ 50 mm	•	•	
6061 Pipe Ø60 ÷ 61 mm	•	•	
7577 Pipe Ø75 ÷ 77 mm	•		
8789 Pipe Ø87 ÷ 89 mm	•		
Flange seals	FTA	FTR	
G Inorganic fiber	•		
0 Without seal		•	
Pipe seals			
A NBR			
Execution			
P01 MP Filtri standard			
Pxx Customized			

FTA



FTR

