

SVM GENERAL INFORMATION

Technical data

Gauge isolator valves

Gauge isolator valves are designed to protect pressure gauges from pressure shocks when the pressure reading is not required; after each reading setting the selector to the closed position serves to depressurise the pressure gauge by means of the T fitting connected to the reservoir.

3 and 6-way pressure gauge selectors perform the same function as the gauge isolator valves, allowing pressure values from different parts of the system to be read using a single pressure gauge.

Working instructions:

- Knob not pressed: pressure gauge isolated
- Knob pressed: pressure gauge reading
- Knob pressed and turned: the knob remains in position and pressure gauge measures pressure continuously.
- To isolate the pressure gauge from pressure reading, turn the button until it returns to the not pressed position.

Materials

- Body: Cast iron
- Pin: Steel
- Seals: NBR, FPM
- Cover: Anodized aluminium
- Flange: Anodized aluminium
- Knob: Nylon
- Ringnut: Nylon
- Nut-screw: Galvanized steel, Phosphatized steel
- Pin: Steel

Operating temperature

From -25 °C to + 100 °C

Weight

SVM length 3 1.547 kg
SVM length 6 1.507 kg

Quantity

25 pcs/pack



Designation & Ordering code

SVM

Series and size

SVM

Configuration example : SVM 3 G1 A P01

Version

3 Nr. 3 pressure ports

6 Nr. 6 pressure ports

Connection

G1 G 1/4"

G2 1/4" NPT

G3 SAE 5 - 1/2" - 20 UNF

Seals

A NBR

V FPM

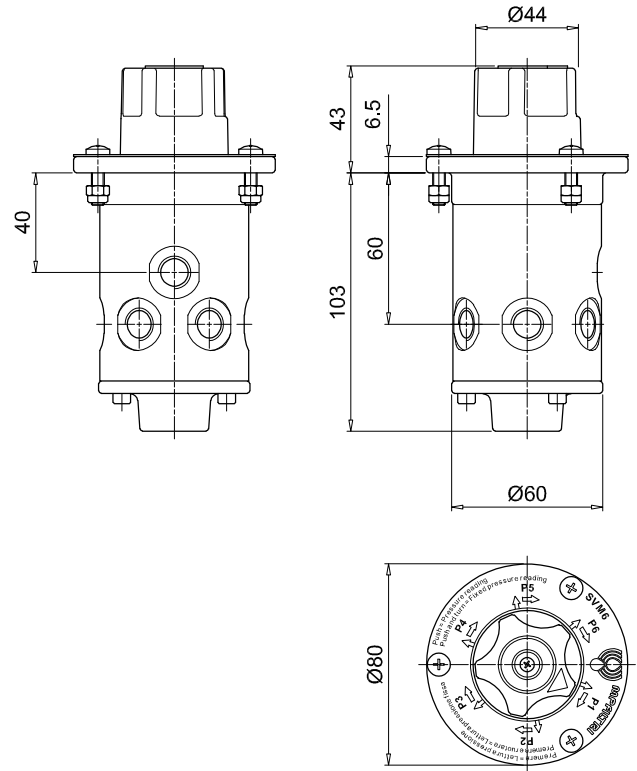
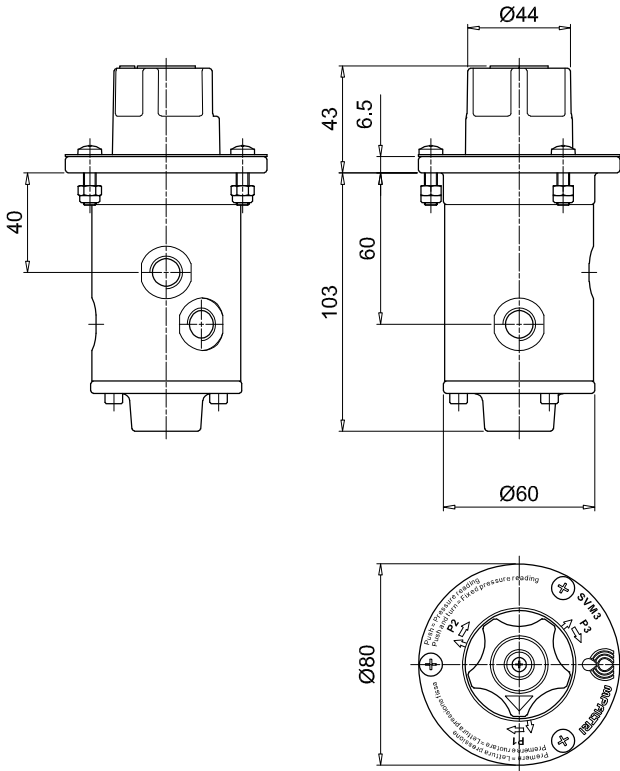
Execution

P01 MP Filtri standard

Pxx Customized

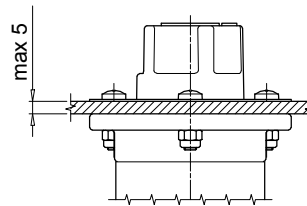
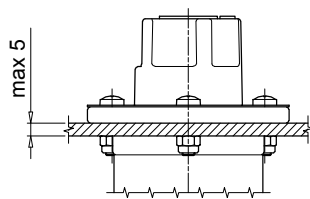
SVM
version 3

SVM
version 6



External mount

Internal mount



Holes on the panel

