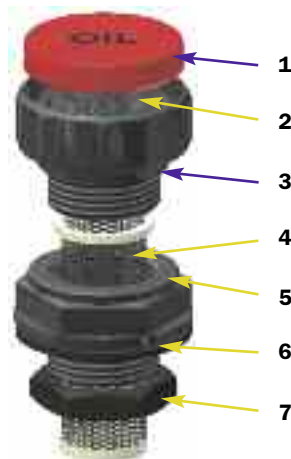
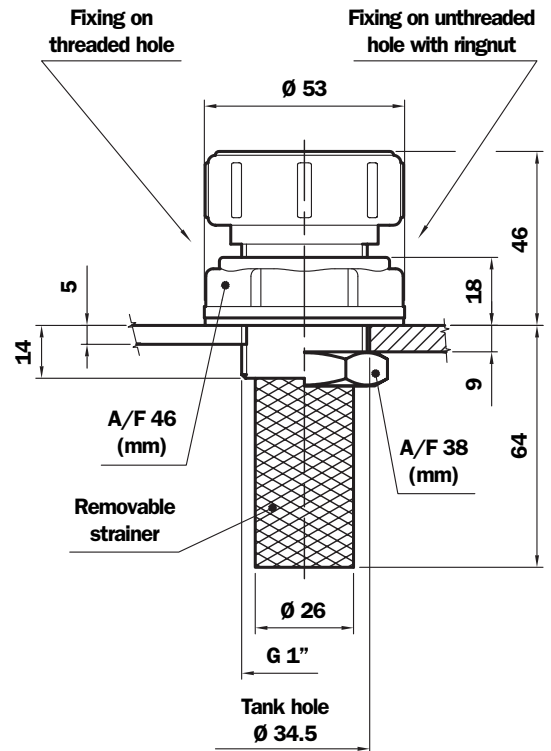


TC50G1.....P01
Threaded reservoir



Dimensions



TC50GA.....P01
Unthreaded hole in reservoir



TC50 ((Materials))

- 1 - Cover: Nylon
- 2 - Filter element: Galvanised Steel
- 3 - Filler cap: Nylon
- 4 - Strainer: Galvanised Steel/Nylon
AISI 304 Nylon
- 5 - Collar: Nylon
- 6 - Seal: Inorganic fibre
- 7 - Ringnut: Phosphated Steel

Weight

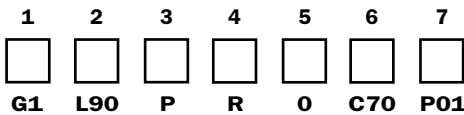
- TC 50 G1: 0,070 Kg
- TC 50 GA: 0,100 Kg

Ordering information

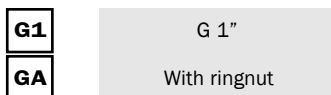
Filler cap

TC50

Example: TC50



1 - Connection



2 - Filter element



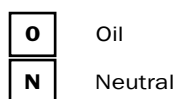
3 - Seal



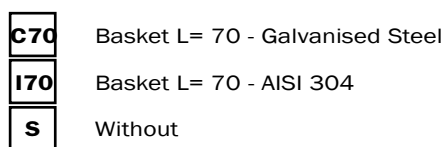
4 - Cover colour



5 - Cover wording



6 - Basket



7 - Options

