

Technical data

Filler plugs

Nylon filler plug

TKT is a range of nylon compact filler plugs for filling of the fluid into the systems during the commissioning and maintenance procedures. They are usually directly fitted on the tank.

Available features:

- Male threaded connections up to G 2"
- Breathing hole, to reduce the pressure inside the filter during the maintenance operations
- Caps with different graphics and colours, for the use in several applications
- Dipstick, to monitor the fluid level into the tank even in complicated positions
- Antisplash, to avoid fluid coming out through the air breather due to sloshing
- Labyrinth filter, to avoid fluid coming out through the air breather due to sloshing

Common applications:

- Hydraulic systems
- Mobile machines
- Industrial equipment

Materials

- Body: Nylon
- Seals: NBR, Inorganic fibre
- Labyrinth: Nylon
- Anti-splash feature: Resin impregnate paper
- Dipstick: Phosphatized steel

Temperature

From -25 °C to +100 °C

Weight

TKTG 13	5 g
TKTG 16	8 g
TKTG 20	10 g
TKTG 26	15 g
TKTG 33	30 g
TKTG 42	32 g
TKTG 60	35 g

Quantity

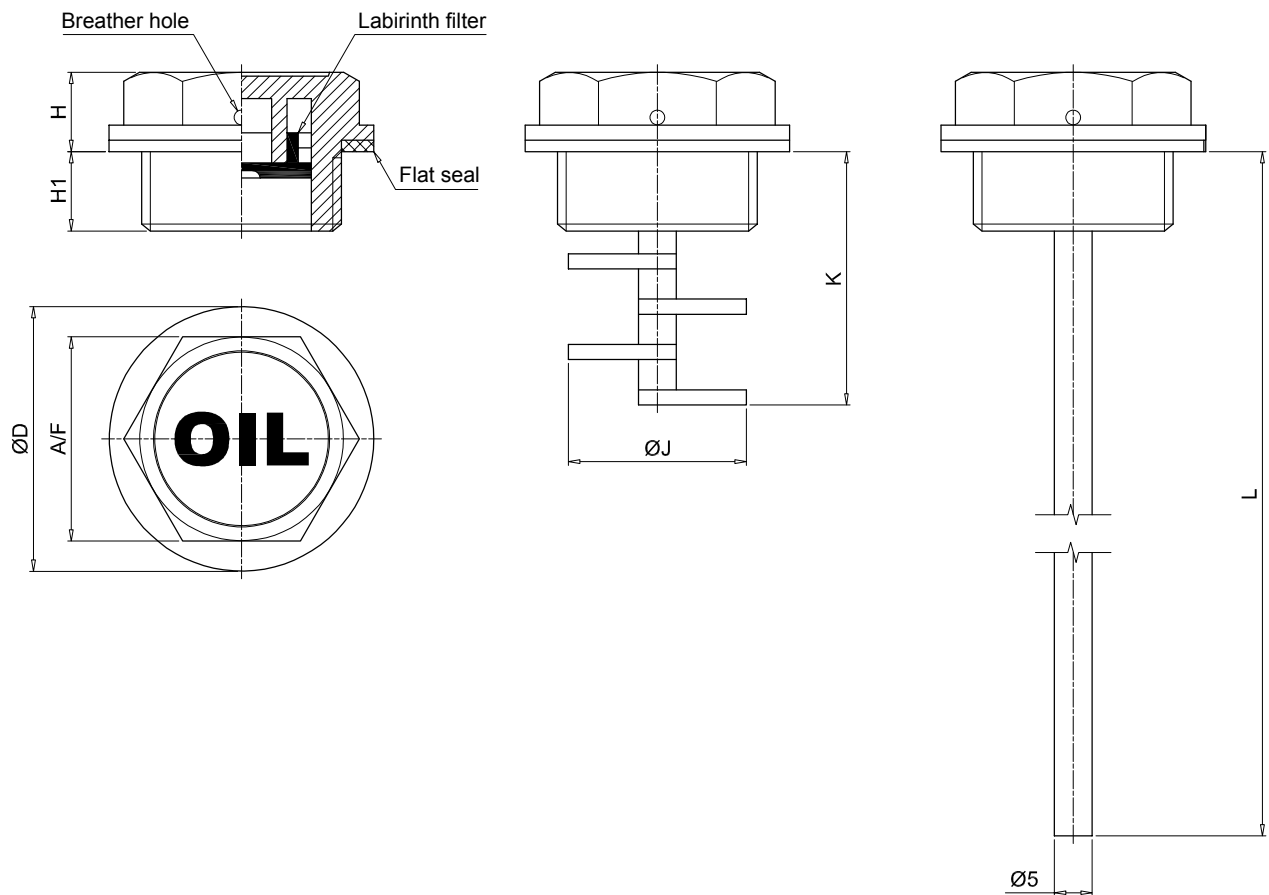
25 pcs/pack



Designation & Ordering code

FILLER PLUG - TKT

Series and size	Configuration example :									
TKT	TKT	G26	N	N	A	F	S	P01		
Connections to the tank	Version									
	S	A	F	L						
G13 Thread G 1/4"	•	•		•						
G16 Thread G 3/8"	•	•	•	•						
G20 Thread G 1/2"	•	•	•	•						
G26 Thread G 3/4"	•	•	•	•						
G33 Thread G 1"	•	•	•							
G42 Thread G 1 1/4"	•	•	•							
G48 Thread G 1 1/2"	•	•	•							
G60 Thread G 2"	•	•								
Colour	Version									
N Black nylon										
Cover wording	Version									
O Oil										
N Neutral										
Seals	Version									
	S	A	F	L						
A NBR		•	•							
B Inorganic fiber	•			•						
Breather hole	Version									
S Without breather hole										
F With breather hole										
Version	Version									
S Standard										
A With dipstick										
F With anti-splash feature										
L With labyrinth filter										
Execution	Version									
P01 MP Filtri standard										
Pxx Customized										



Connections	ØD [mm]	A/F [mm]	H [mm]	H1 [mm]	ØJ [mm]	K [mm]	L [mm]
G13	20	17	8.5	7.5	-	-	205
G16	22	18	9.5	8.5	13.5	32	206
G20	28	22	9.5	9.5	17.5	33	207
G26	35	27	10.5	10.5	23.5	34	208
G33	42	34	10.5	10.5	29.5	36	201
G42	52	42	11	11	38	38	201
G48	58	47	11	11	38	36	201
G60	74	64	18	18	-	-	198