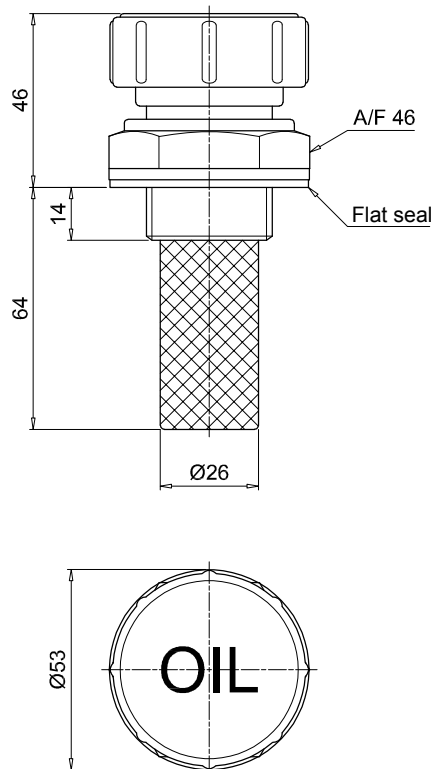




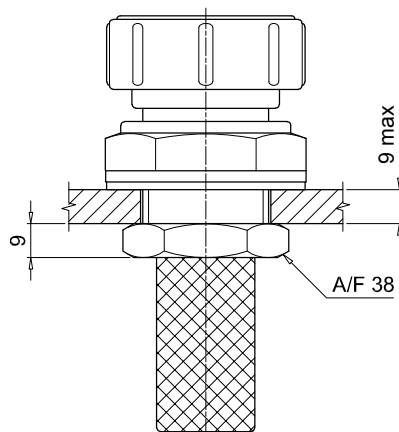
TC50

Threaded connection



TC50

With ringnut



Through hole on the tank

