

Technical data

Electrical oil level indicators

LEU is a range of electrical fluid level indicators for monitoring of the fluid level into the tank. They are directly fitted on the tank. The float moves through the rod while the fluid level changes. A magnet, fitted into the float, turns a reed sensor fixed into the rod. The setting point is adjustable on site, with few easy actions. They are made of stainless steel, to meet every heavy duty application.

Available features:

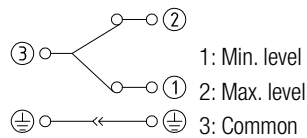
- Flanged connections
- Adjustable size on request, to meet every size of tank
- 2 floats, to monitor both the minimum level and the maximum level.

Common applications:

- Hydraulic systems
- Mobile machines
- Industrial equipment

Electrical symbol:

LEU 2 Floats



Note: to invert the contact status from NC to NO and vice versa, simply invert the float.

Materials

- Flange: Aluminium
- Tube: AISI 304
- Float: Hard rubber, AISI 316 (on request)
- O-Ring: NBR
- Circlip: AISI 304
- Float contact: N.C. reed, N.O. (on request)

Electrical data

- Protection rating: IP65
- Max switching capacity: 50 W
- Max switching current: 0.5 A
- Max switching voltage: 250 Vac
- Fluid specific gravity: > 0.75

Temperature

From -15 °C to + 80 °C

Weight

LEU 1 float 0.310 kg
LEU 2 floats 0.415 kg

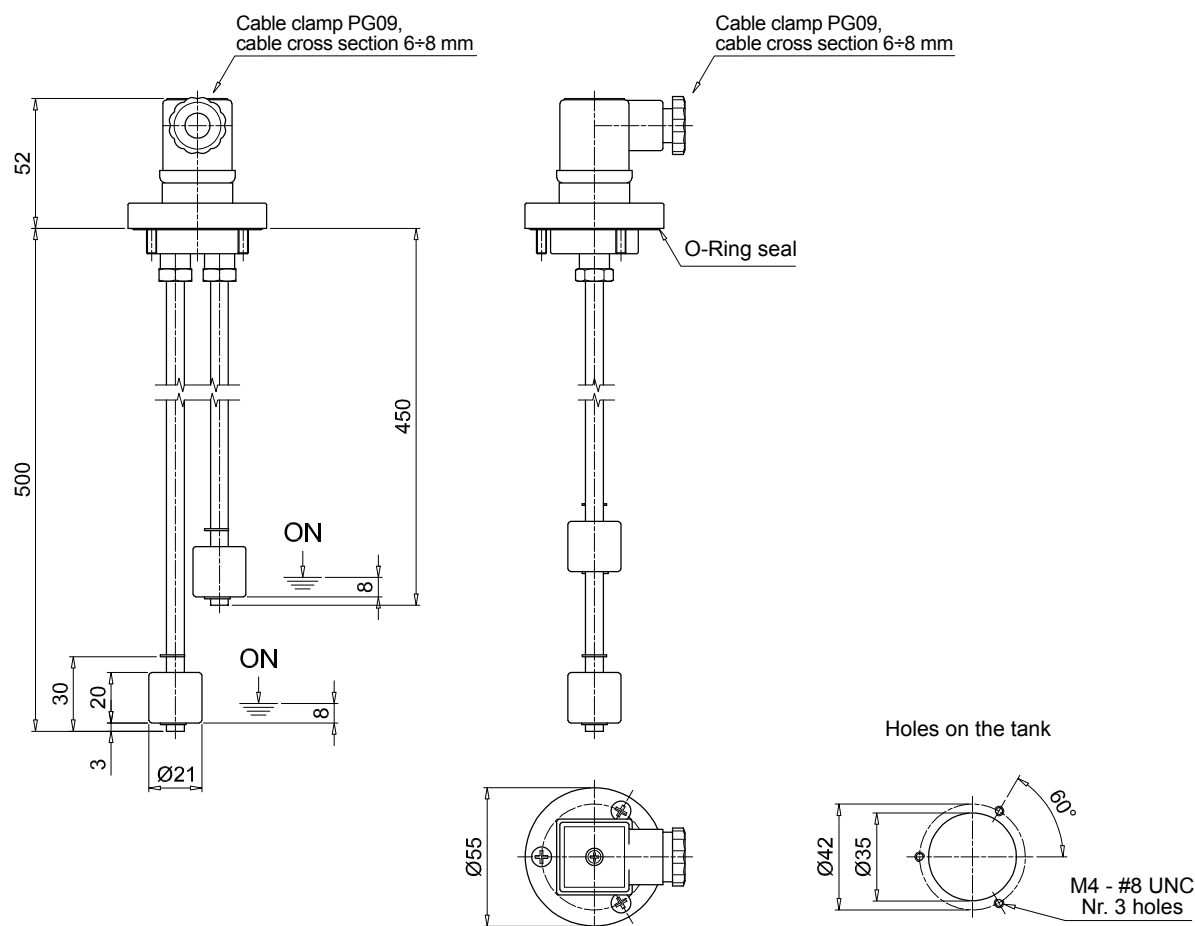


Designation & Ordering code

LEU

Series	Configuration example :	LEU	B	2	B	1	A	F	S	P01
LEU										
Tube material										
B AISI 304										
Number of floats										
2 Nr. 2 floats										
Float material										
B NBR										
Electrical switch										
1 N.C. (normally closed)										
Seals										
A NBR										
Connections to the tank										
F Nr. 3 holes flange										
Electrical connection										
S DIN 43650 connector										
Execution										
P01 MP Filtri standard										
Pxx Customized										

LEU



Optional

DIN 43650 CONNECTOR

Materials

- Flange: aluminum
- Rod: brass
- Float: nylon foam
- Seals: A= NBR - V= FPM

Temperature

From -15°C to $+80^\circ\text{C}$

For temperatures outside this range, contact
MP Filtri Technical and Sales Department