

## Technical data

### Electrical oil level indicators

LEG is a range of electrical fluid level indicators for monitoring of the fluid level into the tank.

They are directly fitted on the tank side.

The float moves through the rod while the fluid level changes.

A magnet, fitted into the float, turns a reed sensor fixed into the rod.

### Available features:

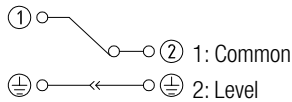
- Flanged connections
- Adjustable size on request, to meet every size of tank
- 1 float, to monitor the minimum level or the maximum level.

### Common applications:

- Hydraulic systems
- Mobile machines
- Industrial equipment

### Electrical symbol:

LEG 1 Float



**Note:** to invert the contact status from NC to NO and vice versa, simply invert the float.

### Materials

- Flange: Aluminium
- Tube: Brass
- Float: Nylon foam
- O-Ring: NBR
- Circlip: Phosphor bronze
- Contact: N.C. reed, N.O. (on request)

### Electrical data

- Protection rating: IP65
- Max switching capacity: 80 W
- Max switching current: 1 A
- Max switching voltage: 250 Vac
- Fluid specific gravity: > 0.75

The electrical properties indicated are referred to resistive loads; for capacitive and inductive loads and incandescent lamps, use protection circuits.

### Temperature

From -15 °C to + 80 °C

### Weight

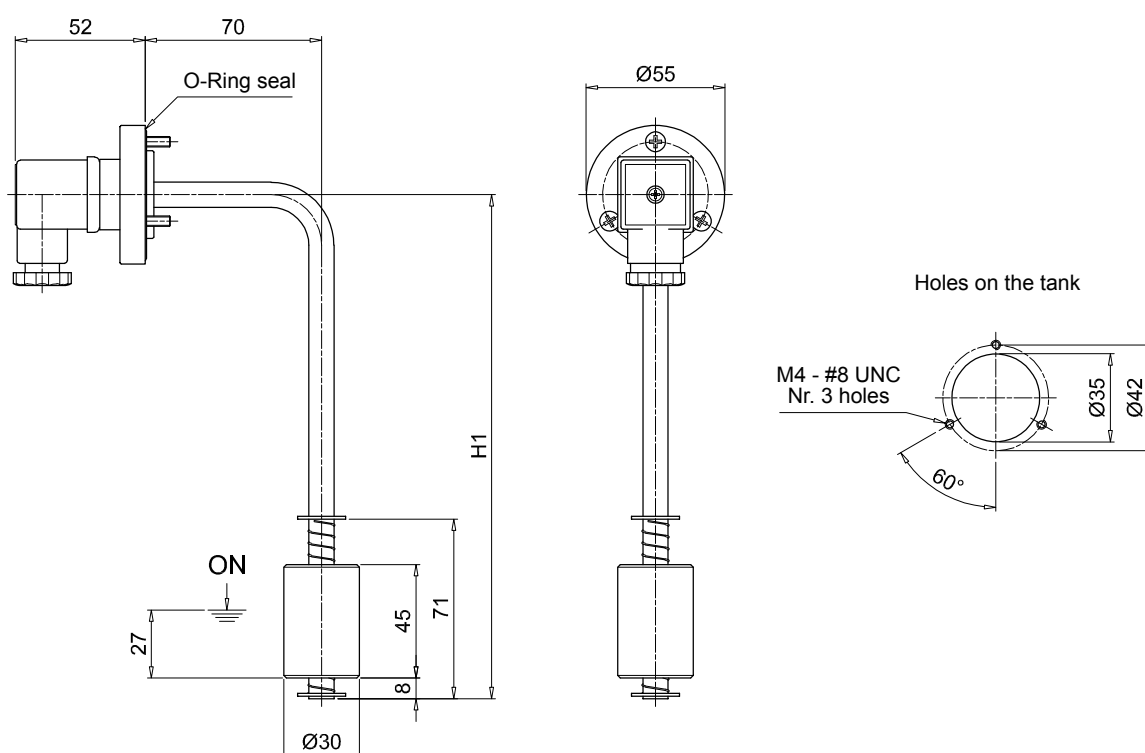
LEG A 102 0.19 kg  
LEG A 200 0.22 kg



## Designation & Ordering code

LEG										
Series	Configuration example : LEG A 200 1 A 1 A F S P01									
<b>LEG</b>										
Tube material	A	Brass								
Length	102	200								
Number of floats	1	Nr. 1 float								
Float material	A	Nylon foam								
Electrical switch	1	N.C. (normally closed)								
Seals	A	NBR								
Connection to the tank	F	Nr. 3 holes flange								
Electrical connection	S	DIN 43650 connector								
Execution	P01	MP Filtri standard								
	Pxx	Customized								

LEG	
Size	H1 [mm]
LEG 102	103
LEG 200	200



Optional

### DIN 43650 CONNECTOR

#### Materials

- Flange: aluminum
- Rod: brass
- Float: nylon foam
- Seals: A= NBR - V= FPM

#### Temperature

From -15 °C to +80 °C

For temperatures outside this range, contact  
MP Filtri Technical and Sales Department

**Note:** for installation onto OB Cleaning covers see page 147