

## Technical data

### Visual oil level indicators

LCC is a range of plastic compact fluid level indicators, usually called spy eyes, for monitoring of the fluid level into the tank. They are directly fitted on the tank side.

The special shape of the screen allows the monitoring of the fluid level from every position.

#### Available features:

- Male threaded connections up to G 2"
- Expansion kit, for reliable sealing even in tanks with thin walls

#### Common applications:

- Hydraulic systems
- Mobile machines
- Industrial equipment

### N Series

#### Weight

LCCG26	7 g
LCCG42	20 g
LCCG60	40 g

### Materials

- Body: Nylon
- Lens: Polyamide
- Contrast screen: Nylon
- Seals: Inorganic fibre, NBR
- Expansion kit: Brass / NBR

### T Series

#### Weight

LCCG16	2 g
LCCG20	4 g
LCCG33	9 g

### Materials

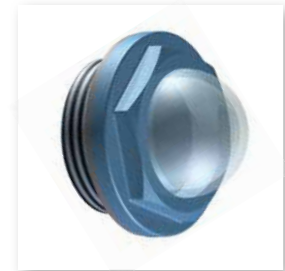
- Body: Polyamide
- Seals: NBR

### Temperature

From -20 °C to + 80 °C

### Quantity

25 pcs/pack



## Designation & Ordering code

### LCC

#### Series and size

**LCC**

Configuration example 1: LCC G20 N A K P01

Configuration example 2: LCC G33 T A P01

#### Connections to the tank

Material: N T

Series	Thread	N	T
G13	Thread G 1/4"		
G16	Thread G 3/8"		•
G20	Thread G 1/2"	•	•
G26	Thread G 3/4"	•	•
G33	Thread G 1"	•	•
G42	Thread G 1 1/4"	•	
G48	Thread G 1 1/2"	•	
G60	Thread G 2"	•	

#### Material

N Black nylon T Transparent polyamide

Seals	Material:	N		T
		S	K	
A	NBR		•	•
B	Inorganic fiber	•		

Expansion kit	Material:	N						T
		Connection:	G20	G26	G33	G42	G48	
S	Without		•	•	•	•	•	•
K	With expansion kit	•	•	•	•	•		

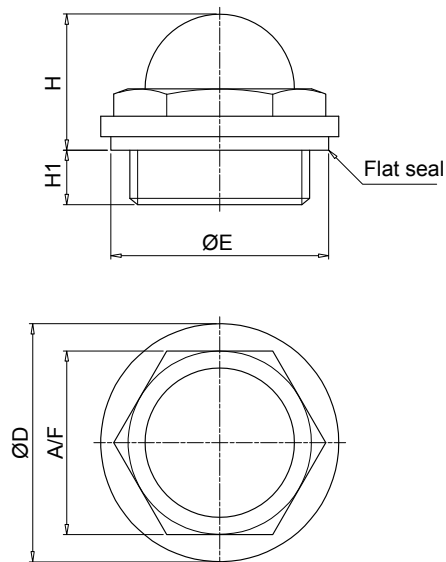
#### Execution

P01 MP Filtri standard

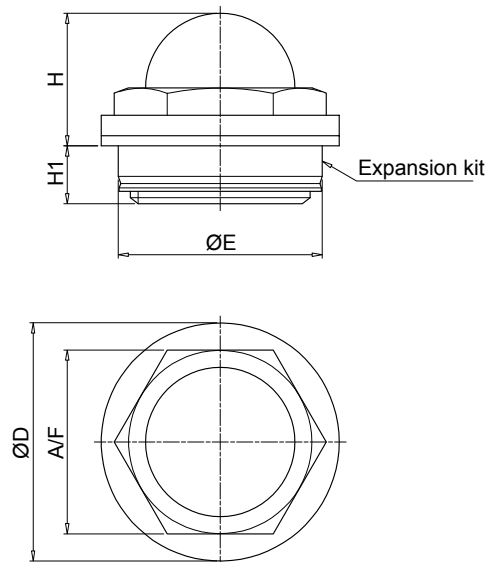
Pxx Customized

### LCC - N

without expansion kit



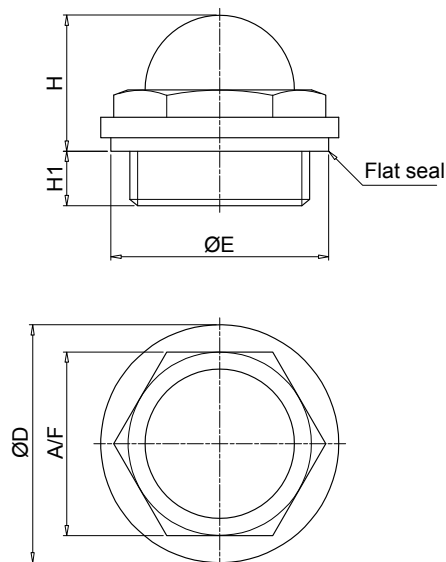
with expansion kit



Connection	ØD [mm]	ØE [mm]	A/F [mm]	H [mm]	H1 [mm]
<b>G20</b>	28	26	22	17.5	17.5
<b>G26</b>	35	32	27	20	8
<b>G33</b>	42	41	34	24	10
<b>G42</b>	52	51	44	30	11
<b>G48</b>	58	53.5	50	33	11.5
<b>G60</b>	74	72	64	39	18

Connection	ØD [mm]	ØE [mm]	A/F [mm]	H [mm]	H1 [mm]
<b>G20</b>	28	26	22	16.5	8.5
<b>G26</b>	35	30	27	19.5	8.5
<b>G33</b>	42	40	34	23.5	10.5
<b>G42</b>	52	50	44	29.5	11.5
<b>G48</b>	58	55	50	32.5	12

### LCC - T



Connection	ØD [mm]	ØE [mm]	A/F [mm]	H [mm]	H1 [mm]
<b>G13</b>	19	18.5	15	12.5	5
<b>G16</b>	21.5	21.5	17	14	5.5
<b>G20</b>	27	26	21	16.5	6
<b>G26</b>	33	32	26	19	7
<b>G33</b>	40	41	32	22.5	8