

# LCP GENERAL INFORMATION

## Technical data

### Visual oil level indicators

LCP is a range of plastic compact fluid level indicators, usually called spy eyes, for monitoring of the fluid level into the tank. They are directly fitted on the tank side.

Housings made of polyamide or steel can be selected, to meet every condition.

### Available features:

- Male threaded connections up to G 2"
- Baffle, to allow an easy monitoring of the level
- Expansion kit, for reliable sealing even in tanks with thin walls

### Common applications:

- Hydraulic systems
- Mobile machines
- Industrial equipment

### T Series

#### Weight

LCPG13	1 g
LCPG16	2 g
LCPG20	4 g
LCPG26	8 g
LCPG33	10 g
LCPG42	12 g

### Materials

- Body: Polyamide
- Contrast screen: Nylon
- Seals: NBR

### M Series

#### Weight

LCPG20	6 g
LCPG26	9 g
LCPG33	13 g

### Materials

- Body: Aluminium
- Lens: Thermoplastic
- Contrast screen: Nylon
- Seals: Inorganic fibre

### N Series

#### Weight

LCPG13	2 g
LCPG16	4 g
LCPG20	7 g
LCPG26	9 g
LCPG30	12 g
LCPG33	18 g
LCPG42	25 g
LCPG48	48 g
LCPG60	59 g

### Materials

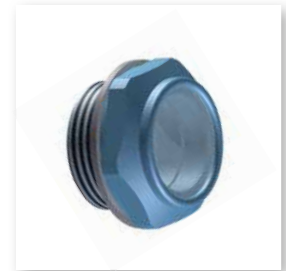
- Body: Nylon
- Lens: Thermoplastic
- Contrast screen: Nylon
- Seals: Inorganic fibre, NBR
- Expansion kit: Brass, NBR

### Temperature

From -20 °C to + 80 °C

### Quantity

25 pcs/pack



## Designation & Ordering code

### LCP

#### Series and size

#### LCP

Configuration example 1 : LCP G26 N S B S P01

Configuration example 2 : LCP G42 T S A P01

Configuration example 3 : LCP G20 M C A P01

#### Connections to the tank

Material:	N	T	M
<b>G13</b> Thread G 1/4"	•	•	
<b>G16</b> Thread G 3/8"	•	•	
<b>G20</b> Thread G 1/2"	•	•	•
<b>G26</b> Thread G 3/4"	•	•	•
<b>G33</b> Thread G 1"	•	•	•
<b>G42</b> Thread G 1 1/4"	•	•	
<b>G48</b> Thread G 1 1/2"	•		
<b>G60</b> Thread G 2"	•		

#### Material

**N** Black nylon      **T** Transparent polyamide      **M** Metal (aluminium)

#### Baffle

Material:	N						T						M		
Connection:	G13	G16	G20	G26	G33	G42	G48	G60	G13	G16	G20	G26	G33	G42	M
<b>S</b> Without	•	•	•	•	•	•	•	•	•	•	•	•	•	•	
<b>C</b> With baffle		•	•	•	•	•	•	•			•	•	•	•	

#### Seals

Material:	N		T	M
Expansion kit:	S	K		
<b>A</b> NBR		•	•	•
<b>B</b> Inorganic fiber	•			

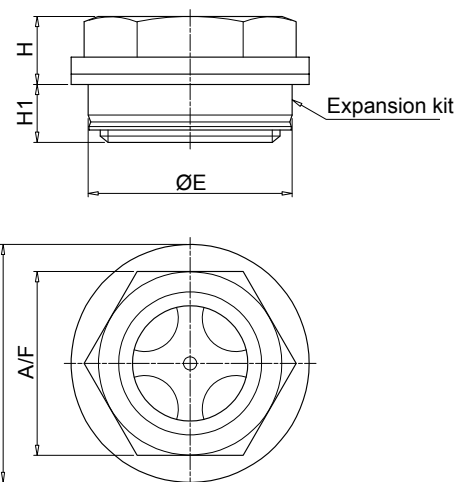
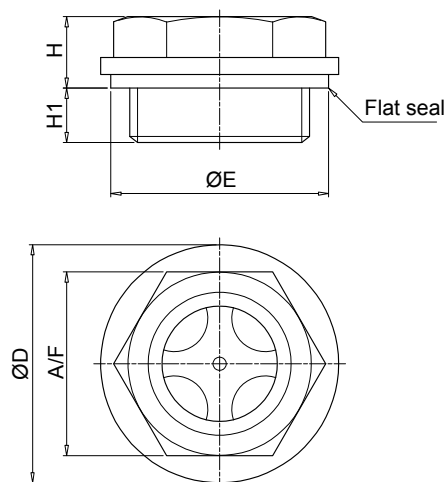
#### Expansion kit

Material:	N						T	M
Connection:	G13	G16	G20	G26	G33	G42	G48	G60
<b>S</b> Without	•	•	•	•	•	•	•	•
<b>K</b> With expansion kit		•	•	•	•	•		

#### Execution

**P01** MP Filtri standard  
**Pxx** Customized

### LCP - N



#### without expansion kit

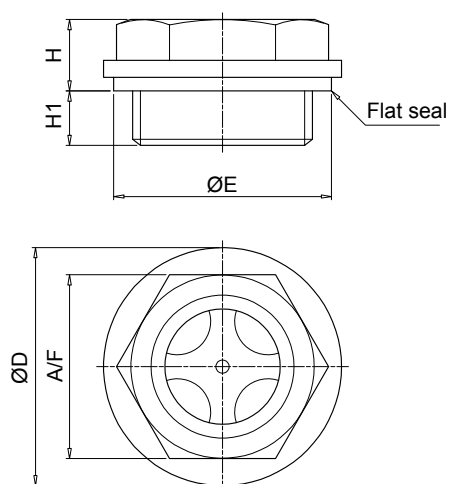
Connection	ØD [mm]	ØE [mm]	A/F [mm]	H [mm]	H1 [mm]
<b>G13</b>	20	18.5	17	9	7
<b>G16</b>	22	21.5	18	10	7
<b>G20</b>	28	26	22	10	7
<b>G26</b>	35	32	27	10.5	8
<b>G33</b>	42	41	34	13.5	10.5
<b>G42</b>	52	51	42	14	11
<b>G48</b>	58	53.5	47	16	11
<b>G60</b>	74	72	64	16	18

#### with expansion kit

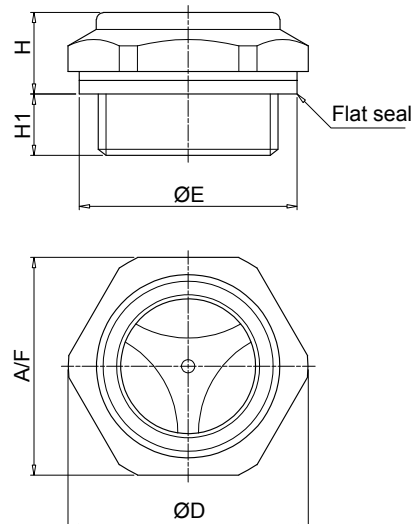
Connection	ØD [mm]	ØE [mm]	A/F [mm]	H [mm]	H1 [mm]
<b>G20</b>	28	26	22	9	8
<b>G26</b>	35	30	27	10	8.5
<b>G33</b>	42	40	34	13	11
<b>G42</b>	52	50	42	13.5	11.5
<b>G48</b>	58	55	47	15.5	11.5

**Note:** for installation onto OB Cleaning covers see page 147

### LCP - T



### LCP - M



Connection	ØD [mm]	ØE [mm]	A/F [mm]	H [mm]	H1 [mm]
<b>G13</b>	20	18.5	15	6.5	5
<b>G16</b>	22	21.5	17	7	5.5
<b>G20</b>	28	26	21	8	6
<b>G26</b>	33	32	26	8.5	7
<b>G33</b>	41	41	32	9	8
<b>G42</b>	52	51	42	14	11

Connection	ØD [mm]	ØE [mm]	A/F [mm]	H [mm]	H1 [mm]
<b>G20</b>	29.5	26	27	11	7
<b>G26</b>	35.5	32	32	12	9
<b>G33</b>	44.5	41	40	13	8

**Note:** for installation onto OB Cleaning covers see page 147