

SAW 115 GENERAL INFORMATION

Technical data

Air breathers & Filler plugs

Moisture control desiccant air breather

Max air flow up to 453 l/min

SAW is a range of desiccant breathers; they are products that combine the filtration of the solid contamination and the absorption of the free water contained into the air.

They are usually directly fitted on the tank; the filter layers remove the solid contamination while the desiccant agent holds the moisture contained in the air that enters into the tank as result of the tank breathing.

While in service or during shut-down, the desiccant agent dries the equipment, absorbing moisture from the reservoir.

Available features:

- Male threaded connections up to 1", for a maximum flow rate of 453 l/min
- Fine filtration rating, to get a good cleanliness level into the reservoir

Common applications:

Hydraulic systems, oil storage, tanks, transformers, renewable energy, Gearboxes.

Chemical Compatibility

Recommended:

- All Gear Oil
- Most Hydraulic Fluid
- Mineral and Synthetic Oil

Not Recommended:

- Phosphate Ester
- Hydrogen Sulphide
- Sulphuric Acid
- High Alkaline Cleaner

Flow rate Δp 0.02 bar

	Flow rate [l/min]
Filtration rating	03
SAW115	453

Materials

Connection: Nylon
Internal Support Pipe: Nylon
Screen: Polycarbonate
Cover: Nylon
Dryer Agent: Silica Gel

Filter Efficiency 3 μ m absolute ($B_3 \geq 200$)

Seals NBR

Temperature From -25 °C to +90 °C

Humidity Level Below Ambient Conditions

SAW115G03A00P01 : protects 30,000+ cycles

Deliquescent: Protects 5,000 cycles
(Testing parameters 23 °C, 30 l/min)

Silica Gel Weight

Lenght 1: 0.32 kg

Lenght 2: 0.56 kg

Lenght 3: 0.84 kg

Total Weight

Lenght 1: 0.60 kg

Lenght 2: 0.90 kg

Lenght 3: 1.20 kg



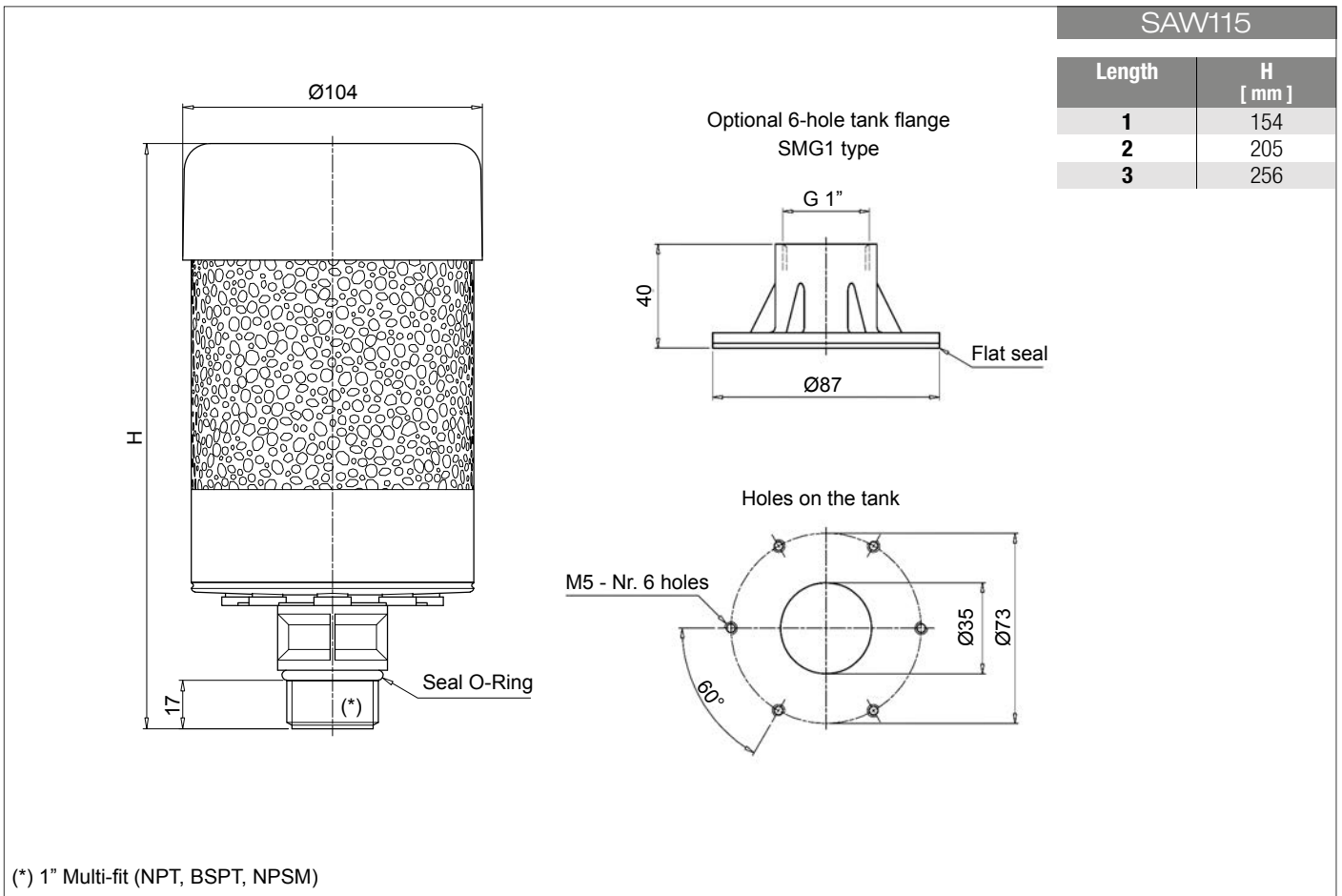
Designation & Ordering code

MOISTURE CONTROL DESICCANT BREATHER

Series and size	Configuration example 1 :	SAW115	1	G	03	A	0	0	P01
SAW115	Configuration example 2 :	SAW115	2	G	03	A	0	0	P01
	Configuration example 3 :	SAW115	3	G	03	A	0	0	P01
Length			1 2 3						
Connections to the tank				G					
				Thread 1"					
Filtration rating					03				
					Orange Silica Gel				
Seals						A			
						NBR			
Valve							0		
							Without valve		
Option								0	
								Standard	
Execution									P01
									MP Filtri standard
									Pxx
									Customized

ACCESSORIES

Series and size	Configuration example :	SMG1	S	A	P02
SMG Adapter Flange					
Connections to the tank					
			S		
			Without screws		
Seals					
			A		
			NBR		
Execution					P02
					MP Filtri standard



Silica gel

Active breather



Depleted breather



Silica gel is the most efficient and economic moisture adsorbent for general applications.

A white breather means the unit has done its job keeping moisture out of your lubricants.

Whenever the colour changes from orange to white it's time to replace the breather with a new one.

All breathers should be changed at least once a year.

IMPORTANT

Dispose of the exhausted silica gel according to the regulations in force in the country of use.



Air vent holes

Max hydraulic flow rate [l/min (cfm)]	Holes to open
up to 110 (4)	2
from 111 to 220 (4-8)	4
from 221 to 330 (8-12)	6
from 331 to 452 (12-16)	8

IMPORTANT INSTALLATION INFORMATION

- The air vent holes are plugged for any new breather
- The plugs protect the dryer agent during storage and shipment
- The plugs must be taken out during the installation, according to the max hydraulic flow rate

