

# ACCESSORIES

The range of products is completed by a number of accessories, including:

**Foot brackets**, which serve to support the motor-and-pump unit in the event that the selected electric motor does not have mounting feet.

**Damping rings**, intended mainly for use with motor-pump units positioned vertically and with the pump submerged in the oil tank.

**Inspection covers**, facilitating the maintenance of oil tanks in hydraulic power units, without necessarily having to dismantle the unit.

**Aluminium tanks** of 10 litres capacity, allowing the assembly of a compact hydraulic power unit.

## Technical specifications

### ACCESSORIES

#### Materials

- **Foot bracket**  
Pressure diecast aluminium alloy.
- **Damping ring**  
Vulcanized aluminium.
- **Inspection covers**  
Pressure diecast aluminium alloy.
- **Tanks**  
Pressure diecast aluminium alloy.

#### Temperature

- $-30^{\circ}\text{C} \div +80^{\circ}\text{C}$   
For temperatures outside this range,  
contact the MP Filtri Technical and Sales Department.



#### Compatibility with fluids

- **Modular bell-housing components compatible for use with:**

##### Mineral oils

Types HH-HL-HM-HR-HV-HG, to ISO 6743/4 standard

##### Water based emulsions

Types HFAE - HFAS, to ISO 6743/4 standard

##### Water glycol

Type HFC, to ISO 6743/4 standard

**Ask for anodized version**

#### Special Applications

- **Any applications not covered by the normal indications contained in this catalogue must be evaluated and approved by the MP Filtri Technical and Sales Department.**

# Inspection doors

These pressure diecast aluminium alloy doors offer superior mechanical strength and are manufactured to DIN 24339 standard. They provide easy access to the inside of the oil tank for inspection and cleaning purposes.

On request and for small quantities, to be agreed with MP Filtri Technical and Sales Department, inspection doors can be supplied with:

- Customer logo.
- Hole cut for visual level indicator.
- Hole cut for visual and electrical level indicator.
- Oil sample plug

## Technical specifications

### INSPECTION DOORS

#### Materials

- **Inspection cover**  
Pressure diecast aluminium alloy/cast iron
- **Seal**  
Oil-resistant rubber, Shore A hardness 70.

#### Temperature

- $-30^{\circ}\text{C} + 80^{\circ}\text{C}$   
For temperatures outside this range, contact the MP Filtri Technical and Sales Department.

#### Compatibility with fluids

- **Components compatible for use with:**
  - Mineral oils**  
Types HH-LL-HM-HR-HV-HC, to ISO 6743/4 standard
  - Water based emulsions**  
Types HFAE - HFAS, to ISO 6743/4 standard
  - Water glycol**  
Type HFC, to ISO 6743/4 standard
- **Ask for anodized version**

#### Special Applications

- **Any applications not covered by the normal indications contained in this catalogue must be evaluated and approved by the MP Filtri Technical and Sales Department.**

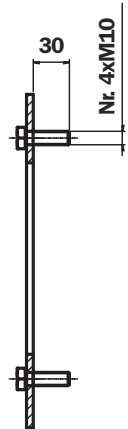
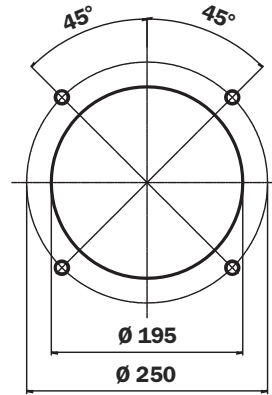
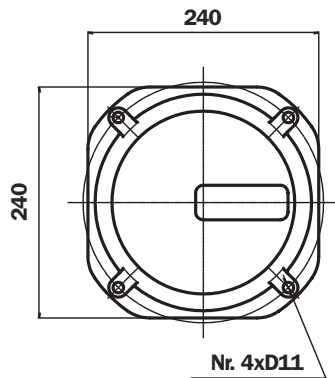
## Reminders for correct fitting of inspection covers

- **The thickness of the tank wall must be at least 4 mm or greater**
- **Observe the specified hole dimensions when drilling tank wall (see next page)**
- **Make certain that after welding stud screws or bolts, the tank wall does not present any noticeable deformation**
- **Thoroughly clean the surface of the wall on which the seal will be seated.**
- **Wet the seal with hydraulic oil to prevent the rubber from cracking**
- **Fit the seal carefully to the inspection cover**
- **Tighten the retaining nuts, torquing to 15 Nm**

# Inspection doors

## OB275

Tank wall fixing holes



**TABLE 48**

Code	Weight (kg)
Door with MP Filtri OB275P01	1,76
Blank door OB275P02	
Seal GU0275NBR	
Seal FPM GU2750VTN	

# OB350

Tank wall fixing holes

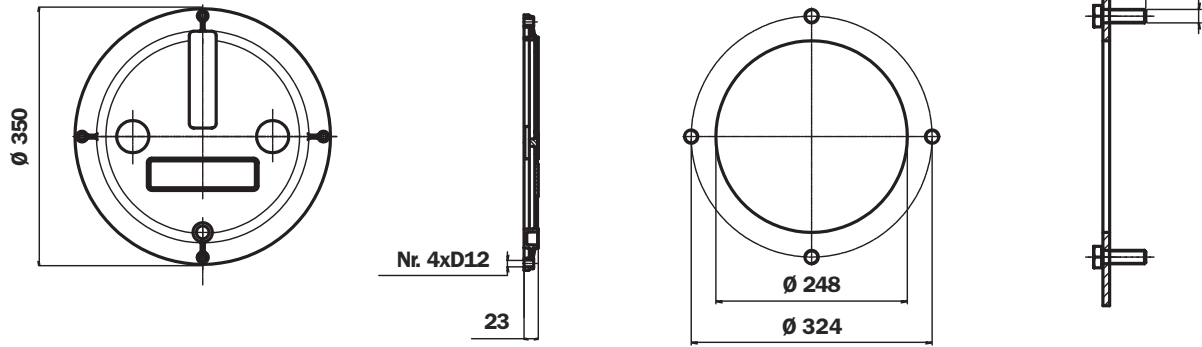


TABLE 49

Code	Weight (kg)
Door OB350DIN000	
Seal GU0350DINNBR	1,80
Seal FPM GU0350DINVTN	

# OB356

Tank wall fixing holes

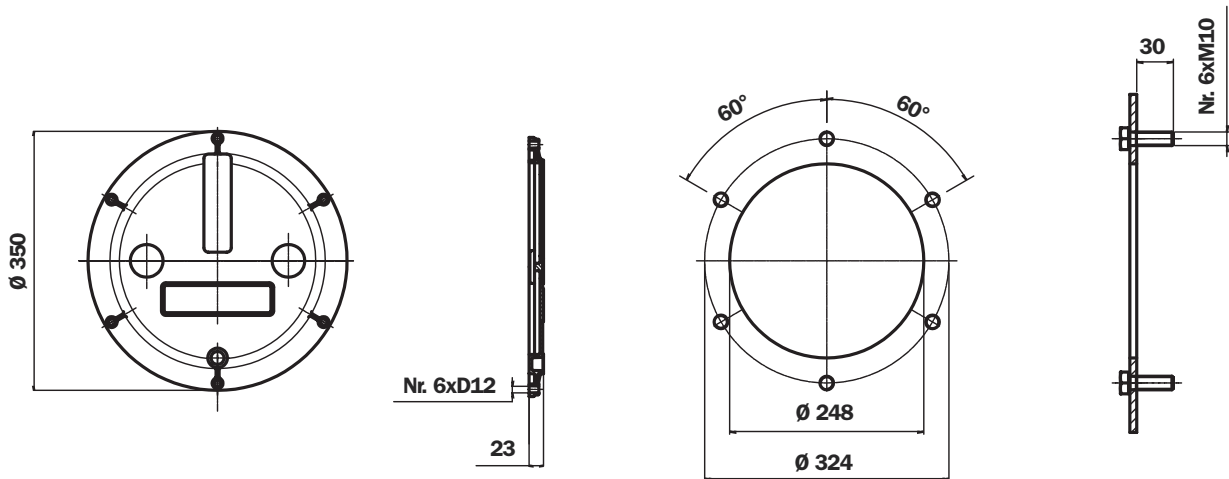


TABLE 50

Code	Weight (kg)
Door OB356DIN000	
Seal GU0350DINNBR	1,80
Seal FPM GU0350DINVTN	

# OB400

Tank wall fixing holes

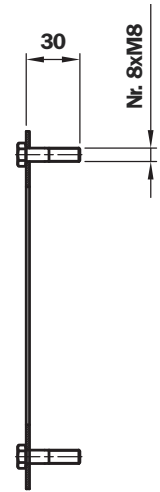
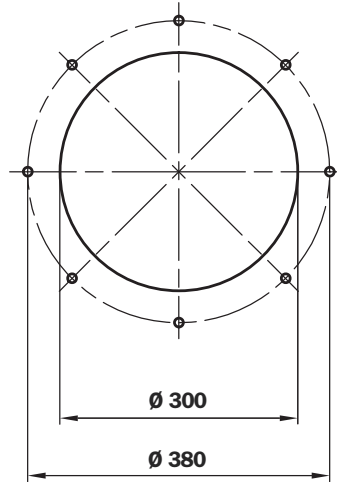
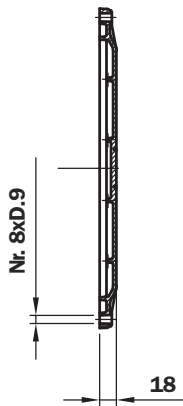
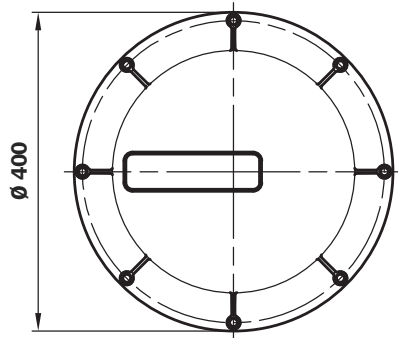


TABLE 51

Code	Weight (kg)
Door with MP Filtri OB400P01	2,90
Blank door OB400P02	
Seal GU0400DINNBR	
Seal FPM GU0400DINVTN	

# OB475

Tank wall fixing holes

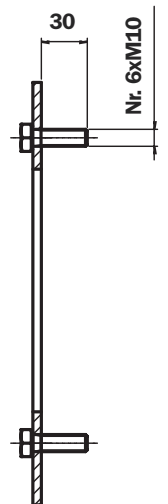
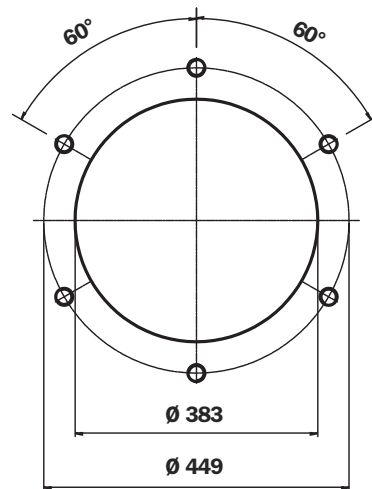
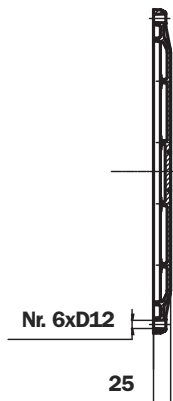
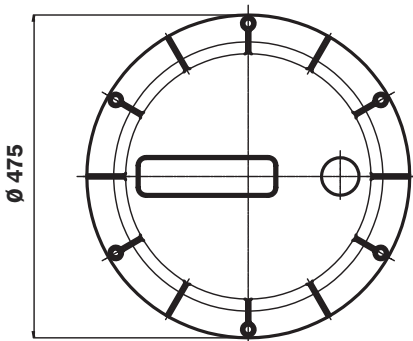
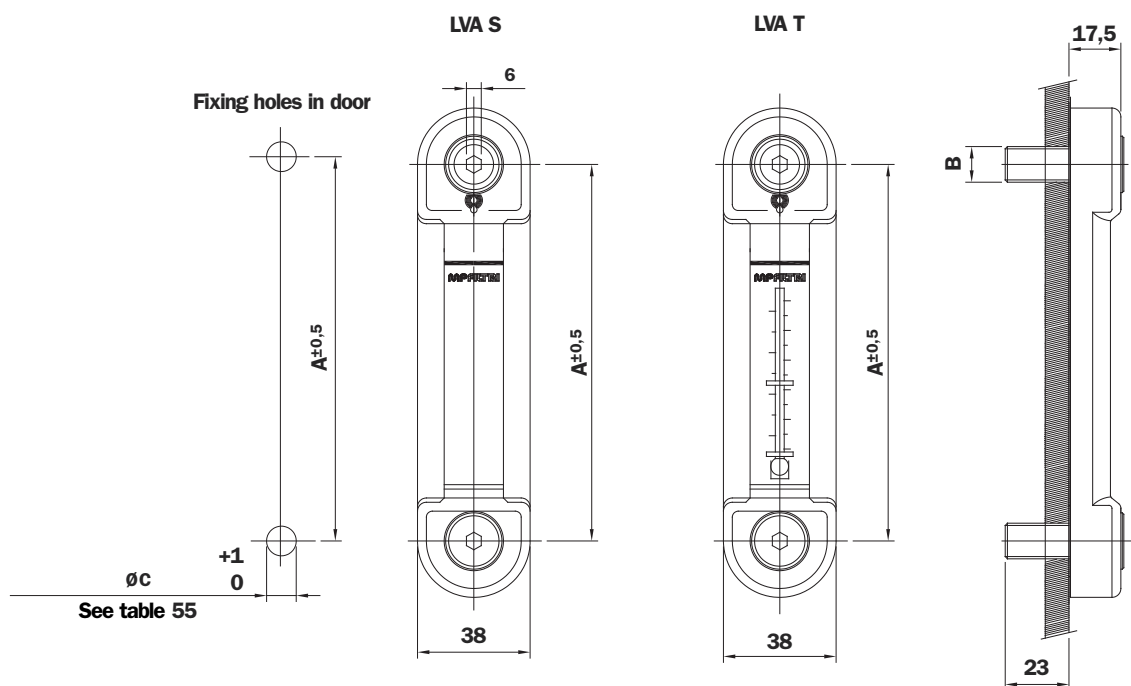
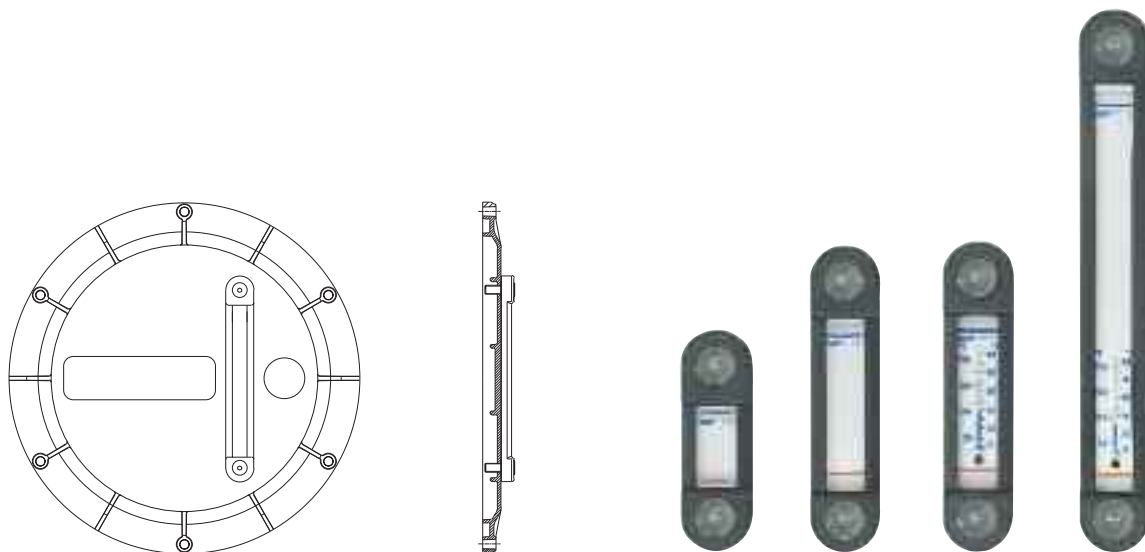


TABLE 52

Code	Weight (kg)
Door with MP Filtri OB475P01	3,40
Blank door OB475P02	
Seal GU0475DINNBR	
Seal FPM GU0475DINVTN	

# Inspection door options

## Visual level indicators LVA series



### Preparing for to fit the level on request

Code door	Code level
OB275**	LVA 10**
OB350**	LVA 10**
OB356**	LVA 20**
OB400**	LVA 10**
OB475**	LVA 20**
	LVA 30**

TABLE 55

Size	Dimensions		
	A	B	$\varnothing C$
LVA 10	76	M 10	11
LVA 20	127	M 12	13
LVA 30	254	M 12	13

### Materials:

Transparent amorphous polyamide lens  
Nylon guard  
Seals: Series A-NBR - Series V-FPM

**Operating pressure:** Max 1 bar at +80 °C

**Operating temperature:** From -25 °C to +80 °C

**Tightening torque:** 10 Nm max.

Mineral oils - Synthetic oils - Water base emulsions - Phosphoric esters