

Flow rate with Δp : 0,02 bar



SCS XXX C

Type	Filtration I _N /min	
	P10	A03
SCS 050	P10	550
	A03	515
	A10	530
SCS 070	P10	550
	A03	515
	A10	530
SCS 100	P10	1415
	A03	1300
	A10	1330
SCS 150	P10	1415
	A03	1300
	A10	1330



SCS XXX F

SCS (Materials)

Riser: Galvanised Steel

Weight

SCS050...G1: 0,200 Kg
 SCS050...G2: 0,265 Kg
 SCS100...G1: 0,450 Kg
 SCS100...G2: 0,645 Kg

Weight

CS/CG050: 0,73 Kg
 CS/CG070: 0,95 Kg
 CS100: 1,3 Kg
 CS150: 1,6 Kg
 CG100: 1,3 Kg
 CG150: 1,6 Kg

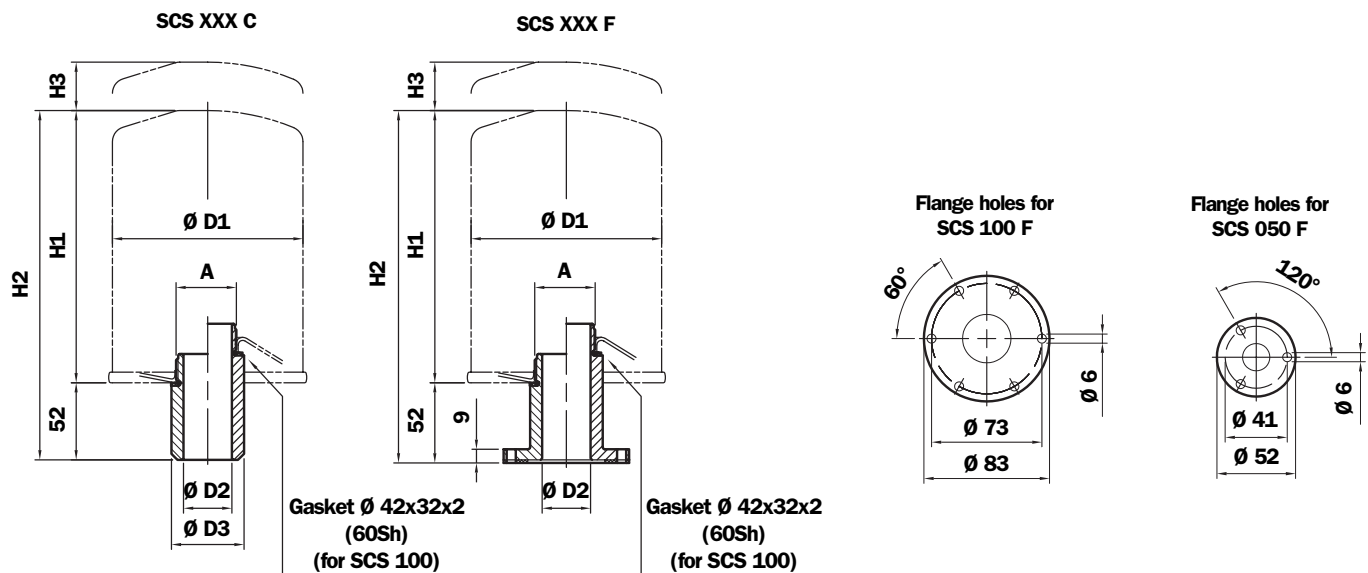
Dimensions SCS - CS - CG

Type	D1	H1	H2	H3
CS/CG050	96	143	195	20
CS/CG070	96	210	262	20
CS100	129	180	232	25
CS150	129	220	272	25
CG100	129	180	232	30
CG150	129	265	317	30

SCS Riser dimensions

Type	A	D2	D3
SCS050...G1	G 3/4"	18	32
SCS050...G2	1" 12 UN	18	32
SCS100...G1	G 1 1/4"	32	48
SCS100...G2	1 1/2" 16 UN	32	48

Dimensions



Ordering information

Breather filter	2	3	4	5	6	7
SCS	<input type="checkbox"/>	<input type="checkbox"/>	<input type="checkbox"/>	<input type="checkbox"/>	<input type="checkbox"/>	<input type="checkbox"/>
Example: SCS	050	F	G1	A10	A	P01
Riser only						
SCS	<input type="checkbox"/>	<input type="checkbox"/>	<input type="checkbox"/>	<input type="checkbox"/>	<input type="checkbox"/>	<input type="checkbox"/>
Example: SCS	050	F	G1	A	P01	
Filter element	<input type="checkbox"/>	<input type="checkbox"/>	<input type="checkbox"/>	<input type="checkbox"/>	<input type="checkbox"/>	<input type="checkbox"/>
Example:	CS	050	A10	A	P01	

1 - Filter element type

- CS** Connection ISO 228 for SCS.....G1
- CG** Connection A.S.A. for SCS.....G2

2 - Size

- 050**
- 070** Riser assembly excluded
- 100**
- 150** Riser assembly excluded

3 - Connection to reservoir

- C** Weld riser
- F** Flange riser

4 - Threaded connection

- G1** G 3/4" for SCS 050/070
G 1 1/4" for SCS 100/150

G1 with filter elements series CS

- G2** 1" - 12 UNF for SCS 050/070
1-1 1/2" UN for SCS 100/150

G2 with filter elements series CG

5 - Filter element

- A03** 3 µm - Microfibre
- A10** 10 µm - Microfibre
- P10** 10 µm - Impregnated paper

6 - Seal

- A** NBR
- V** FPM

7 - Options

- P01** MP Filtri standard