

Series SMF

Nylon angled flange



SMF (Materials)

1 - Flange: Nylon

2 - Seals: NBR

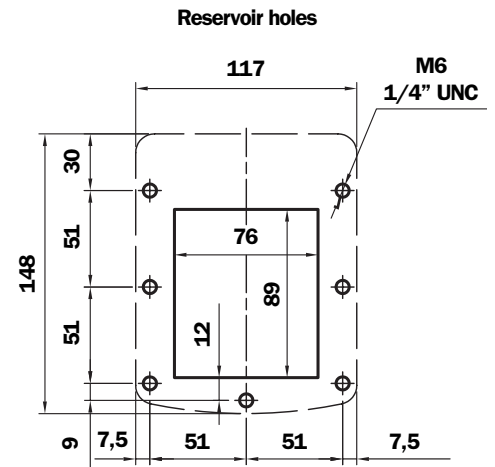
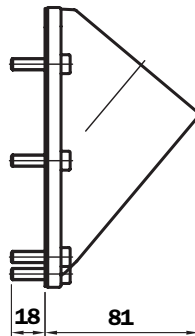
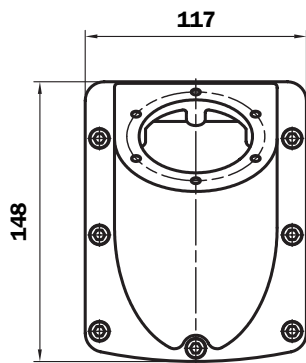
Cork gasket

3 - Screws: Galvanised/Phosphated Steel

Weight

SMF: 0,325 kg

Dimensions



Ordering information

SMF1

	1	2	3
	□	□	□
Example: SMF 1	M	A	P01

1 - Connection to reservoir

- M** Fixing with Metric screws
- U** Fixing with UNC screws

2 - Seal

- A** NBR
- B** Cork gasket

3 - Options

- P01** MP Filtri standard

Series SML

Aluminium angled flange



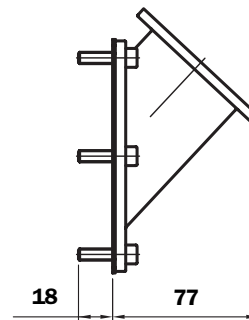
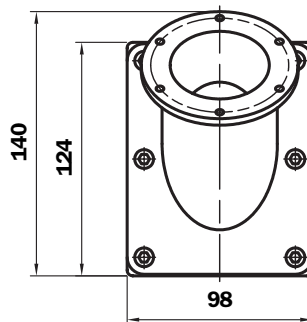
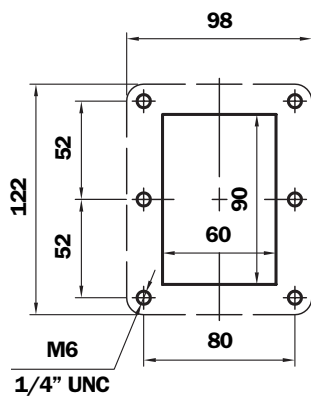
SML (Materials)

- 1** - Flange: Aluminium
- 2** - Screws: Phosphated Steel
- 3** - Seals: NBR
Cork gasket

Weight

SML: 0,380 Kg

Dimensions



Ordering information

SML1

Example: SML 1 **1** **2** **3**
 M A P01

1 - Connection to reservoir

- M** Fixing with Metric screws
- U** Fixing with UNC screws

2 - Seal

- A** NBR
- B** Cork gasket

3 - Options

- P01** MP Filtri standard

Series ATS

Universal adapter for filling to reservoir

Possible use with oil filter/air breather filler caps

type:

- TA 80

- TAP 90

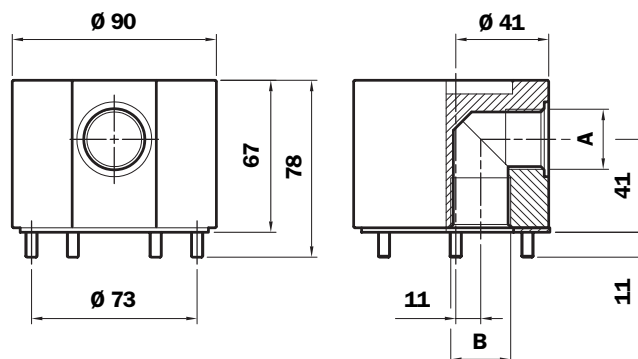
- TAP 115

- SCS 100 F

Dimensions



Adapter for Filler and breather plugs



ATS (Materials)

1 - Adapter: Anodised Aluminium

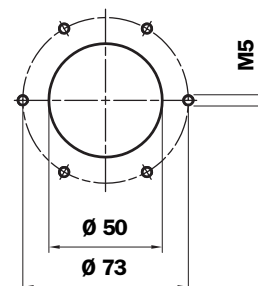
2 - Screws: Steel

3 - Seals: NBR
FPM
Cork Gasket

Weight

ATS: 1 Kg

Reservoir holes



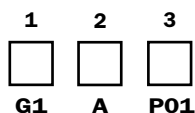
Connection	A	B
G1	G 3/4"	G 3/4"
G2	SAE 12	1 1/16" 12 UN

Ordering information

Adapter for filler caps

ATS 1

Example: ATS 1



1 - Connection

G1	G 3/4"
G2	SAE 20 (1 1/16" 12 UN)

2 - Seal

A	NBR
B	Cork gasket
V	FPM

3 - Options

P01	MP Filtri standard
-----	--------------------