

# Series TLP 114

## Nylon oil filler and air breather filler cap with electrical level indicator



### TLP 114 (Materials)

- 1 - Cover: Nylon
- 2 - Filter element: Resin impregnated cellulose
- 3 - Flange: Nylon
- 4 - Basket: Zinc Planted Steel
- 5 - Screws: Zinc Planted Steel
- 6 - Seals: NBR - FPM
- 7 - Level indicator

### Level sensor (Materials)

- Flange: Nylon
- Stem: AISI 304
- Float: Nylon

### General data

#### Temperature

- From -15°C to +80°C

#### Weight

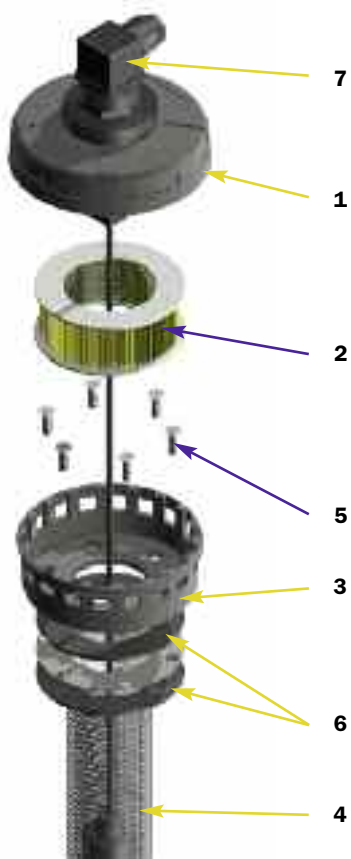
- TLP 114: 650 gr

#### Compatibility

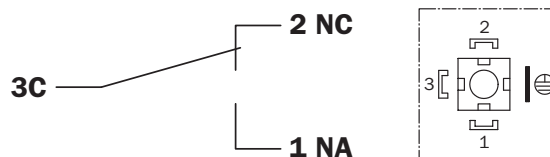
- Mineral/Sintetic oil

#### Flow rates with $\Delta p$ : 0,02 bar

Filtration	l/min
10 $\mu$ m	1450



Connector EN 175301-803 A/ISO 4400



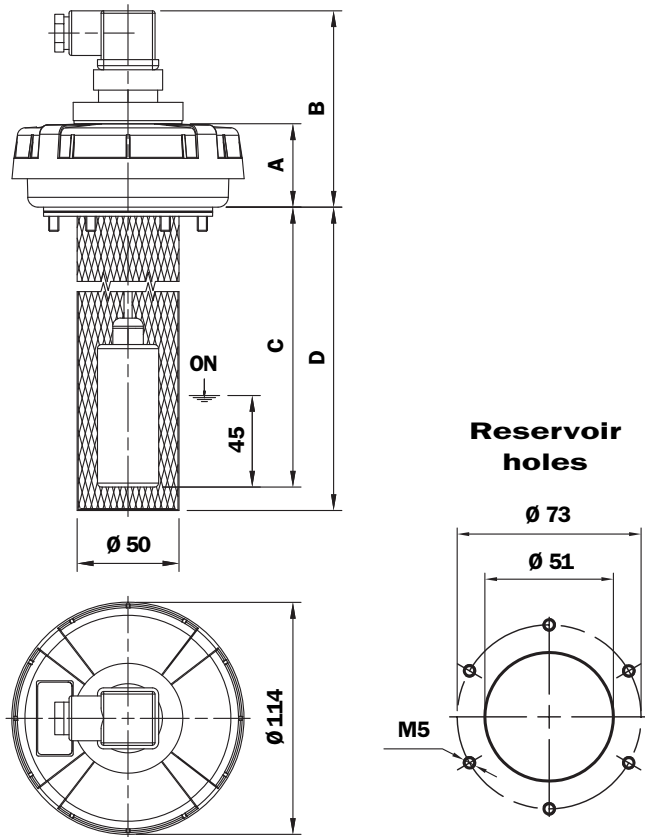
### Contact

- SPDT
- Protection degree: IP 65
- Max switchable capacity: 80 W (50 W SPDT)
- Max switchable current: 1 A
- Max switchable voltage: 250 Vac (220 W SPDT)
- Density of fluid: >0,75

### Contact

- Ground of level indicator is not connected

# Dimensions



# Change level sensor length



## TLP 114

Length filler cap	A mm	B mm	C mm	D mm
TLP114 1L 10x1P01	41	97	290	302
TLP114 1L 10x2P01	41	97	518	530
TLP114 2L 10x1P01	56	112	275	302
TLP114 2L 10x2P01	56	112	503	530
TLP114 3L 10x1P01	68	124	263	302
TLP114 3L 10x2P01	68	124	491	530

- A)** To screw out the nut
- B)** To extract the float
- C)** To shorten the rod
- D)** To re-assemble

# Ordering information

<b>Filler cap</b>	1	2	3	4	5	6
<b>TLP</b>	<input type="checkbox"/>	<input type="checkbox"/>	<input type="checkbox"/>	<input type="checkbox"/>	<input type="checkbox"/>	<input type="checkbox"/>
<b>Example: TLP</b>	<b>114</b>	<b>1</b>	<b>L10</b>	<b>A</b>	<b>1</b>	<b>P01</b>
<b>Filter element</b>	1	2	3	6		
<b>A</b>	<input type="checkbox"/>	<input type="checkbox"/>	<input type="checkbox"/>	<input type="checkbox"/>		
<b>Example: TLP</b>	<b>114</b>	<b>1</b>	<b>L10</b>	<b>P01</b>		

### 1 - Size

**114**

### 2 - Length

**1**  
**2**  
**3**

### 3 - Filter element

**L10** 10 µm - Impregnated paper

### 4 - Seal

**A** NBR  
**V** FPM

### 5 - Basket - Level

**1** With electric level indicator and basket L= 300 mm  
**2** With electric level indicator and basket L= 530 mm

### 6 - Option

**P01** MP filtri standard