

# Accessories



PDM A	Foot brackets	page 102
ANM A	Damping rings	103
MPDR PDMA - MPDR	Damping rods	104
OB	Cleaning covers	105
SE10	Aluminium tanks	111

## Technical data

The foot brackets are proportioned to support IEC Electric motors with B5 flange without feet.

The range is available from size 71 to size 180.

### Compatibility with fluids

- Mineral oils types HH-LL-HM-HR-HV-HC, to ISO 6743/4 standard
- Water based emulsions types HFAE-HFAS, to ISO 6743/4 standard
- Water glycol type HFC, to ISO 6743/4 standard: ask for anodized version

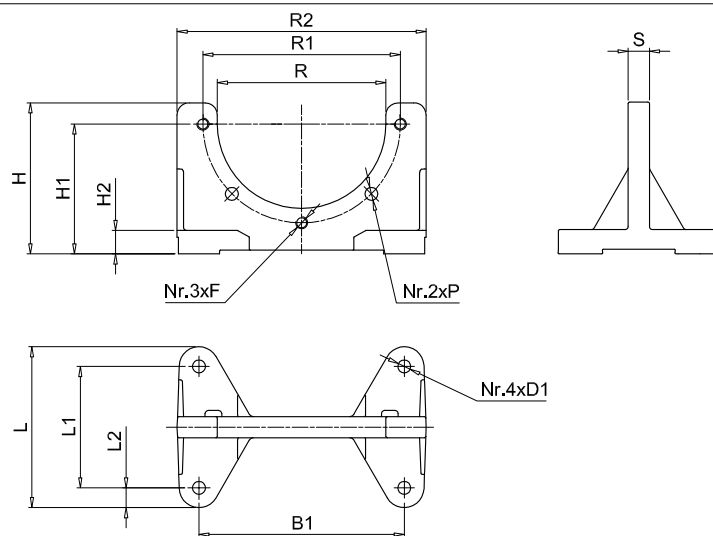
### Materials

Foot bracket: pressure die-cast aluminium alloy

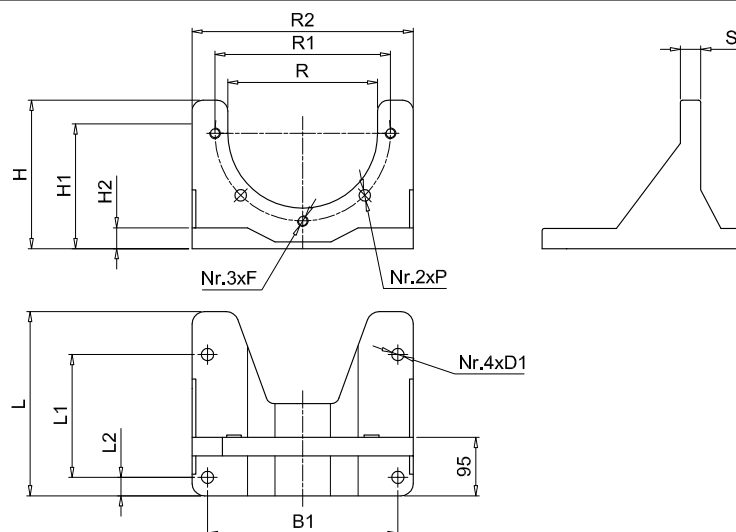
### Temperature

From -30 °C to +80 °C

## Dimensions



Foot bracket	Dimensions [mm]															Weight [kg]
	B	B1	R2	L	L1	L2	H	H1	H2	R	R1	S	P	D1	F	
<b>PDM A 160</b>	160	135	180	106	80	13	100	86	16	111	130	14	8.5	8.5	M8	0.45
<b>PDM A 200</b>	200	175	207	128	98	21	128	115	14	146	165	14	11.0	11.5	M10	0.60
<b>PDM A 250</b>	250	220	262	172	130	21	157	145	18	191	215	16	13.0	13.5	M12	1.20
<b>PDM A 300</b>	300	270	320	210	160	25	188	170	18	235	265	20	13.0	13.5	M12	1.80



Foot bracket	Dimensions [mm]															Weight [kg]
	B	B1	R2	L	L1	L2	H	H1	H2	R	R1	S	P	D1	F	
<b>PDM A 350</b>	350	310	360	300	200	30	220	200	30	261	300	30	18	13	M16	4.80

## Technical data

Positioned between the bell-housing motor flange and lid of the tank, they help to reduce the transmission of the vibrations and emission of noise generated by the system.

Damping rings provide a perfect hydraulic sealing actions by virtue of their special profile; damping rings are available for IEC electric motors from size 80 to size 180.

### Compatibility with fluids

- Mineral oils types HH-LL-HM-HR-HV-HC, to ISO 6743/4 standard
- Water based emulsions types HFAE-HFAS, to ISO 6743/4 standard
- Water glycol type HFC, to ISO 6743/4 standard: ask for anodized version

### Materials

Internal ring: pressure die-cast aluminium alloy  
External body: NBR 75 Shore A

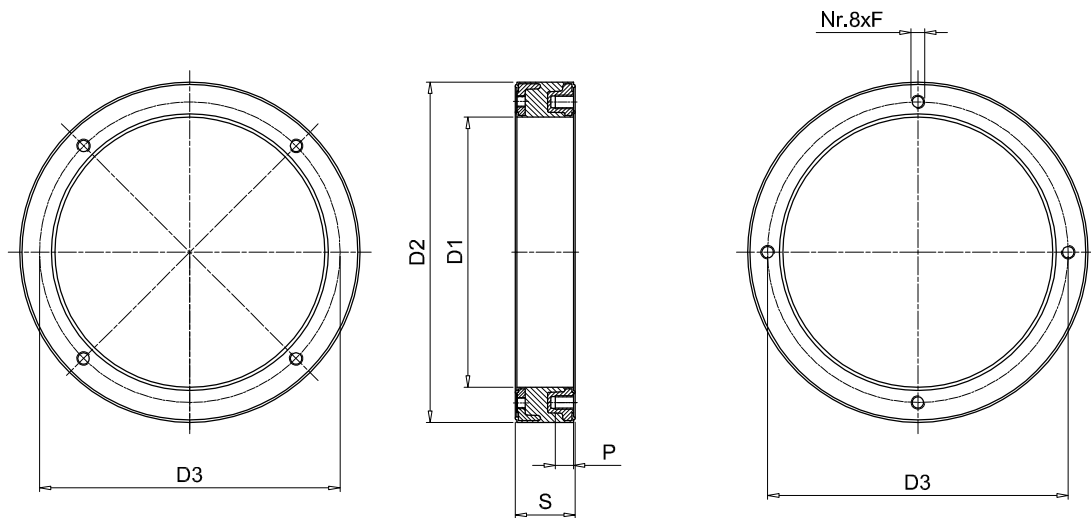
### Temperature

From -30 °C to +80 °C

### Special Applications

Any applications not covered by the normal indications contained in this catalogue must be evaluated and approved by MP Filtri Technical and Sales Department

## Dimensions



Code	Dimensions [mm]						Weight [kg]
	D1	D2	D3	S	F	P	
<b>ANM A 200</b>	144	200	165	43	M10	16	1.70
<b>ANM A 250</b>	191	250	215	48	M12	16	2.53
<b>ANM A 300</b>	238	300	265	53	M12	16	2.15
<b>ANM A 350</b>	260	350	300	62	M16	20	3.95

**Note:** For dimensions other than those indicated in the table, contact MP Filtri Technical and Sales Department

## Technical data

Damping rods are element to reduce the transmission of the vibrations and emission of noise generated of the system.

Damping rods are available for IEC Electric motors from size 71 to size 315L and for MP FILTRI foot bracket

### Compatibility with fluids

- Mineral oils types HH-LL-HM-HR-HV-HC, to ISO 6743/4 standard
- Water based emulsions types HFAE-HFAS, to ISO 6743/4 standard
- Water glycol type HFC, to ISO 6743/4 standard: ask for anodized version

### Materials

Plate: steel black colour  
Damping element: NBR 60 Shore A

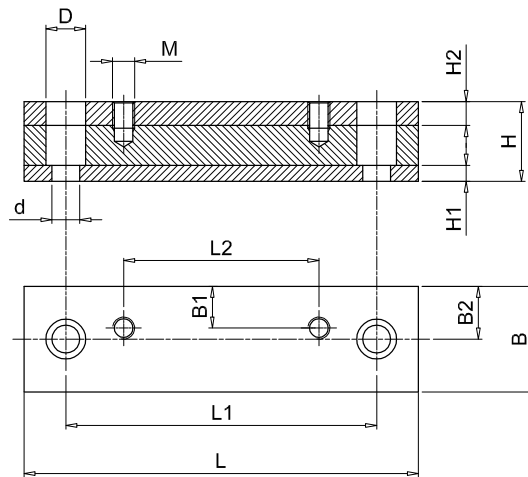
### Temperature

From -20 °C to +80 °C

### Special Applications

Any applications not covered by the normal indications contained in this catalogue must be evaluated and approved by the MP Filtri Technical and Sales Department

## Dimensions



Damping rods for foot brackets PDMA series.

For foot brackets see page 102

Code	Dimensions [mm]												Weight [kg]
	L	L1	L2	B	B1	B2	H	H1	H2	D	d	M	
MPDR PDMA160	196	156	80	50	21	25	40	8	12	20	14	M8	1.5
MPDR PDMA200	196	156	98	50	21	25	40	8	12	20	14	M10	1.5
MPDR PDMA250	240	205	130	50	24	25	40	8	12	20	14	M12	2.0
MPDR PDMA300	280	245	160	50	20	25	45	8	12	20	14	M12	2.5
MPDR PDMA350	446	400	200	70	35	35	60	15	15	26	14	M12	8.0

Damping rods for electrical motors UNEL-MEC

Code	Dimensions [mm]												Weight [kg]
	L	L1	L2	B	B1	B2	H	H1	H2	D	d	M	
MPDR 71	196	156	90	50	21	25	40	8	12	20	14	M6	1.5
MPDR 80	176	146	100	50	22	25	40	8	12	20	14	M8	1.7
MPDR 90S	196	156	100	50	24.5	25	40	8	12	20	14	M8	1.7
MPDR 90L	240	205	125	50	24	25	40	8	12	20	14	M8	2.0
MPDR 100L	240	205	140	50	22	25	40	8	12	20	14	M10	2.0
MPDR 132S	280	245	140	50	20	25	45	8	12	20	14	M10	2.5
MPDR 132M	280	245	178	50	20	25	45	8	12	20	14	M10	2.5
MPDR 160M	340	300	210	70	28	35	60	15	15	26	18	M12	6.0
MPDR 160L	416	370	254	70	28	35	60	15	15	26	18	M12	7.5
MPDR 180M	416	370	241	70	35	35	60	15	15	26	18	M12	7.5
MPDR 180L	446	400	279	70	35	35	60	15	15	26	18	M12	8.0
MPDR 200L	492	430	305	70	35	35	60	15	15	33	22	M16	8.9
MPDR 225S	492	430	286	70	35	35	60	15	15	33	22	M16	8.9
MPDR 225M	492	445	311	70	35	35	60	15	15	33	22	M16	8.9
MPDR 250M	492	445	349	100	50	50	60	15	15	33	22	M20	12.5
MPDR 280S	614	570	368	100	50	50	60	15	15	33	22	M20	15.1
MPDR 280M	614	570	419	100	50	50	60	15	15	33	22	M20	15.1
MPDR 315S	614	570	406	120	60	60	60	15	15	33	22	M24	26.5
MPDR 315M	614	570	457	120	60	60	60	15	15	33	22	M24	26.5
MPDR 315L	704	660	508	120	60	60	60	15	15	33	22	M24	29.2

## Technical data

These pressure die-cast aluminium alloy doors offer superior mechanical strength and are manufactured to DIN 24339 standard. They provide easy access to the inside of the oil tank for inspection and cleaning purposes.

On request and for small quantities, to be agreed with MP Filtri Technical and Sales Department, inspection doors can be supplied with:

- Customer logo.
- Hole cut for visual level indicator.
- Hole cut for visual and electrical level indicator.
- Oil sample plug

### Compatibility with fluids

- Mineral oils types HH-LL-HM-HR-HV-HC, to ISO 6743/4 standard
- Water based emulsions types HFAE-HFAS, to ISO 6743/4 standard
- Water glycol type HFC, to ISO 6743/4 standard: ask for anodized version

### Materials

Cleaning covers: pressure die-cast aluminium alloy / cast iron  
Seal: NBR 70 Shore A

### Temperature

From -30 °C to +80 °C

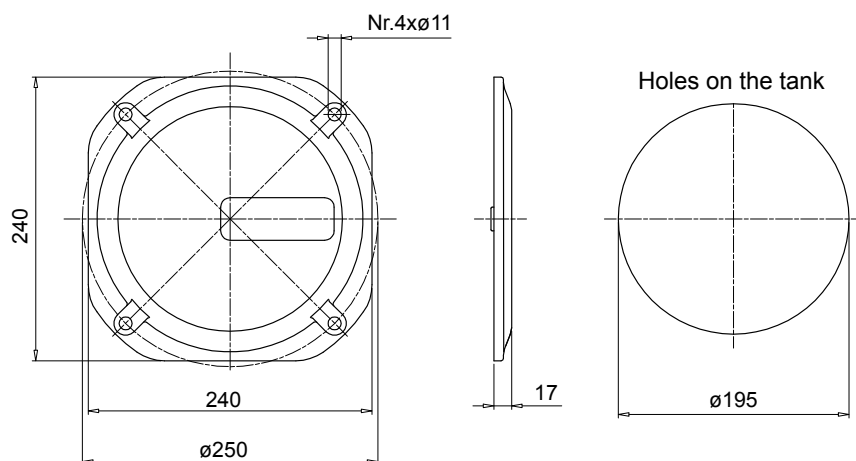
### Special Applications

Any applications not covered by the normal indications contained in this catalogue must be evaluated and approved by MP Filtri Technical and Sales Department

## Dimensions

Cleaning cover according to DIN 24339

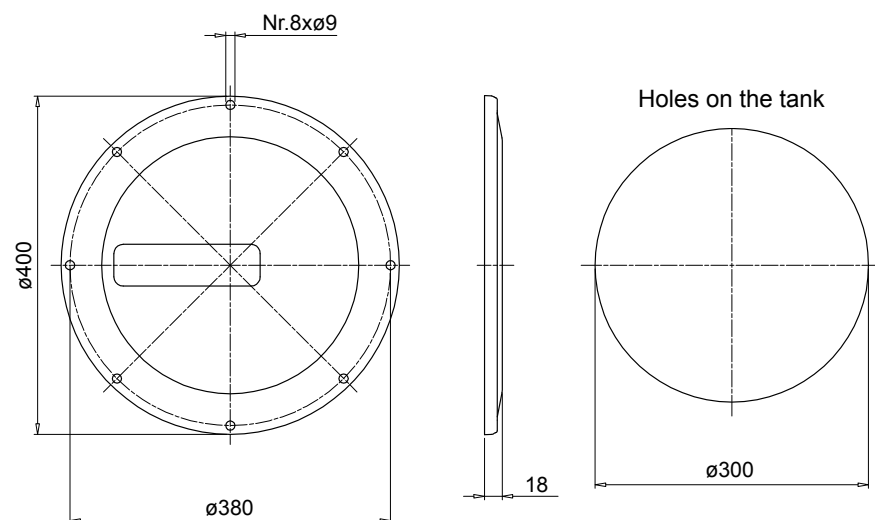
### OB275



Code	Description	Seal	Weight [kg]
<b>OB275P01GN</b>	Door with MP Logo	NBR	2.06
<b>OB275P02GN</b>	Blank cover	NBR	2.06
<b>OB275P01GV</b>	Door with MP Logo	FPM	2.06
<b>OB275P02GV</b>	Blank cover	FPM	2.06

Code	Description	Weight [kg]
<b>OB275P01</b>	Door with MP Logo	1.76
<b>OB275P02</b>	Blank cover	1.76
<b>GU0275NBR</b>	Seal	1.76
<b>GU0275VTN</b>	Seal	1.76

### OB400

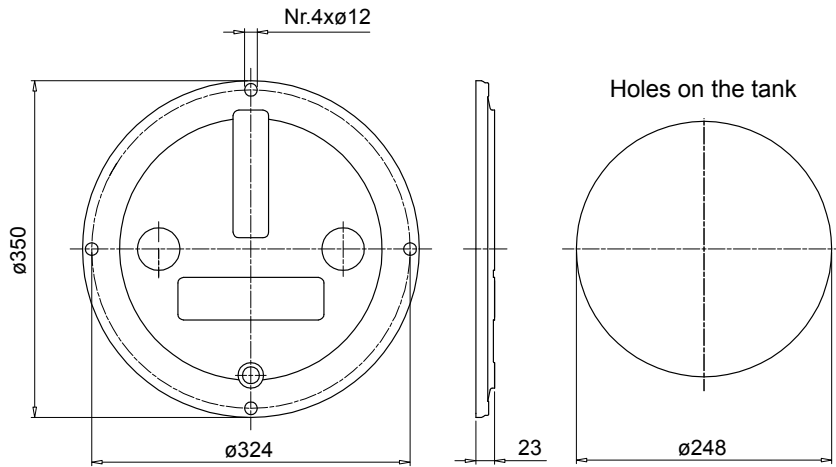


Code	Description	Seal	Weight [kg]
<b>OB400P01GN</b>	Door with MP Logo	NBR	3.20
<b>OB400P02GN</b>	Blank cover	NBR	3.20
<b>OB400P01GV</b>	Door with MP Logo	FPM	3.20
<b>OB400P02GV</b>	Blank cover	FPM	3.20

Code	Description	Weight [kg]
<b>OB400P01</b>	Door with MP Logo	2.90
<b>OB400P02</b>	Blank cover	2.90
<b>GU0400DINNBR</b>	Seal	2.90
<b>GU0400DINVTN</b>	Seal	2.90

## Dimensions

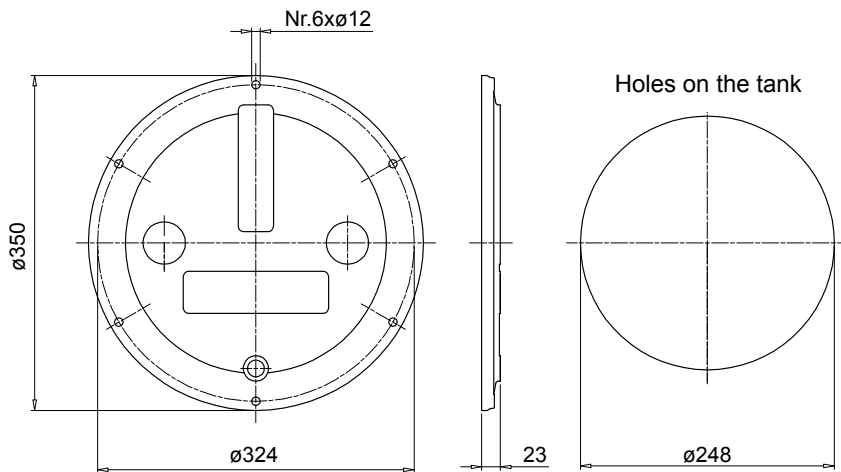
### OB350



Code	Description	Seal	Weight [kg]
<b>OB350P01GN</b>	Door with MP Logo	NBR	2.10
<b>OB350P02GN</b>	Blank cover	NBR	2.10
<b>OB350P01GV</b>	Door with MP Logo	FPM	2.10
<b>OB350P02GV</b>	Blank cover	FPM	2.10

Code	Description	Weight [kg]
<b>OB350DIN000</b>	Door	1.80
<b>GU0350DINNBR</b>	Seal	1.80
<b>GU0350DINVTN</b>	Seal	1.80

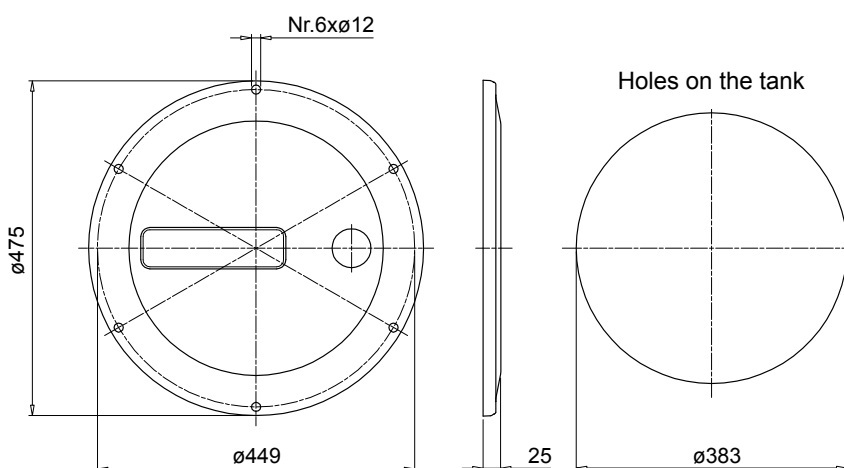
### OB356



Code	Description	Seal	Weight [kg]
<b>OB356P01GN</b>	Door with MP Logo	NBR	2.10
<b>OB356P02GN</b>	Blank cover	NBR	2.10
<b>OB356P01GV</b>	Door with MP Logo	FPM	2.10
<b>OB356P02GV</b>	Blank cover	FPM	2.10

Code	Description	Weight [kg]
<b>OB356DIN000</b>	Door	1.80
<b>GU0350DINNBR</b>	Seal	1.80
<b>GU0350DINVTN</b>	Seal	1.80

### OB475



Code	Description	Seal	Weight [kg]
<b>OB475P01GN</b>	Door with MP Logo	NBR	3.70
<b>OB475P02GN</b>	Blank cover	NBR	3.70
<b>OB475P01GV</b>	Door with MP Logo	FPM	3.70
<b>OB475P02GV</b>	Blank cover	FPM	3.70

Code	Description	Weight [kg]
<b>OB475P01</b>	Door with MP Logo	3.40
<b>OB475P02</b>	Blank cover	3.40
<b>GU0475DINNBR</b>	Seal	3.40
<b>GU0475DINVTN</b>	Seal	3.40

## Visual level indicators LVA series

### Technical data

#### Materials

Transparent amorphous polyamide lens  
Nylon guard  
Seal: Series A-NBR - Series V-FPM

#### Operating pressure

Max 1 bar at +80°C

#### Operating temperature

From -25 °C to +80 °C

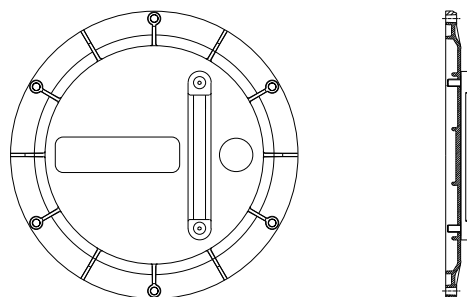
#### Tightening torque

10 N·m max.

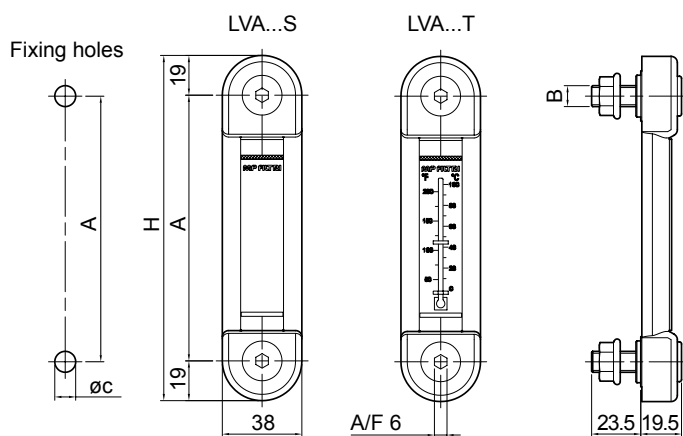
Mineral oils  
Synthetic oils  
Water base emulsions  
Phosphoric esters



### Installation



### Dimensions



Size	A [mm]	H [mm]
<b>LVA 10</b>	76	114
<b>LVA 20</b>	127	165
<b>LVA 30</b>	254	292

Type	B [mm]	C [mm]
<b>LVA...M10</b>	M10	10.5
<b>LVA...M12</b>	M12	12.5
<b>LVA...U38</b>	3/8" UNC	10.0
<b>LVA...U12</b>	1/2" UNC	13.5

#### Packaging

Type	Nr. pieces per pack
<b>LVA</b>	10

#### Preparing to fit the level on request

Indicator code	OB275**	OB350**	OB356**	OB400**	OB475**
<b>LVA 10**</b>	•	•	•	•	•
<b>LVA 20**</b>		•	•	•	•
<b>LVA 30**</b>				•	•

## Electrical float level indicators LEG series

### Technical data

LEG series electrical level indicators are supplied with a 3-hole fixing flange and a reed switch having NC-NO contacts.

Designed typically for installation on the vertical walls of oil tanks, these instruments can also be mounted to inspection doors of the OB475 series as indicators of minimum and maximum oil levels in the tank.

### Warning

To operate correctly, the float must be positioned vertically and at a minimum distance of 35 mm from walls made of ferrous metal.

To change the contact from NC to NO, simply turn the float upside down.

The electrical properties indicated are referred to resistive loads; for capacitive and inductive loads and incandescent lamps, use protection circuits.

### DIN 43650 CONNECTOR

#### Materials

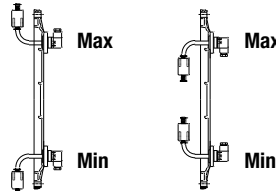
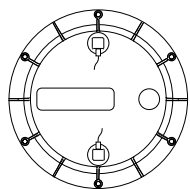
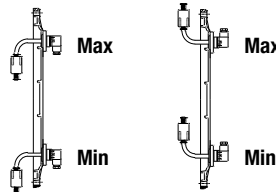
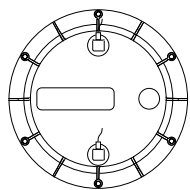
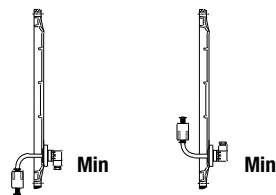
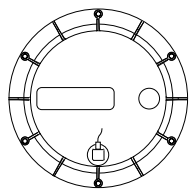
- Flange: aluminum
- Rod: brass
- Float: nylon foam
- Seals: A= NBR - V= FPM

#### Temperature

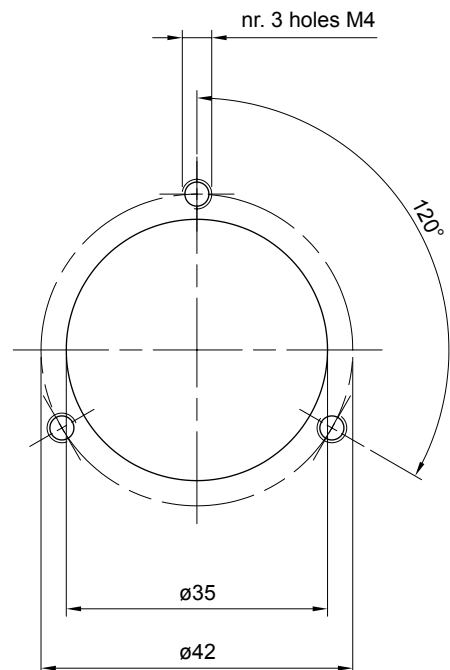
From -15 °C to +80 °C

For temperatures outside this range, contact MP Filtri Technical and Sales Department

### Installation



Layout of fixing holes for LEG level indicator



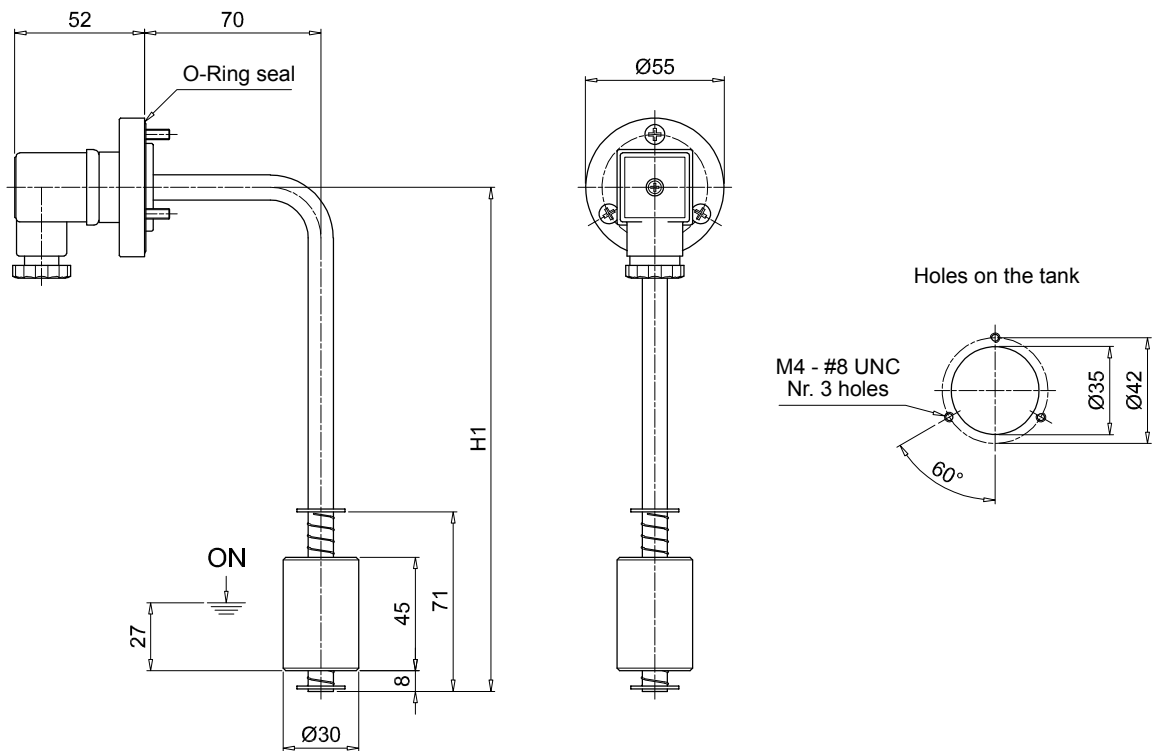
**Note:** Arrange the holes according to the position of the level indicator

Prepared for visual indicator - on request

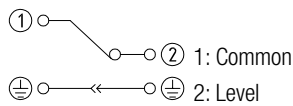


Dimensions

Size	H 1 [mm]	Weight [kg]
<b>LEG 102</b>	103	0.19
<b>LEG 200</b>	200	0.22



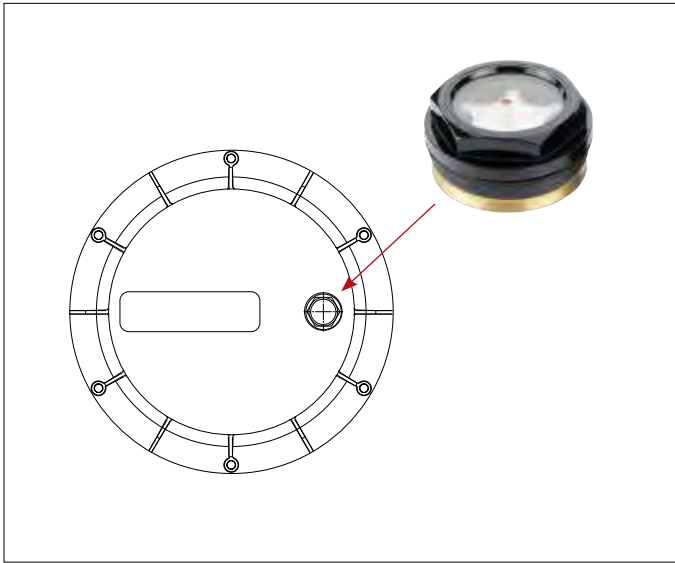
LEG 1 Float



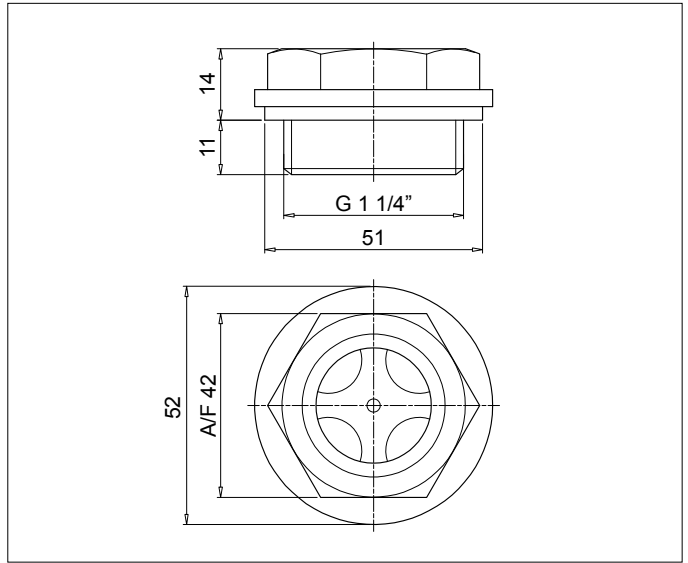
To invert the contact status from NO to NC and vice versa, simply invert the float.

Visual level indicators code LCPG42N...S

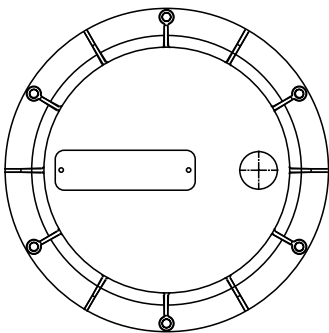
## Installation



## Dimensions



## Available customization



Nameplate with customer logo  
Ordering information: **OB475LOGOP05**

The nameplates applied to the new inspection door are identical to those applied to the old door. The difference with the new door is that nameplates are fixed with rivets.

**For ordering information codes, minimum order quantities, fixing hole positions and other details not indicated in this publication, contact MP Filtri Technical and Sales Department.**

## Technical data

Made of pressure die-cast aluminium alloy, these tanks feature superior strength and optimum design and are ideal for compact hydraulic power units.

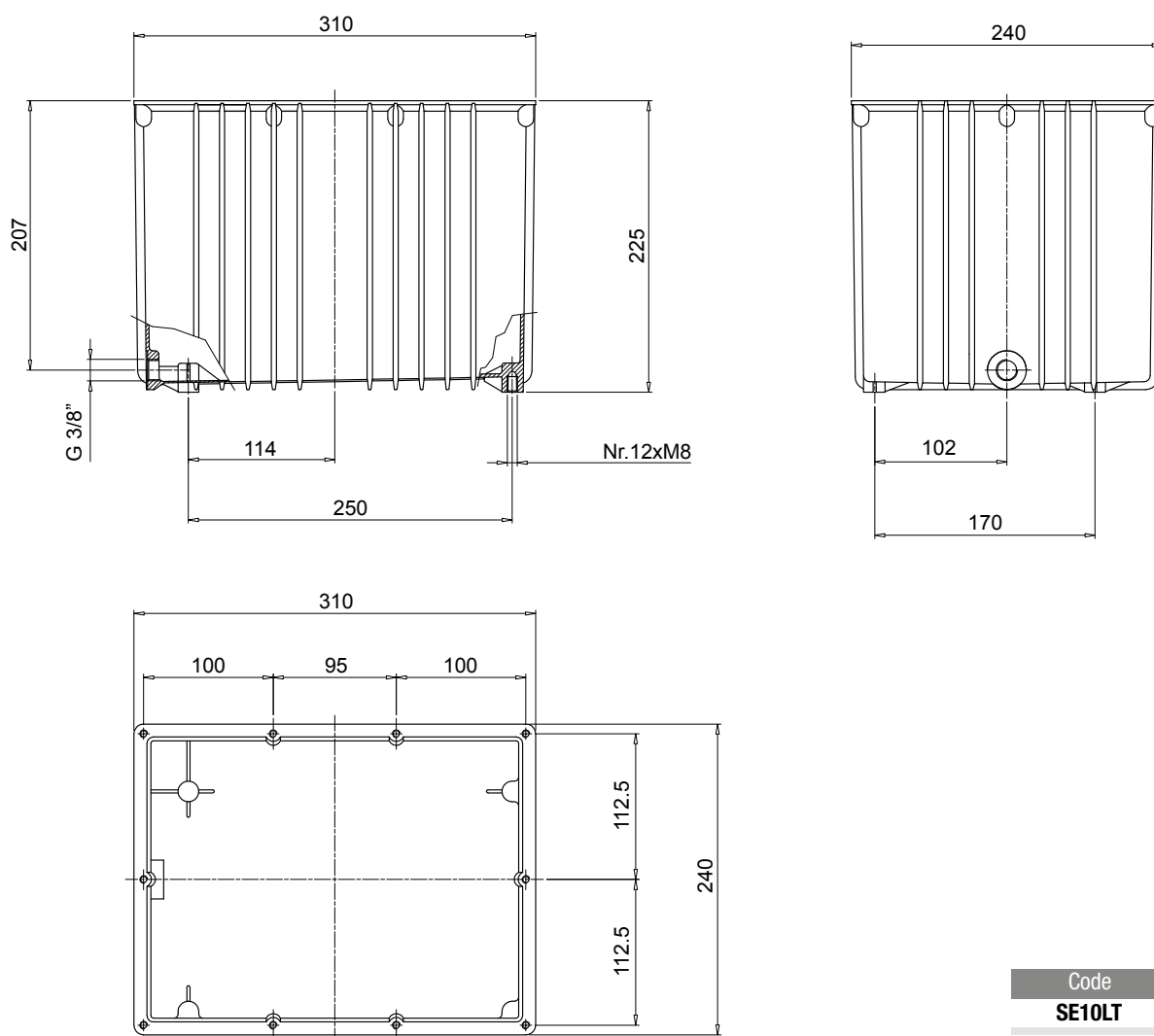
Generously proportioned fins ensure efficient cooling.

The tank is supplied with:

- M6 threaded fixing holes for lid
- feet with M8 threaded fixing holes
- G 3/8" threaded drain hole

The lid is sealed by a gasket made of special paper, which must be ordered separately indicating code "GUS 10.0".

## Dimensions



Code	Weight [kg]
<b>SE10LT</b>	4.0