

MULTI-COMPONENTS

IEC electric motor range from size 132 up to size 355



Technical data

Modular Bell-Housing Components - IEC electric motor range from size 132 up to size 355

Materials

- Base module: Pressure die-cast aluminium alloy
- Pump flange: Aluminium alloy
- Intermediate adapter: Aluminium alloy.
- Screw kit: Steel
- Gaskets: Special paper (Guarnital)

Compatibility with fluids

Modular bell-housing components compatible for use with:

- Mineral oils types HH-LL-HM-HR-HV-HC, to ISO 6743/4 standard
- Water based emulsions types HFAE-HFAS, to ISO 6743/4 standard
- Water glycol type HFC, to ISO 6743/4 standard: ask for anodized version

Special Applications

Any applications not covered by the normal indications contained in this catalogue must be evaluated and approved by MP Filtri Technical and Sales Department

Temperature

From -30 °C to +80 °C

Note

For temperatures outside this range, contact MP Filtri Technical and Sales Department



GENERAL INFORMATION MULTI-COMPONENTS

BMC

Bell-Housing size	Flange ISO 3019-2							IEC Motors size	
	50 B2-B4	63 B2-B4	80 B2-B4	100 B2-B4	125 B2-B4	160 B2-B4	200 B2-B4		
BMC200	●	●	●	●					IEC 80 ø 200 - ø 19x40
BMC200	●	●	●	●					IEC 90 ø 200 - ø 24x50
BMC250	●	●	●	●	●				IEC 100 ø 250 - ø 28x60
BMC250	●	●	●	●	●				IEC 112 ø 250 - ø 28x60
BMC300			●	●	●	●			IEC 132 ø 300 - ø 38x80
BMC350			●	●	●	●			IEC 160 ø 350 - ø 42x110
BMC350			●	●	●	●	●		IEC 180 ø 350 - ø 48x110
BMC400			●	●	●	●	●	●	IEC 200 ø 400 - ø 55x110
BMC450			●	●	●	●	●	●	IEC 225 ø 450 - ø 60x140

Bell-Housing size	Flange SAE J 744										IEC Motors size		
	50-2 (A-A)	82-2 (A)	101-2 (B)	127-2 (C)	152-2 (D)	165-2 (E)	101-4 (B)	127-4 (D)	152-4 (D)	165-4 (E)			
BMC200	●	●											IEC 80 ø 200 - ø 19x40
BMC200	●	●											IEC 90 ø 200 - ø 24x50
BMC250	●	●	●				●						IEC 100 ø 250 - ø 28x60
BMC250	●	●	●	●			●						IEC 112 ø 250 - ø 28x60
BMC300		●	●	●			●	●					IEC 132 ø 300 - ø 38x80
BMC350		●	●	●			●	●					IEC 160 ø 350 - ø 42x110
BMC350		●	●	●	●		●	●	●				IEC 180 ø 350 - ø 48x110
BMC400		●	●	●	●	●	●	●	●	●			IEC 200 ø 400 - ø 55x110
BMC450			●	●	●	●	●	●	●	●			IEC 225 ø 450 - ø 60x140

BMT

Bell-Housing size	Flange ISO 3019-2							IEC Motors size	
	50 B2-B4	63 B2-B4	80 B2-B4	100 B2-B4	125 B2-B4	160 B2-B4	200 B2-B4		
BMT300			●	●	●	●			IEC 132 ø 300 - ø 38x80
BMT350			●	●	●	●			IEC 160 ø 350 - ø 42x110
BMT350			●	●	●	●	●		IEC 180 ø 350 - ø 48x110
BMT400			●	●	●	●	●	●	IEC 200 ø 400 - ø 55x110
BMT450			●	●	●	●	●	●	IEC 225 ø 450 - ø 60x140
BMT550						●	●	●	IEC 250 ø 550 - ø 65x140
BMT550						●	●	●	IEC 280 ø 550 - ø 75x140
BMT660						●	●	●	IEC 315 ø 660 - ø 80x170
BAD800						●	●	●	IEC 355 ø 800 - ø 95x210

Bell-Housing size	Flange SAE J 744										IEC Motors size		
	50-2 (A-A)	82-2 (A)	101-2 (B)	127-2 (C)	152-2 (D)	165-2 (E)	101-4 (B)	127-4 (D)	152-4 (D)	165-4 (E)			
BMT300		●	●	●			●	●					IEC 132 ø 300 - ø 38x80
BMT350		●	●	●			●	●					IEC 160 ø 350 - ø 42x110
BMT350		●	●	●	●		●	●	●				IEC 180 ø 350 - ø 48x110
BMT400		●	●	●	●	●	●	●	●	●			IEC 200 ø 400 - ø 55x110
BMT450			●	●	●	●	●	●	●	●			IEC 225 ø 450 - ø 60x140
BMT550				●	●	●		●	●	●			IEC 250 ø 550 - ø 65x140
BMT550				●	●	●		●	●	●			IEC 280 ø 550 - ø 75x140
BMT660				●	●	●		●	●	●			IEC 315 ø 660 - ø 80x170
BAD800				●	●	●		●	●	●			IEC 355 ø 800 - ø 95x210

MULTI-COMPONENTS

Designation & Ordering code

BMC

1 Motor base series and size			Configuration example: BMC200A1001	DI
BMC200A1001	BMC300A1551	BMC400A2016		
BMC200A1251	BMC300A1555	BMC450A2507		
BMC250A1141	BMC300A1705			
BMC250A1361	BMC350A1945			
	BMC350A1946			
BMT300A0805	BMT550A21567			
BMT350A1105	BMT660A25067			
BMT400A1106	BAD800A2707			
BMT450A1406				

Options	
DI	Drain hole + inspection hole
AN	Black anodized finish
SA	Clearance holes at motor interface
Pxx	Customer specification

2 Intermediate adapter series and size			Configuration example: AD60465	AN
AD60465				
AD50385				
AD60466				
AD50386				
AD50467				
AD60467				

Options	
AN	Black anodized finish
Pxx	Customer specification

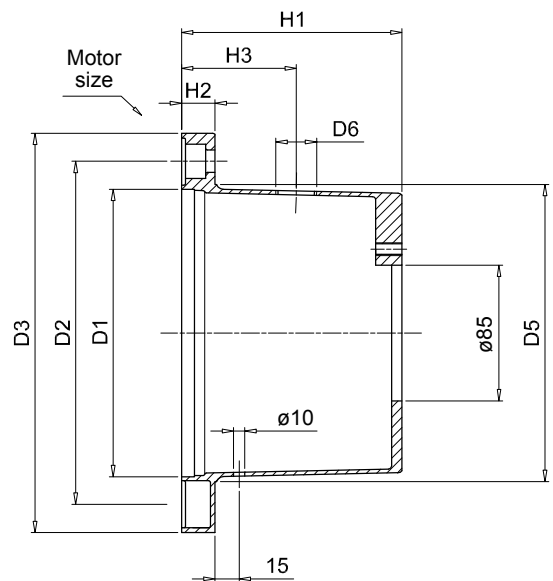
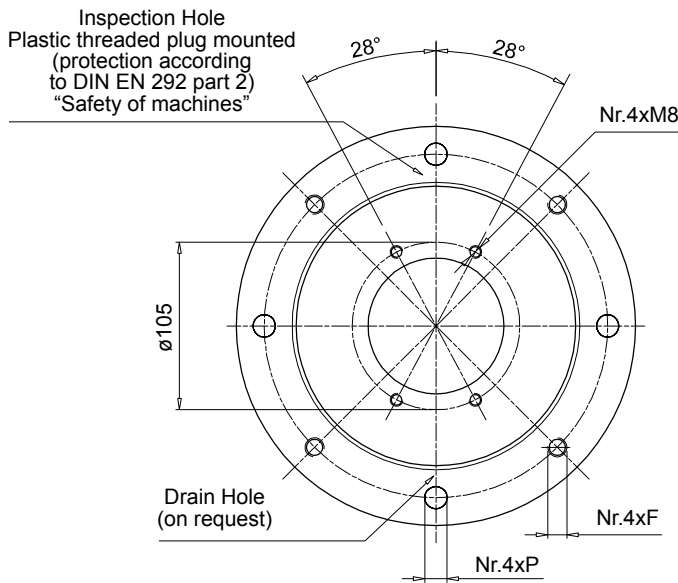
3 Pump flange series and size				Configuration example: FP5026	070	AN
FR1023	FP5026	FP6032	FP7052			
FR1025	FP5032	FP6045	FP7066			
FR1033	FP5035	FP6058	FP7069			
FR1035	FP5045	FP6070	FP7086			
FR1040	FP5056	FP6082	FP70111			
FR1079	FP5063	FP6086				
	FP5091	FP60101				
		FP60110				

Pump interface codes	
070	See page 48

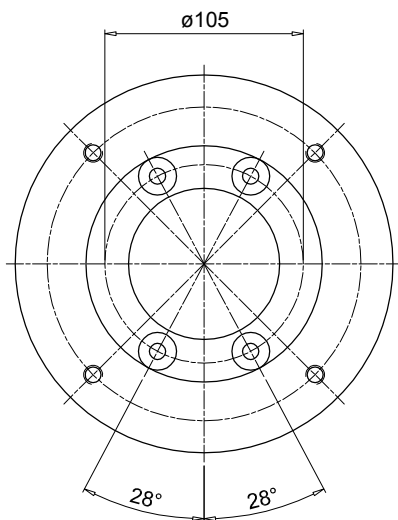
Options	
FG	Holes rotated through 45° in relation to standard position
DP	Double set of hole
AN	Black anodized finish
Pxx	Customer specification

Options	
Mounting kit code series and size	
KVG1	
KVG5	
KVG6	See page 99
KVG7	

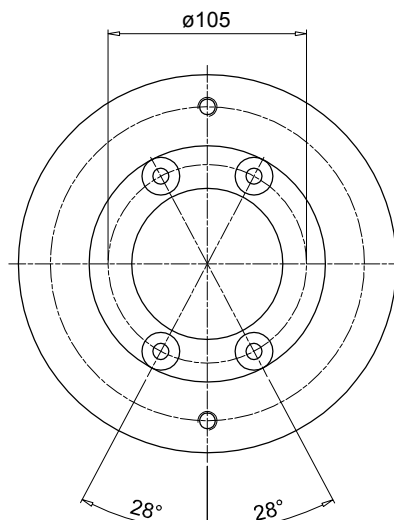
1



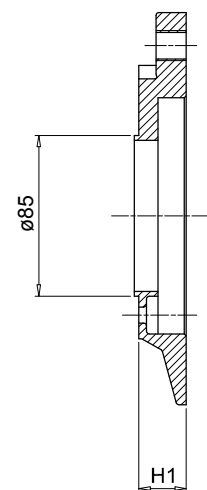
IEC - Electric motors		Motor base code	Dimensions [mm]									On request		Weight [kg]
Motor size	Shaft end [d x l]		D1	D2	D3	D5	H1	H2	F	P	H3	D6		
80	19x40	BMC200A1001	130	165	200	135	100	18	M10	11	60	3/4"	0.75	
90	24x50	BMC200A1251	130	165	200	135	125	18	M10	11	75	3/4"	0.95	
100-112	28x60	BMC250A1141	180	215	250	186	114	19	M12	14	80	3/4"	1.60	
		BMC250A1361	180	215	250	186	138	19	M12	14	100	3/4"	1.60	
132	38x80	BMC300A1551	230	265	300	235	155	23	M12	14	95	3/4"	3.30	



4 Bolt Version



2 Bolt Version

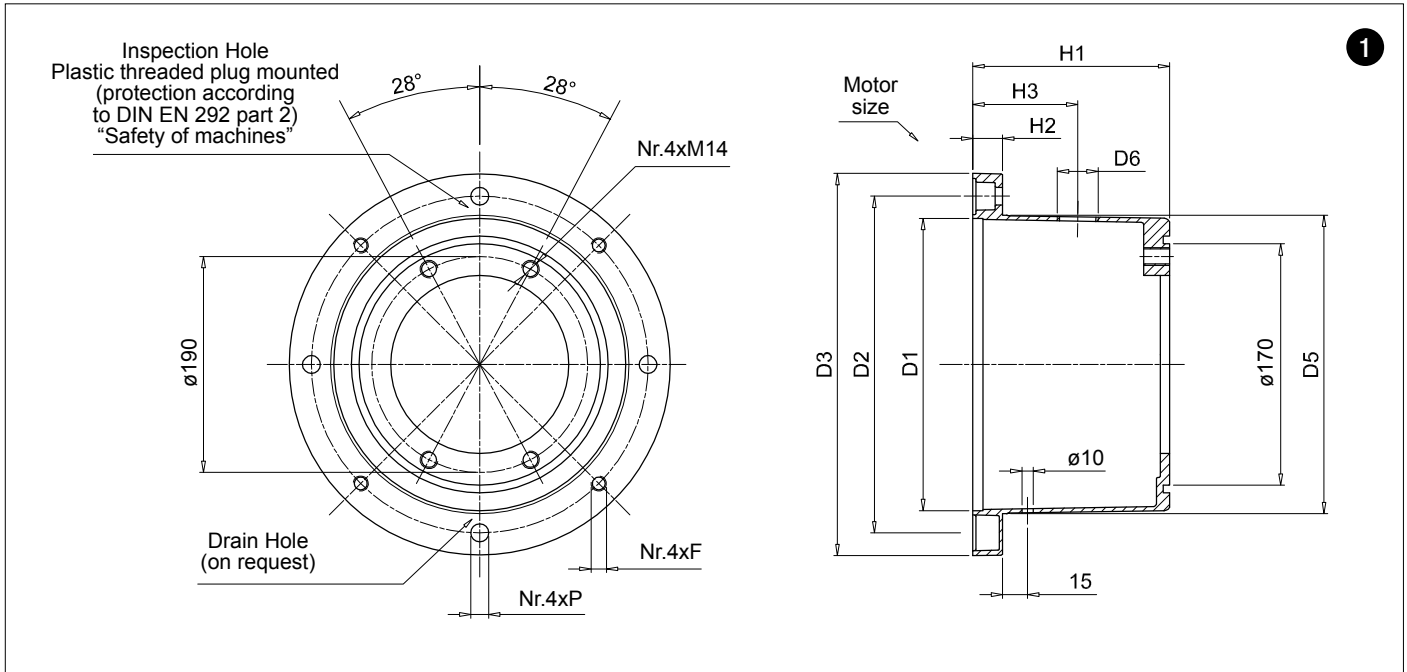


3

Pump flange code	H1	Mounting kit	Available pump interface		Weight [kg]
			2 Bolt	4 Bolt	
FR1023***	23	KVG1 See page 99	D042 - S061 - S063 - S083 - S023 - S070 - S071 - S082 - S075	S024 - S025 - S125 - S154	0.25
FR1025***	25		S080 - S082	S021 - S026 - S068 - S069	0.30
FR1033***	33		S023 - S070 - S071 - S072 - S074 - S080 - S082	S021 - S026 - S027	0.80
FR1035***	35		S060 - S063 - S065	-	0.90
FR1040***	40		-	S098 - S227	1.10
FR1079***	79		-	S031	1.30

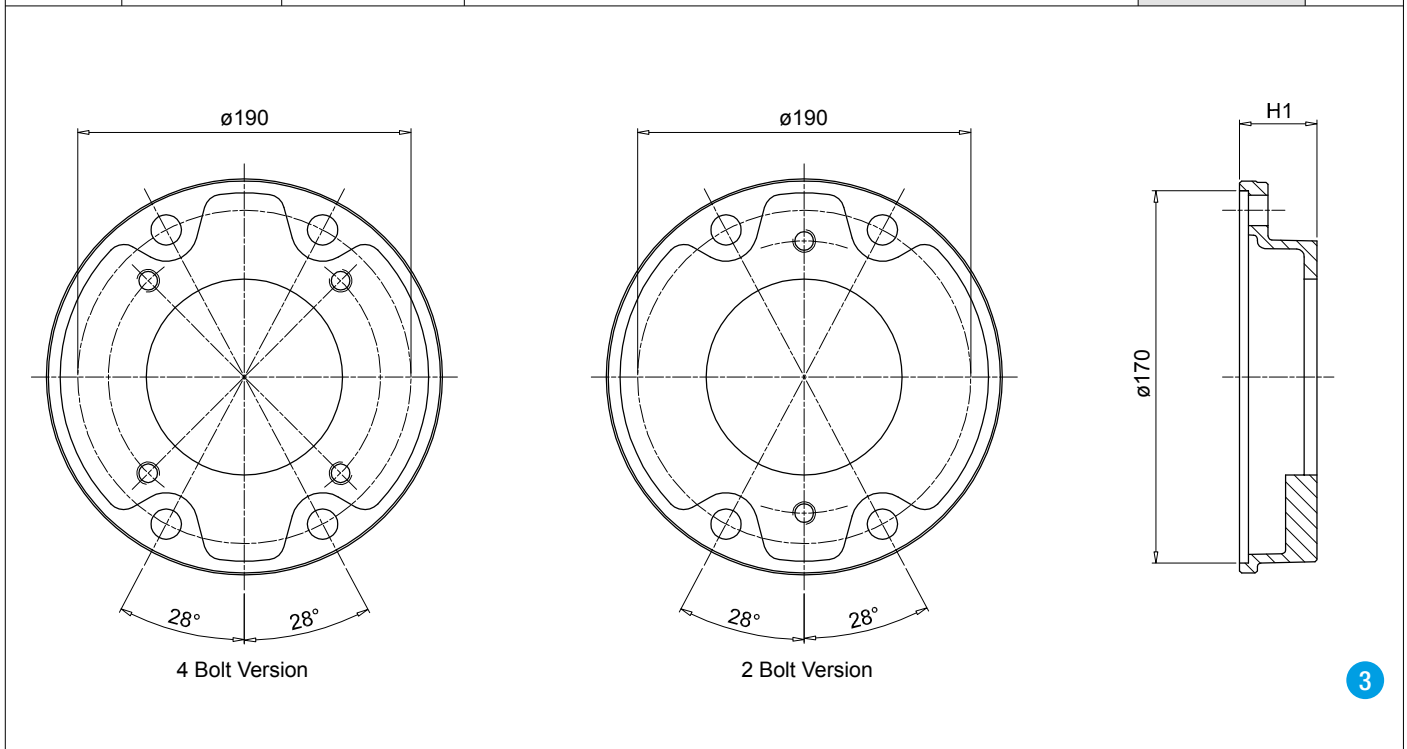
Pump flange code to be complete with available pump interface

Example: **FR1023S024**



1

IEC - Electric motors		Motor base code	Dimensions [mm]								On request		Weight [kg]
Motor size	Shaft end [d x l]		D1	D2	D3	D5	H1	H2	F	P	H3	D6	
132	38x80	BMC300A1555	230	265	300	235	155	23	M12	14	95	3/4"	3.3
		BMC300A1705	230	265	300	235	170	23	M12	14	110	3/4"	3.6
160	42x110	BMC350A1785	250	300	350	254	178	31	M16	18	100	1"	4.4
180	48x110	BMC350A1945	250	300	350	254	194	31	M16	18	115	1"	4.9



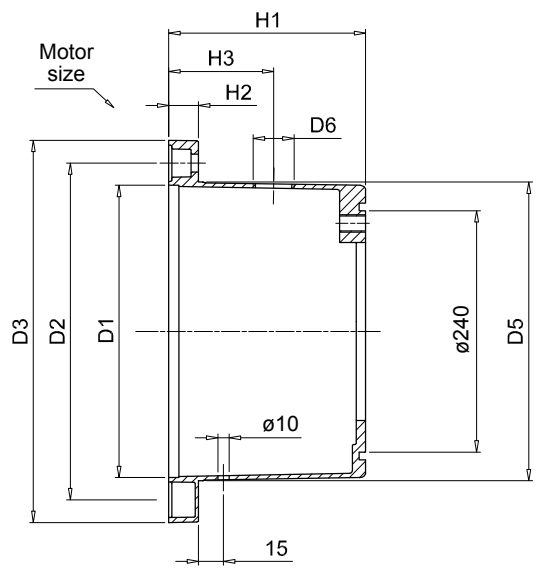
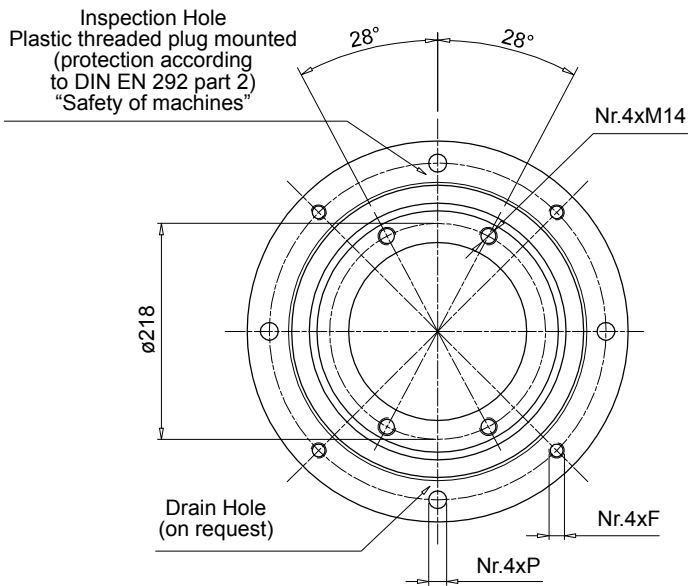
3

Pump flange code	H1	Mounting kit	Available pump interface		Weight [kg]
			2 Bolt	4 Bolt	
FP5026***	26	KVG5 See page 99	S023 - D042 - S063 - S070 - S072 S075	S024 - S024 - S033 - S125 - S154	1.0
FP5032***	32		-	S024 - S031 - S096 - S125	1.1
FP5035***	35		S023 - D042 - S063 - S070 - S072 - S075 - S060 - S072 - S074 - S075 - S106	S021 - S024 - S025 - S026 - S031 - S059 - S068 - S083 - S097 - S125 - S141	0.9
FP5045***	45		S060 - S070 - S071 - S072 - S074 - S075 - S106	S021 - S024 - S025 - S026 - S068 - S125 - S141	0.9
FP5056***	56		S072	S021 - S026	1.6
FP5063***	63		S070 - S079 - S138	S021 - S025 - S068 - S141	1.7
FP5091***	91		-	S025 - S031 - S033 - S113 - S267	2.2

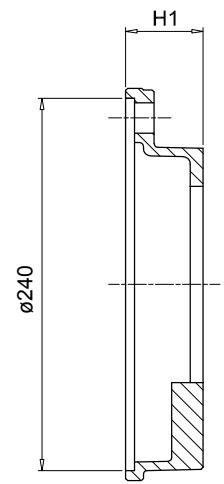
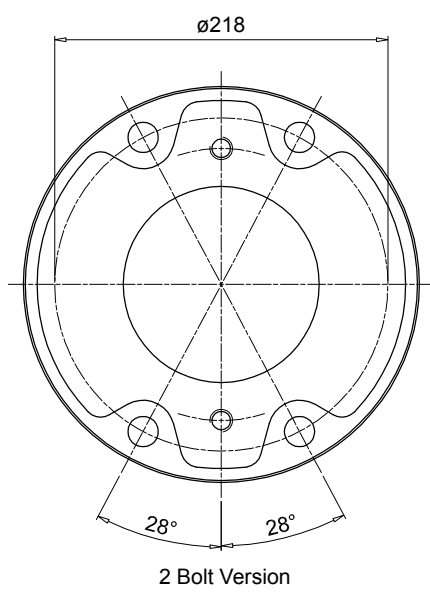
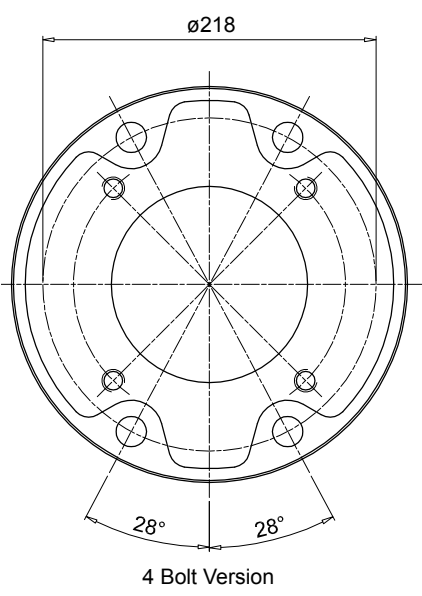
Pump flange code to be complete with available pump interface

Example: **FP5026S023**

1



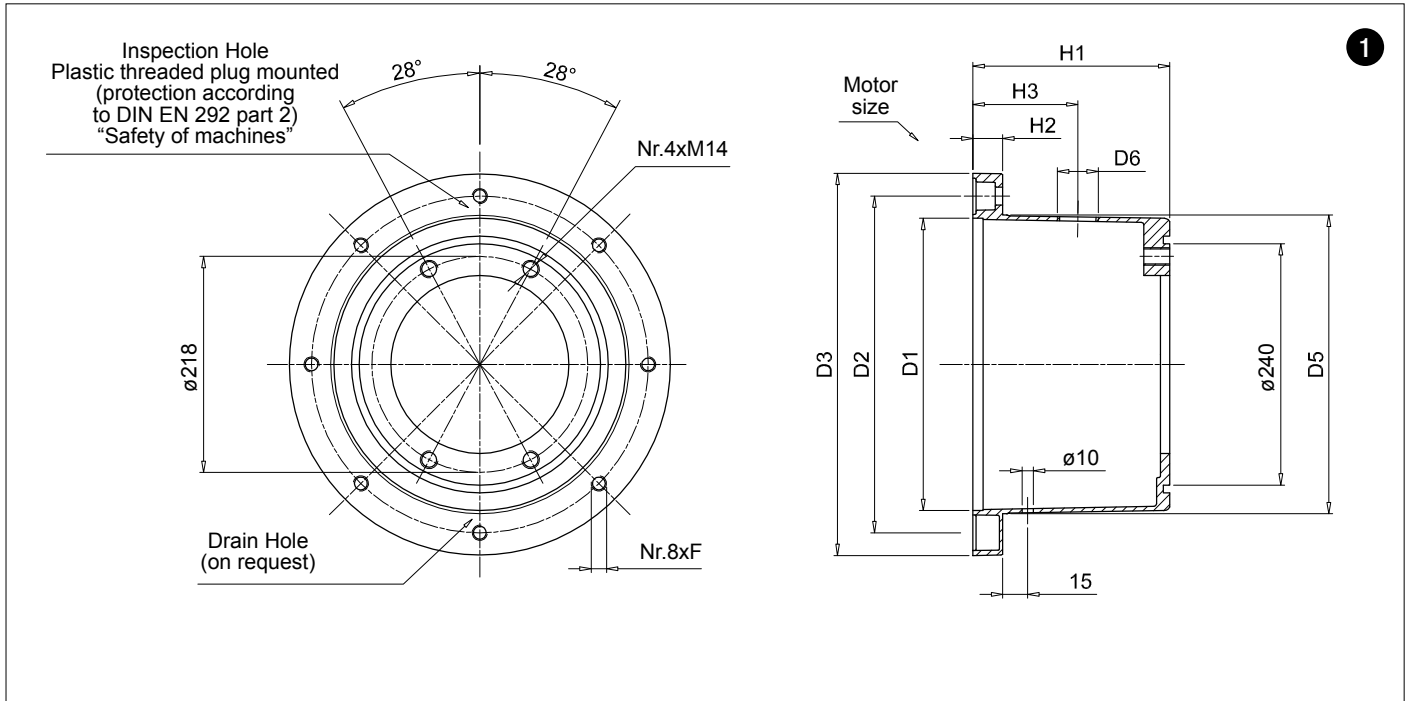
IEC - Electric motors		Motor base code	Dimensions [mm]								On request		Weight [kg]
Motor size	Shaft end [d x l]		D1	D2	D3	D5	H1	H2	F	P	H3	D6	
160	42x110	BMC350A1786	250	300	350	254	178	31	M16	18	100	1"	4.4
180	48x110	BMC350A1946	250	300	350	254	194	31	M16	18	115	1"	1.9
200	55x110	BMC400A2016	300	350	400	305	201	31	M16	18	125	1 1/2"	6.9



3

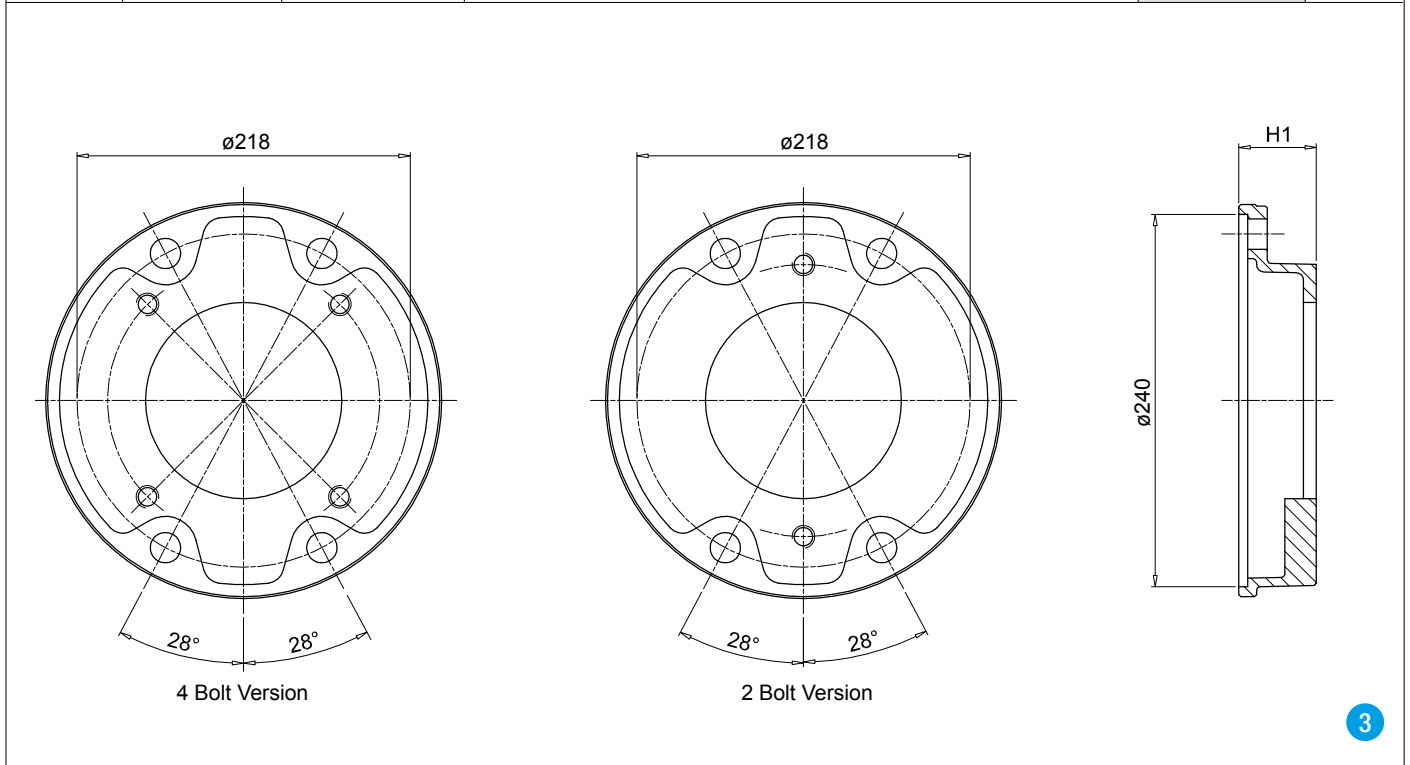
Pump flange code	H1	Mounting kit	Available pump interface		Weight [kg]
			2 Bolt	4 Bolt	
FP6032***	32	KVG6 See page 99	S081 - S082	S021 - S035	1.8
FP6045***	45		S070 - S075 - S080 - S081 - S082	S021 - S025 - S026 - S027 - S069 - S077 - S125 - S198 - S207 - S215 - S253	2.1
FP6058***	58		S079 - S080 - S081 - S082	S024 - S025 - S026 - S027 - S038 - S077 - S078 - S207 - S215 - S237	2.4
FP6070***	70		S080	-	3.0
FP6082***	82		S080 - S081	S038 - S141 - 198 - 215	3.3
FP6086***	86		S090 - S092 - S166 - S091	S021 - S026 - S027 - S077 - S078 - S114 - S132 - 198 - S200	3.4
FP6101***	101		-	S027 - S035 - S113 - S132 - S148 - S176 - S228	4.2
FP6110***	110		S080	S111	5.5

Pump flange code to be complete with available pump interface
Example: **FP6032S021**



1

IEC - Electric motors		Motor base code	Dimensions [mm]								On request		Weight [kg]
Motor size	Shaft end [d x l]		D1	D2	D3	D5	H1	H2	F	P	H3	D6	
225	60x140	BMC450A2506	350	400	450	350	250	31	M16	-	175	1 1/2"	6.9



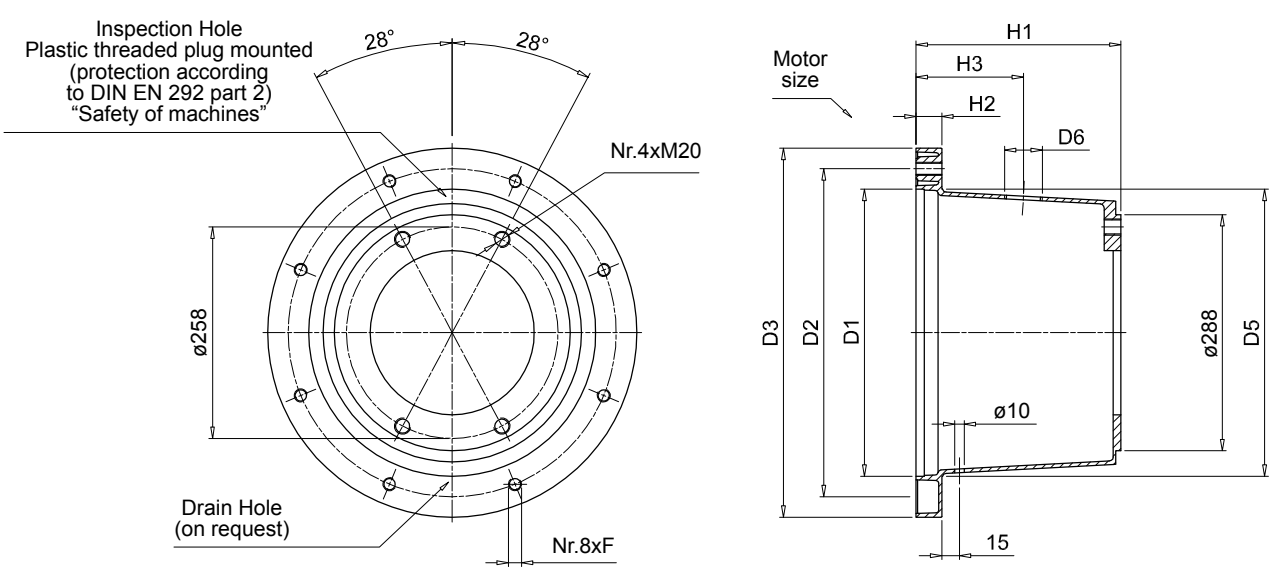
3

Pump flange code	H1	Mounting kit	Available pump interface		Weight [kg]
			2 Bolt	4 Bolt	
FP6032***	32	KVG6 See page 99	S081 - S082	S021 - S035	1.8
FP6045***	45		S070 - S075 - S080 - S081 - S082	S021 - S025 - S026 - S027 - S069 - S077 - S125 - S198 - S207 - S215 - S253	2.1
FP6058***	58		S079 - S080 - S081 - S082	S024 - S025 - S026 - S027 - S038 - S077 - S078 - S207 - S215 - S237	2.4
FP6070***	70		S080	-	3.0
FP6082***	82		S080 - S081	S038 - S141 - 198 - 215	3.3
FP6086***	86		S090 - S092 - S166 - S091	S021 - S026 - S027 - S077 - S078 - S114 - S132 - 198 - S200	3.4
FP6101***	101		-	S027 - S035 - S113 - S132 - S148 - S176 - S228	4.2
FP6110***	110		S080	S111	5.5

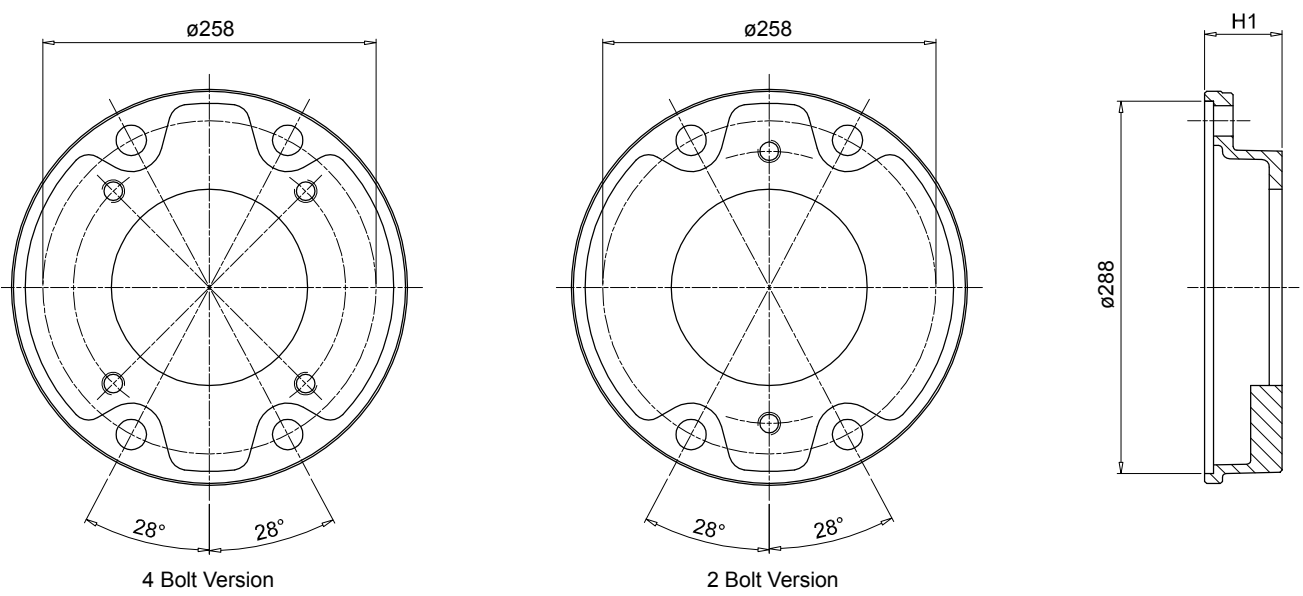
Pump flange code to be complete with available pump interface

Example: **FP6032S021**

1



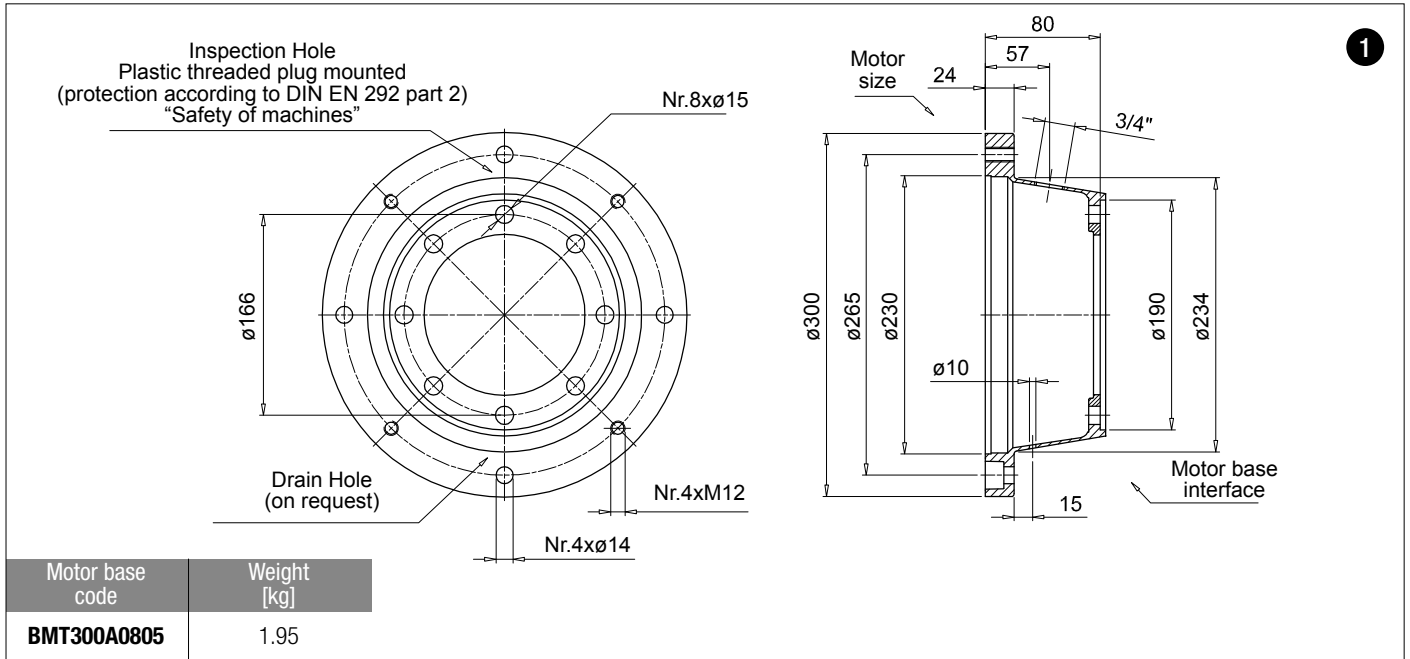
IEC - Electric motors		Motor base code	Dimensions [mm]								On request		Weight [kg]
Motor size	Shaft end [d x l]		D1	D2	D3	D5	H1	H2	F	P	H3	D6	
225	60x140	BMC450A2507	350	400	450	350	250	31	M16	-	175	1 1/2"	6.9



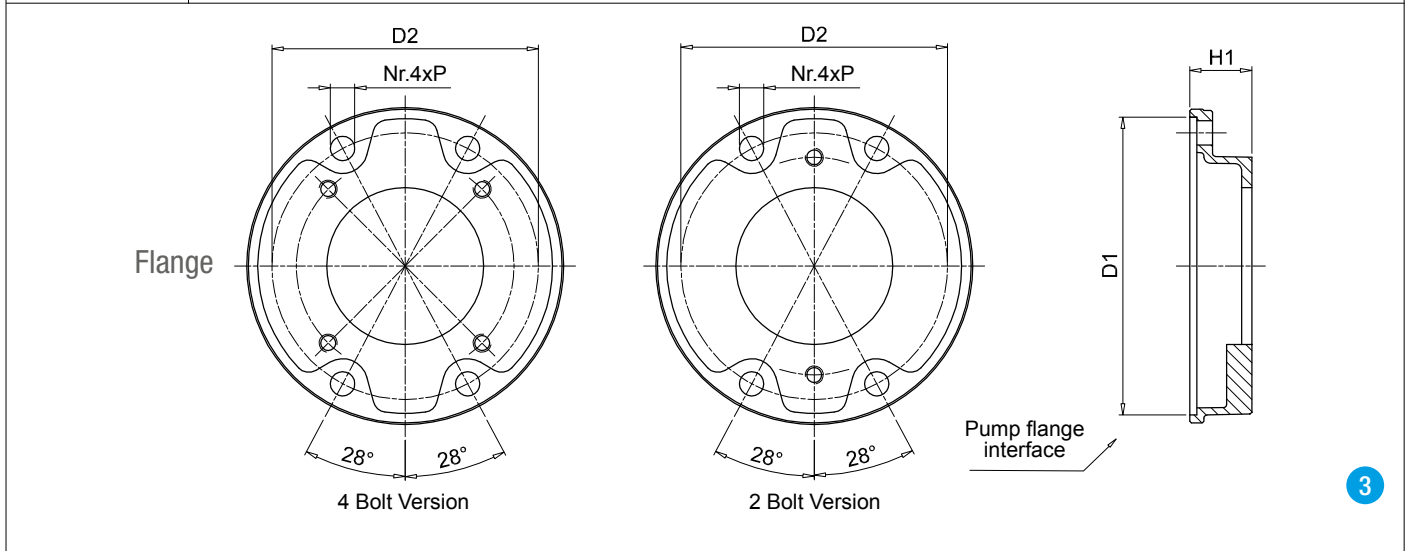
3

Pump flange code	H1	Mounting kit	Available pump interface		Weight [kg]
			2 Bolt	4 Bolt	
FP7052***	52	KVG7 See page 99	-	S028 - S108 - S112 - S133 - S192	4.4
FP7066***	66		S090 - S092 - S166	-	4.8
FP7069***	69		-	S108 - S143 - S148 - S192 - S201 - S204 - S281 - S282	4.9
FP7086***	86		S091 - S092 - S117 - S166	S022 - S027 - S028 - S108 - S112 - S184 - S192 - S201 - S228 - S300	5.2
FP7111***	111		S091 - S092 - S117 - S145	S028 - S108 - S112 - S133 - S184	6.3

Pump flange code to be complete with available pump interface
 Example: **FP7052S028**



1



3

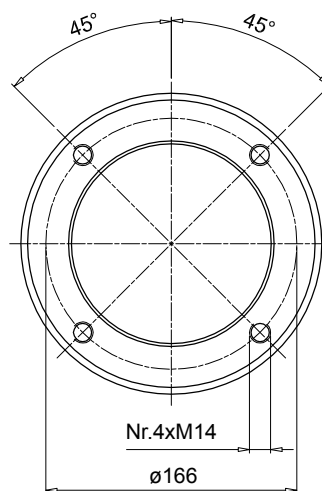
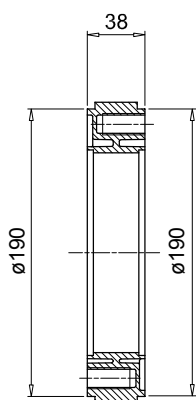
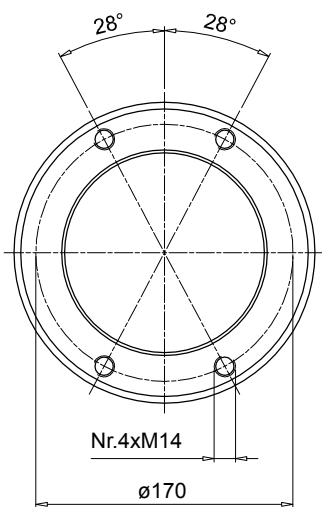
Pump flange code	H1	D1	D2	P	Mounting kit	Available pump interface		Weight [kg]
						2 Bolt	4 Bolt	
FP5026***	26	190	170	15	KVG5 See page 99	S023 - D042 - S063 - S070 - S072 S075	S024 - S024 - S033 - S125 - S154	1
FP5032***	32					-	S024 - S031 - S096 - S125	1.1
FP5035***	35					S023 - D042 - S063 - S070 - S072 - S075 - S060 - S072 - S074 - S075 - S106	S021 - S024 - S025 - S026 - S031 - S059 - S068 - S083 - S097 - S125 - S141	0.9
FP5045***	45					S060 - S070 - S071 - S072 - S074 - S075 - S106	S021 - S024 - S025 - S026 - S068 - S125 - S141	0.9
FP5056***	56					S072	S021 - S026	1.6
FP5063***	63					S070 - S079 - S138	S021 - S025 - S068 - S141	1.7
FP5091***	91	-	S025 - S031 - S033 - S113 - S267	2.2				
FP6032***	32	240	218	17	KVG6 See page 99	S081 - S082	S021 - S035	1.8
FP6045***	45					S070 - S075 - S080 - S081 - S082	S021 - S025 - S026 - S027 - S069 - S077 - S125 - S198 - S207 - S215 - S253	2.1
FP6058***	58					S079 - S080 - S081 - S082	S024 - S025 - S026 - S027 - S038 - S077 - S078 - S207 - S215 - S237	2.4
FP6070***	70					S080	-	3.0
FP6082***	82					S080 - S081	S038 - S141 - 198 - 215	3.3
FP6086***	86					S090 - S092 - S166 - S091	S021 - S026 - S027 - S077 - S078 - S114 - S132 - 198 - S200	3.4
FP6101***	101					-	S027 - S035 - S113 - S132 - S148 - S176 - S228	4.2
FP6110***	110					S080	S111	5.5
FP7052***	52	288	258	22	KVG7 See page 99	-	S028 - S108 - S112 - S133 - S192	4.4
FP7066***	66					S090 - S092 - S166	-	4.8
FP7069***	69					-	S108 - S143 - S148 - S192 - S201 - S204 - S281 - S282	4.9
FP7086***	86					S091 - S092 - S117 - S166	S022 - S027 - S028 - S108 - S112 - S184 - S192 - S201 - S228 - S300	5.2
FP7111***	111					S091 - S092 - S117 - S145	S028 - S108 - S112 - S133 - S184	6.3

Pump flange code to be complete with available pump interface

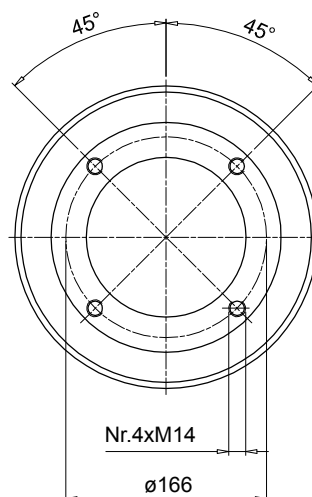
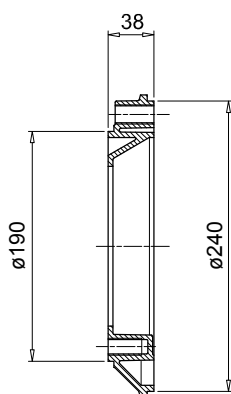
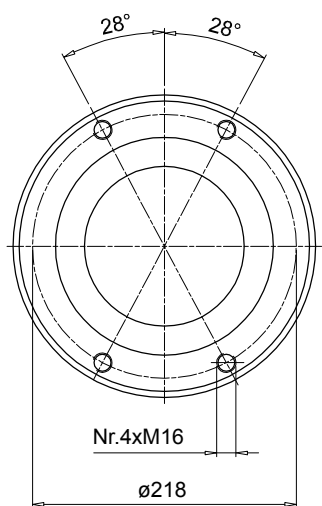
Example: **FP6032S021**

Flange interface

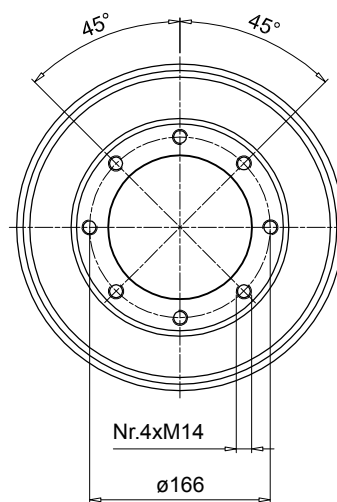
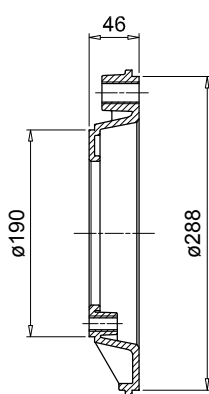
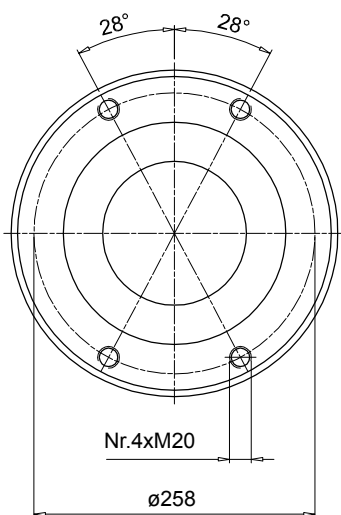
Motor base interface



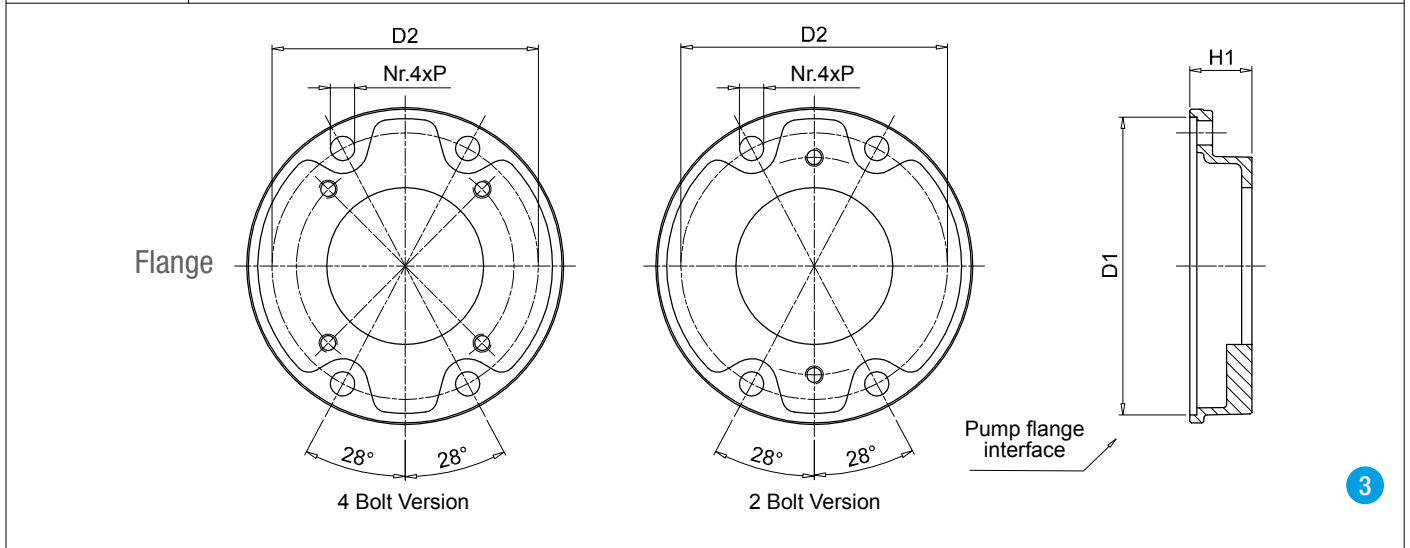
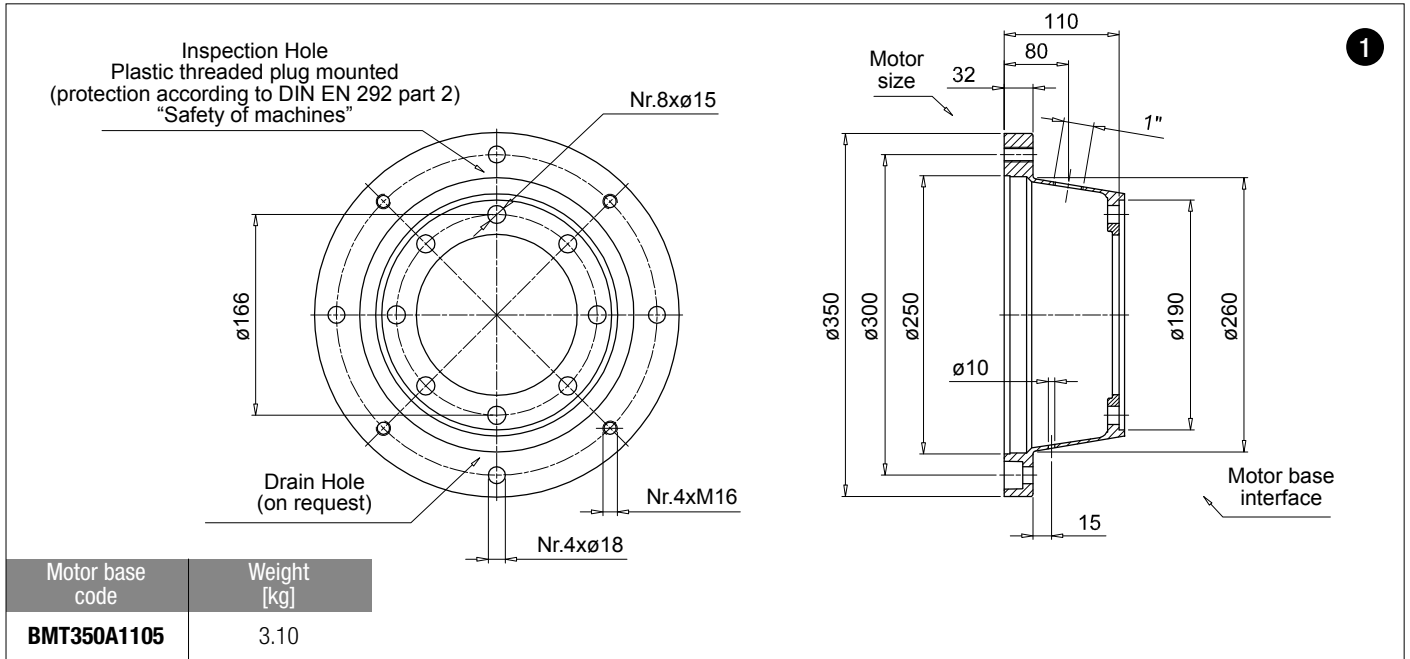
Code	Weight [kg]
AD50385	1.00



Code	Weight [kg]
AD50386	1.25



Code	Weight [kg]
AD50467	1.90



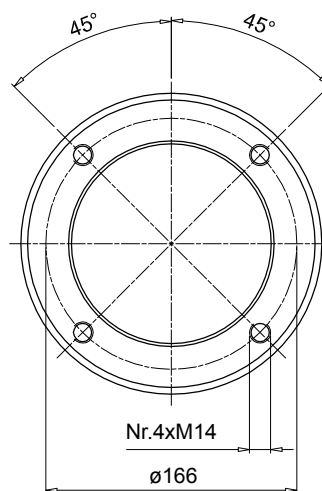
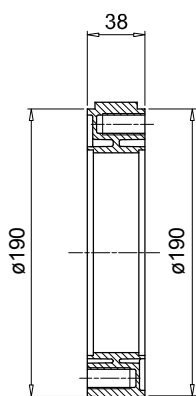
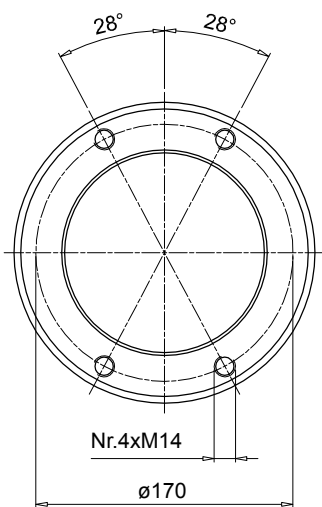
Pump flange code	H1	D1	D2	P	Mounting kit	Available pump interface		Weight [kg]
						2 Bolt	4 Bolt	
FP5026***	26				KVG5 See page 99	S023 - D042 - S063 - S070 - S072 S075	S024 - S024 - S033 - S125 - S154	1
FP5032***	32					-	S024 - S031 - S096 - S125	1.1
FP5035***	35					S023 - D042 - S063 - S070 - S072 - S075 - S060 - S072 - S074 - S075 - S106	S021 - S024 - S025 - S026 - S031 - S059 - S068 - S083 - S097 - S125 - S141	0.9
FP5045***	45					S060 - S070 - S071 - S072 - S074 - S075 - S106	S021 - S024 - S025 - S026 - S068 - S125 - S141	0.9
FP5056***	56	190	170	15		S072	S021 - S026	1.6
FP5063***	63					S070 - S079 - S138	S021 - S025 - S068 - S141	1.7
FP5091***	91				-	S025 - S031 - S033 - S113 - S267	2.2	
FP6032***	32				KVG6 See page 99	S081 - S082	S021 - S035	1.8
FP6045***	45					S070 - S075 - S080 - S081 - S082	S021 - S025 - S026 - S027 - S069 - S077 - S125 - S198 - S207 - S215 - S253	2.1
FP6058***	58					S079 - S080 - S081 - S082	S024 - S025 - S026 - S027 - S038 - S077 - S078 - S207 - S215 - S237	2.4
FP6070***	70	240	218	17		S080	-	3.0
FP6082***	82					S080 - S081	S038 - S141 - 198 - 215	3.3
FP6086***	86					S090 - S092 - S166 - S091	S021 - S026 - S027 - S077 - S078 - S114 - S132 - 198 - S200	3.4
FP6101***	101					-	S027 - S035 - S113 - S132 - S148 - S176 - S228	4.2
FP6110***	110					S080	S111	5.5
FP7052***	52				KVG7 See page 99	-	S028 - S108 - S112 - S133 - S192	4.4
FP7066***	66					S090 - S092 - S166	-	4.8
FP7069***	69	288	258	22		-	S108 - S143 - S148 - S192 - S201 - S204 - S281 - S282	4.9
FP7086***	86					S091 - S092 - S117 - S166	S022 - S027 - S028 - S108 - S112 - S184 - S192 - S201 - S228 - S300	5.2
FP7111***	111					S091 - S092 - S117 - S145	S028 - S108 - S112 - S133 - S184	6.3

Pump flange code to be complete with available pump interface

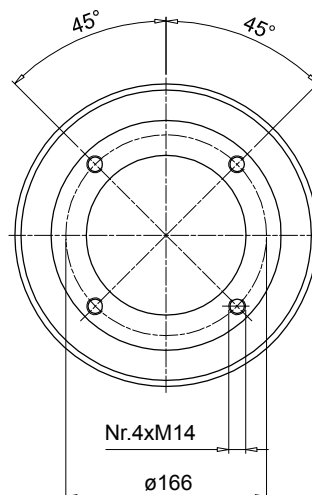
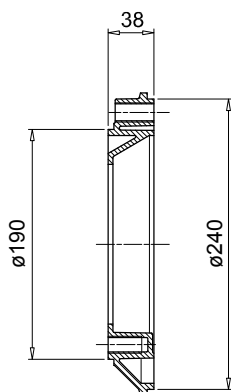
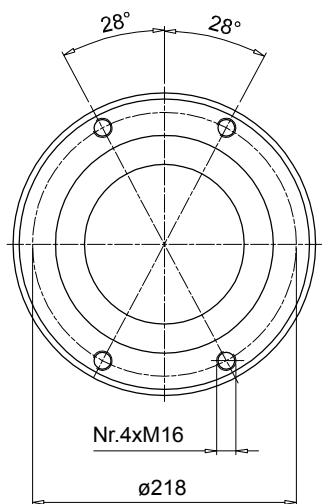
Example: **FP6032S021**

Flange interface

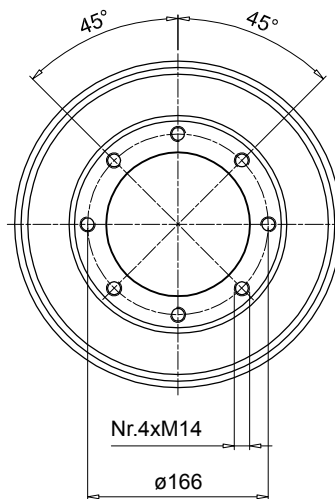
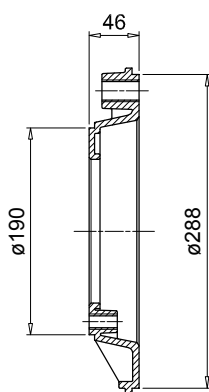
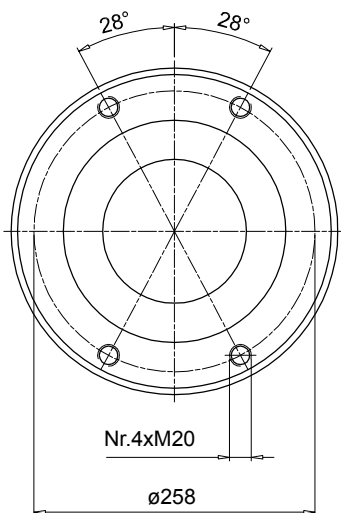
Motor base interface



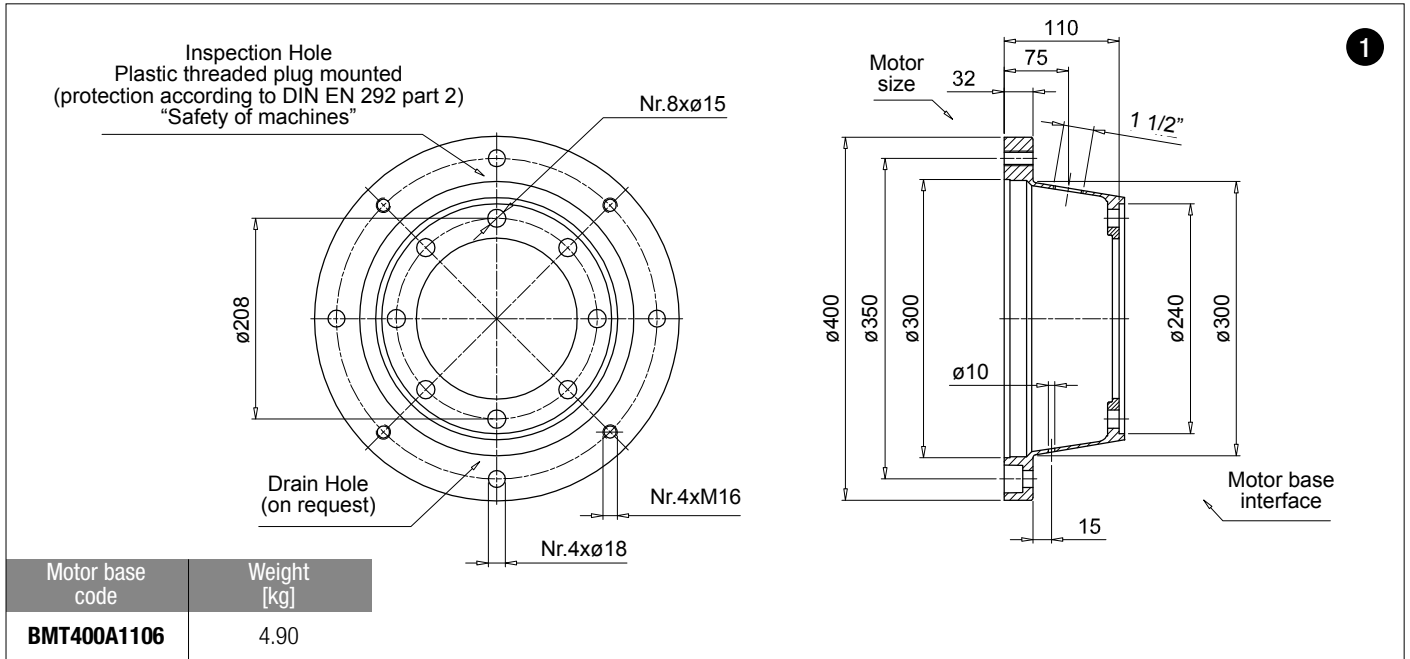
Code	Weight [kg]
AD50385	1.00



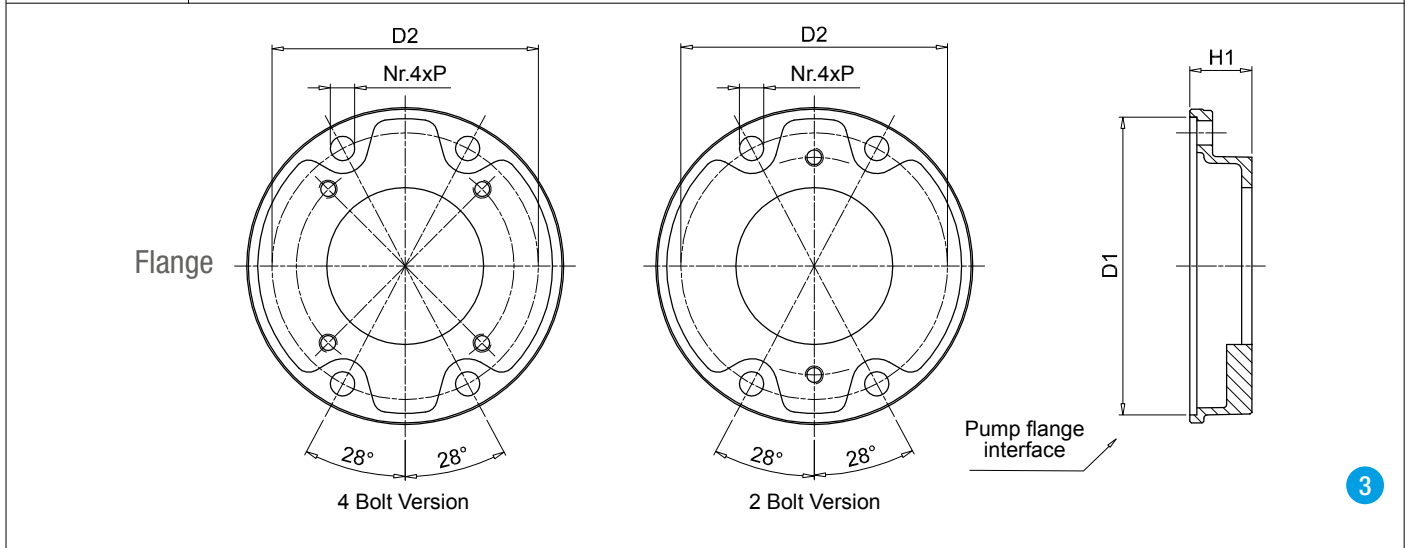
Code	Weight [kg]
AD50386	1.25



Code	Weight [kg]
AD50467	1.90



1



3

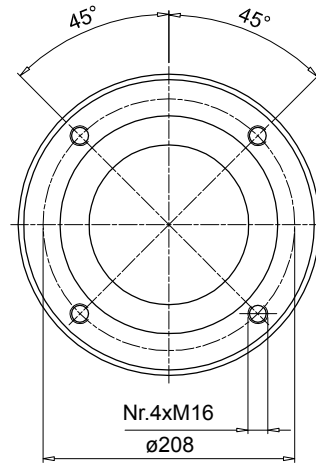
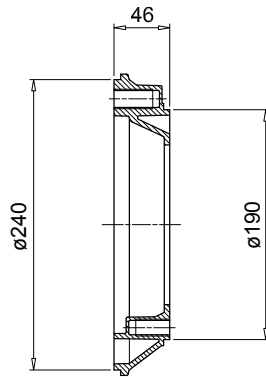
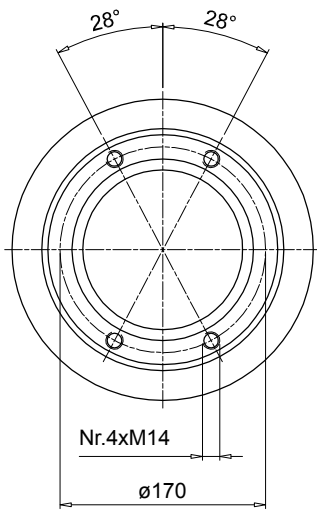
Pump flange code	H1	D1	D2	P	Mounting kit	Available pump interface		Weight [kg]
						2 Bolt	4 Bolt	
FP5026***	26				KVG5 See page 99	S023 - D042 - S063 - S070 - S072 S075	S024 - S024 - S033 - S125 - S154	1
FP5032***	32					-	S024 - S031 - S096 - S125	1.1
FP5035***	35					S023 - D042 - S063 - S070 - S072 - S075 - S060 - S072 - S074 - S075 - S106	S021 - S024 - S025 - S026 - S031 - S059 - S068 - S083 - S097 - S125 - S141	0.9
FP5045***	45					S060 - S070 - S071 - S072 - S074 - S075 - S106	S021 - S024 - S025 - S026 - S068 - S125 - S141	0.9
FP5056***	56	190	170	15		S072	S021 - S026	1.6
FP5063***	63					S070 - S079 - S138	S021 - S025 - S068 - S141	1.7
FP5091***	91				-	S025 - S031 - S033 - S113 - S267	2.2	
FP6032***	32				KVG6 See page 99	S081 - S082	S021 - S035	1.8
FP6045***	45					S070 - S075 - S080 - S081 - S082	S021 - S025 - S026 - S027 - S069 - S077 - S125 - S198 - S207 - S215 - S253	2.1
FP6058***	58					S079 - S080 - S081 - S082	S024 - S025 - S026 - S027 - S038 - S077 - S078 - S207 - S215 - S237	2.4
FP6070***	70					S080	-	3.0
FP6082***	82	240	218	17		S080 - S081	S038 - S141 - 198 - 215	3.3
FP6086***	86					S090 - S092 - S166 - S091	S021 - S026 - S027 - S077 - S078 - S114 - S132 - 198 - S200	3.4
FP6101***	101					-	S027 - S035 - S113 - S132 - S148 - S176 - S228	4.2
FP6110***	110					S080	S111	5.5
FP7052***	52				KVG7 See page 99	-	S028 - S108 - S112 - S133 - S192	4.4
FP7066***	66					S090 - S092 - S166	-	4.8
FP7069***	69	288	258	22		-	S108 - S143 - S148 - S192 - S201 - S204 - S281 - S282	4.9
FP7086***	86					S091 - S092 - S117 - S166	S022 - S027 - S028 - S108 - S112 - S184 - S192 - S201 - S228 - S300	5.2
FP7111***	111					S091 - S092 - S117 - S145	S028 - S108 - S112 - S133 - S184	6.3

Pump flange code to be complete with available pump interface

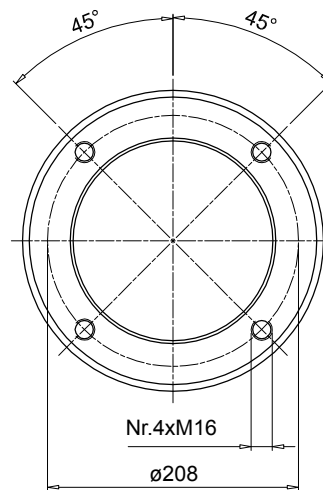
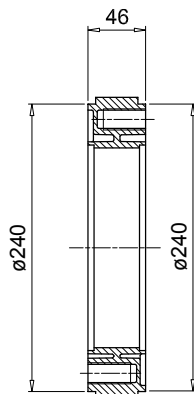
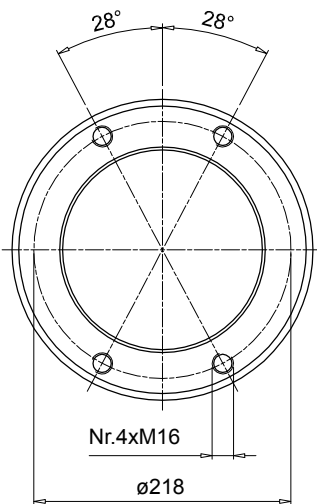
Example: **FP6032S021**

Flange interface

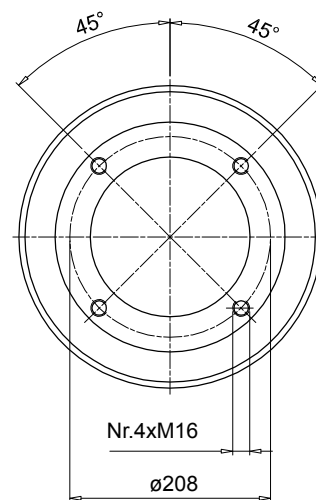
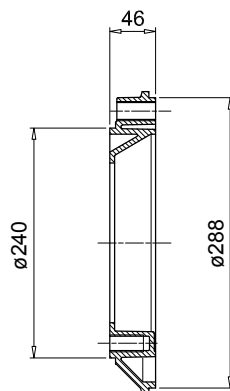
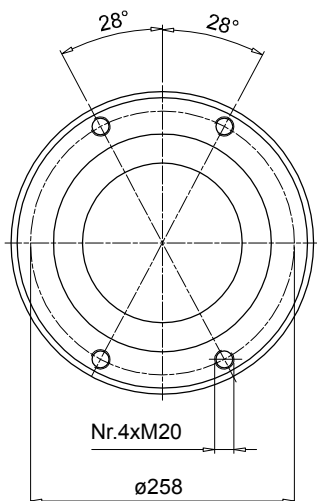
Motor base interface



Code	Weight [kg]
AD60465	1.30

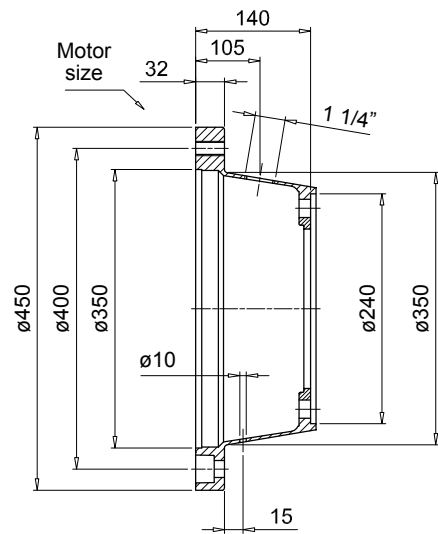
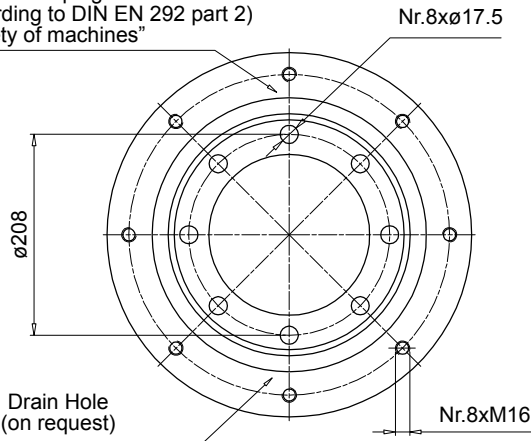


Code	Weight [kg]
AD60466	1.60



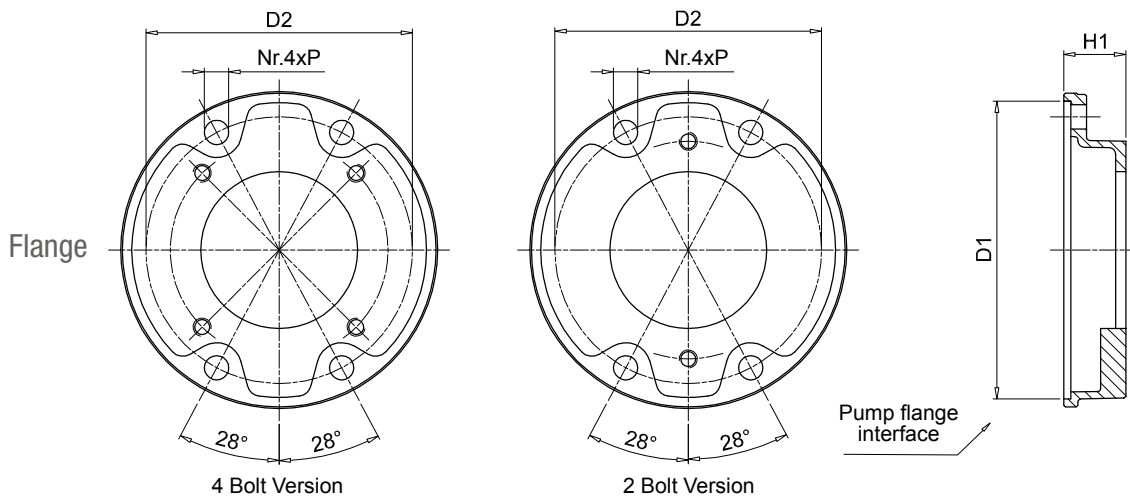
Code	Weight [kg]
AD60467	2.50

Inspection Hole
Plastic threaded plug mounted
(protection according to DIN EN 292 part 2)
"Safety of machines"



1

Motor base code	Weight [kg]
BMT450A1406	5.00



3

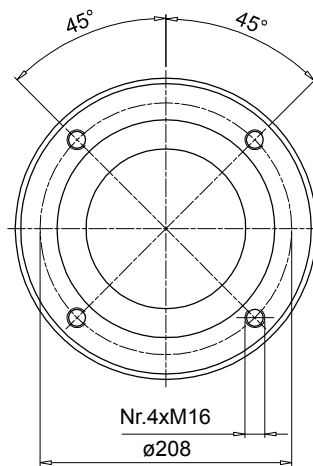
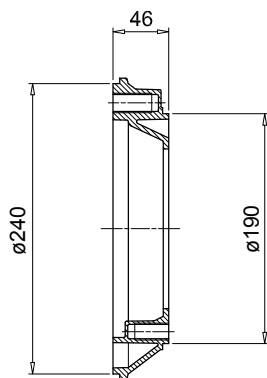
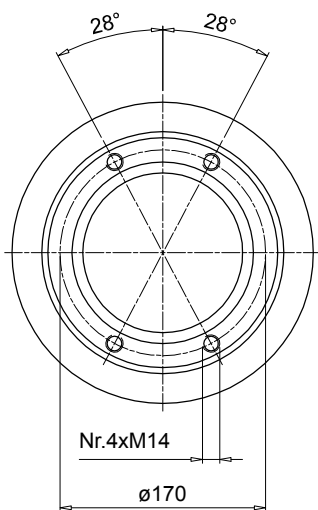
Pump flange code	H1	D1	D2	P	Mounting kit	Available pump interface		Weight [kg]
						2 Bolt	4 Bolt	
FP5026***	26	190	170	15	KVG5 See page 99	S023 - D042 - S063 - S070 - S072 S075	S024 - S024 - S033 - S125 - S154	1.0
FP5032***	32					-	S024 - S031 - S096 - S125	1.1
FP5035***	35					S023 - D042 - S063 - S070 - S072 - S075 - S060 - S072 - S074 - S075 - S106	S021 - S024 - S025 - S026 - S031 - S059 - S068 - S083 - S097 - S125 - S141	0.9
FP5045***	45					S060 - S070 - S071 - S072 - S074 - S075 - S106	S021 - S024 - S025 - S026 - S068 - S125 - S141	0.9
FP5056***	56					S072	S021 - S026	1.6
FP5063***	63					S070 - S079 - S138	S021 - S025 - S068 - S141	1.7
FP5091***	91	-	S025 - S031 - S033 - S113 - S267	2.2				
FP6032***	32	240	218	17	KVG6 See page 99	S081 - S082	S021 - S035	1.8
FP6045***	45					S070 - S075 - S080 - S081 - S082	S021 - S025 - S026 - S027 - S069 - S077 - S125 - S198 - S207 - S215 - S253	2.1
FP6058***	58					S079 - S080 - S081 - S082	S024 - S025 - S026 - S027 - S038 - S077 - S078 - S207 - S215 - S237	2.4
FP6070***	70					S080	-	3.0
FP6082***	82					S080 - S081	S038 - S141 - 198 - 215	3.3
FP6086***	86					S090 - S092 - S166 - S091	S021 - S026 - S027 - S077 - S078 - S114 - S132 - 198 - S200	3.4
FP6101***	101					-	S027 - S035 - S113 - S132 - S148 - S176 - S228	4.2
FP6110***	110					S080	S111	5.5
FP7052***	52	288	258	22	KVG7 See page 99	-	S028 - S108 - S112 - S133 - S192	4.4
FP7066***	66					S090 - S092 - S166	-	4.8
FP7069***	69					-	S108 - S143 - S148 - S192 - S201 - S204 - S281 - S282	4.9
FP7086***	86					S091 - S092 - S117 - S166	S022 - S027 - S028 - S108 - S112 - S184 - S192 - S201 - S228 - S300	5.2
FP7111***	111					S091 - S092 - S117 - S145	S028 - S108 - S112 - S133 - S184	6.3

Pump flange code to be complete with available pump interface

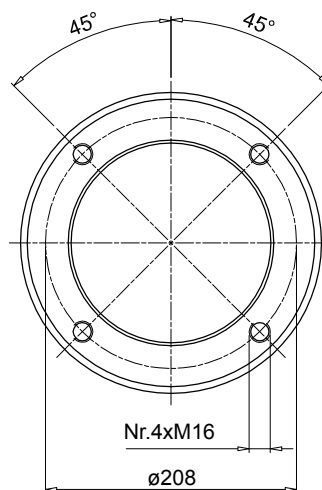
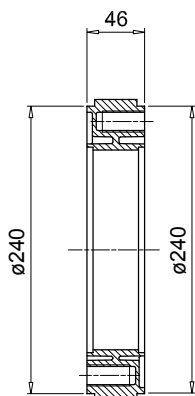
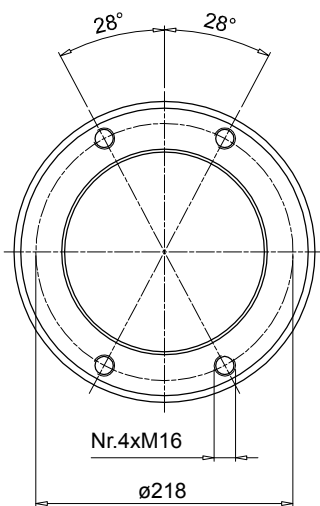
Example: **FP6032S021**

Flange interface

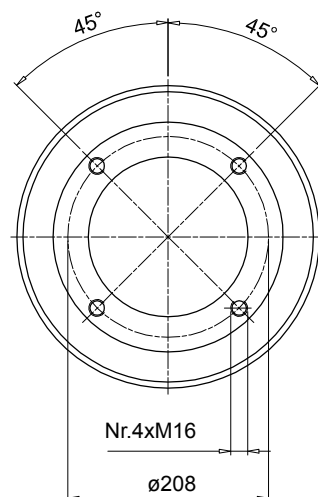
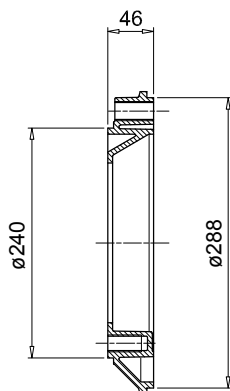
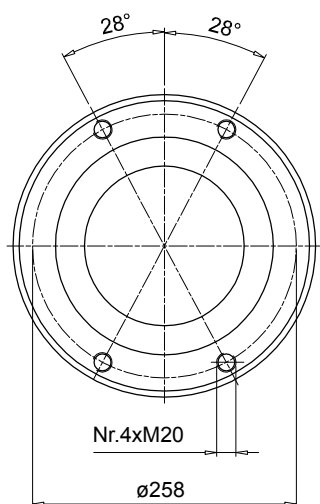
Motor base interface



Code	Weight [kg]
AD60465	1.30



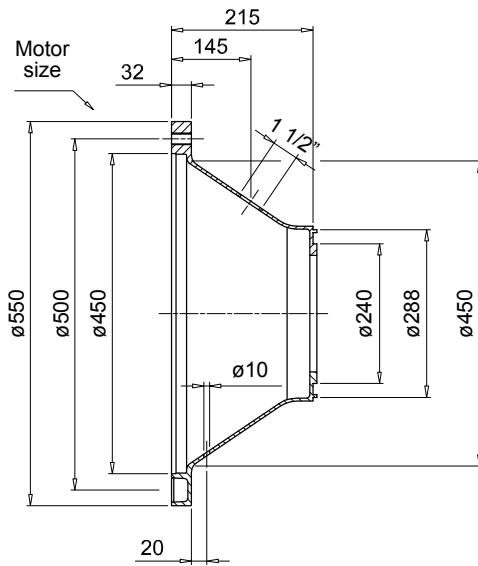
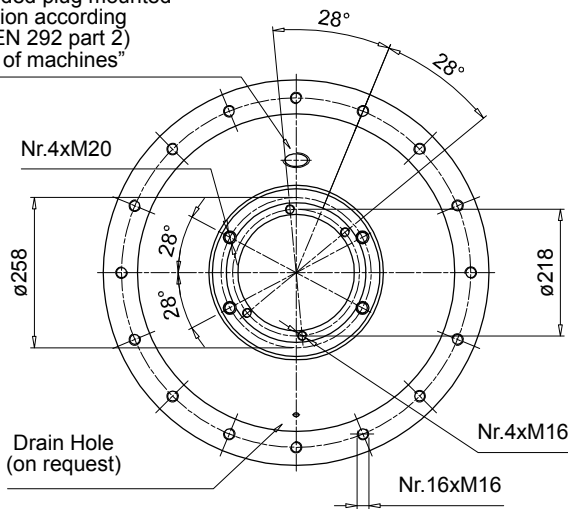
Code	Weight [kg]
AD60466	1.60



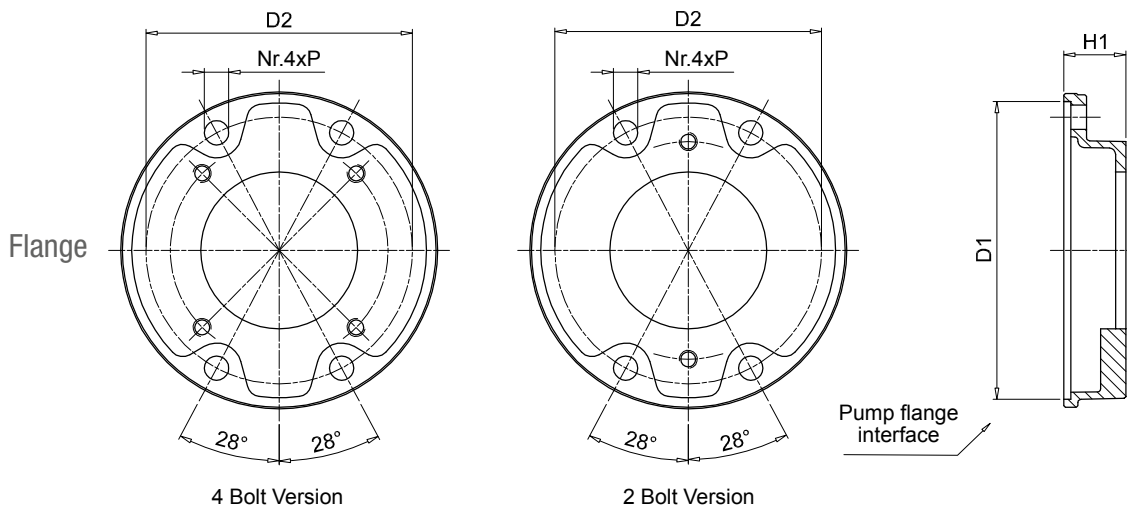
Code	Weight [kg]
AD60467	2.50

1

Inspection Hole
Plastic threaded plug mounted
(protection according
to DIN EN 292 part 2)
"Safety of machines"



Motor base code	Weight [kg]
BMT550A21567	8.80



3

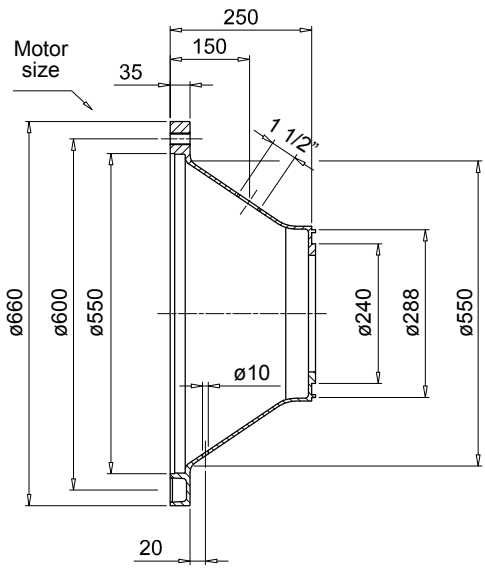
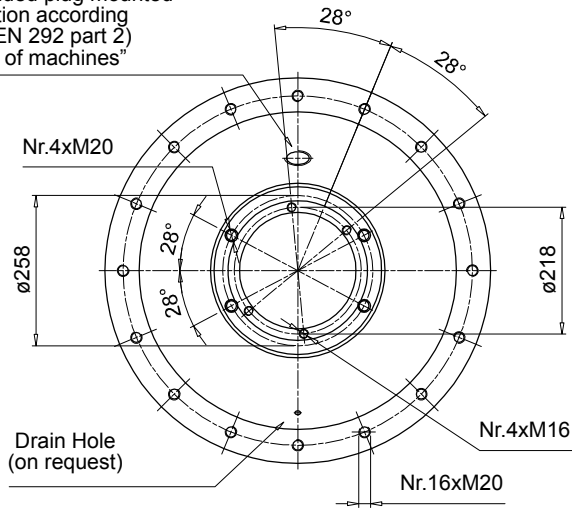
Pump flange code	H1	D1	D2	P	Mounting kit	Available pump interface		Weight [kg]
						2 Bolt	4 Bolt	
FP6032***	32				KVG6 See page 99	S081 - S082	S021 - S035	1.8
FP6045***	45			S070 - S075 - S080 - S081 - S082		S021 - S025 - S026 - S027 - S069 - S077 - S125 - S198 - S207 - S215 - S253	2.1	
FP6058***	58			S079 - S080 - S081 - S082		S024 - S025 - S026 - S027 - S038 - S077 - S078 - S207 - S215 - S237	2.4	
FP6070***	70	240	218	17		S080	-	3.0
FP6082***	82					S080 - S081	S038 - S141 - 198 - 215	3.3
FP6086***	86					S090 - S092 - S166 - S091	S021 - S026 - S027 - S077 - S078 - S114 - S132 - 198 - S200	3.4
FP6101***	101					-	S027 - S035 - S113 - S132 - S148 - S176 - S228	4.2
FP6110***	110					S080	S111	5.5
FP7052***	52					KVG7 See page 99	-	S028 - S108 - S112 - S133 - S192
FP7066***	66			S090 - S092 - S166	-		4.8	
FP7069***	69	288	258	22	-		S108 - S143 - S148 - S192 - S201 - S204 - S281 - S282	4.9
FP7086***	86				S091 - S092 - S117 - S166		S022 - S027 - S028 - S108 - S112 - S184 - S192 - S201 - S228 - S300	5.2
FP7111***	111				S091 - S092 - S117 - S145		S028 - S108 - S112 - S133 - S184	6.3

Pump flange code to be complete with available pump interface

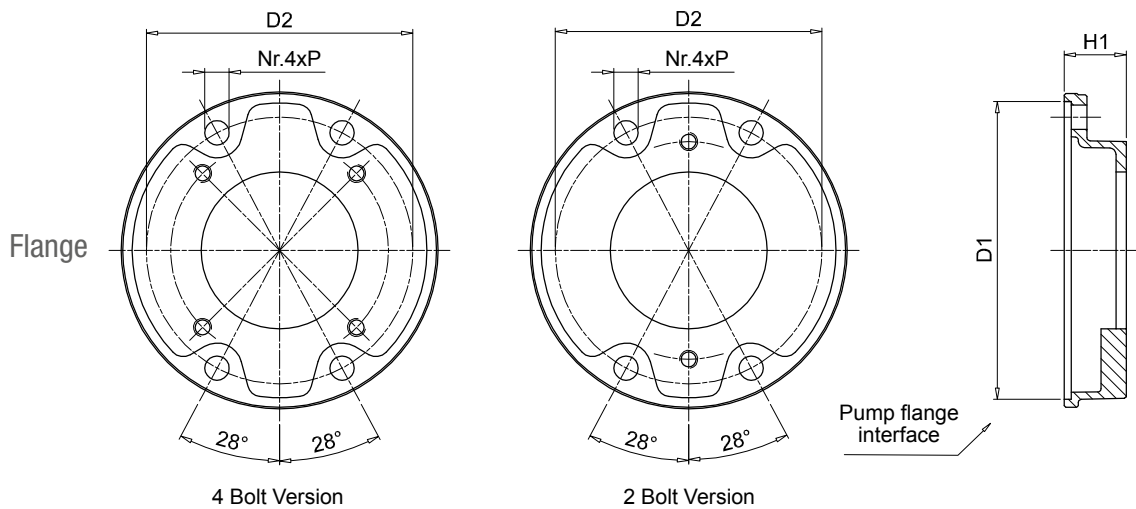
Example: **FP6032S021**

1

Inspection Hole
Plastic threaded plug mounted
(protection according
to DIN EN 292 part 2)
"Safety of machines"



Motor base code	Weight [kg]
BMT660A25067	12.00



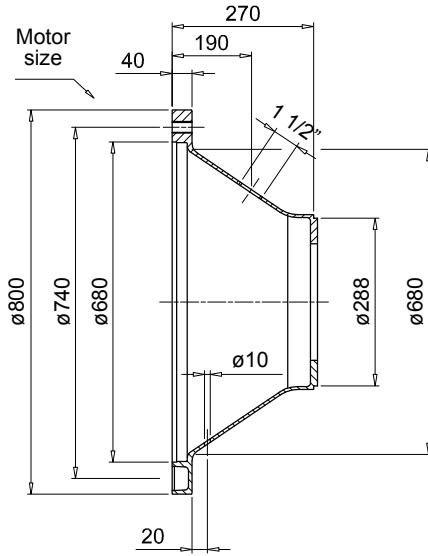
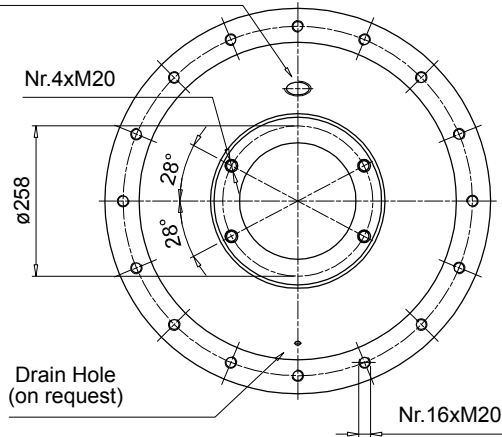
3

Pump flange code	H1	D1	D2	P	Mounting kit	Available pump interface		Weight [kg]	
						2 Bolt	4 Bolt		
FP6032***	32				KVG6 See page 99	S081 - S082	S021 - S035	1.8	
FP6045***	45			S070 - S075 - S080 - S081 - S082		S021 - S025 - S026 - S027 - S069 - S077 - S125 - S198 - S207 - S215 - S253	2.1		
FP6058***	58			S079 - S080 - S081 - S082		S024 - S025 - S026 - S027 - S038 - S077 - S078 - S207 - S215 - S237	2.4		
FP6070***	70	240	218	17		S080	-	3.0	
FP6082***	82					S080 - S081	S038 - S141 - 198 - 215	3.3	
FP6086***	86					S090 - S092 - S166 - S091	S021 - S026 - S027 - S077 - S078 - S114 - S132 - 198 - S200	3.4	
FP6101***	101					-	S027 - S035 - S113 - S132 - S148 - S176 - S228	4.2	
FP6110***	110					S080	S111	5.5	
FP7052***	52					KVG7 See page 99	-	S028 - S108 - S112 - S133 - S192	4.4
FP7066***	66						S090 - S092 - S166	-	4.8
FP7069***	69	288	258	22	-		S108 - S143 - S148 - S192 - S201 - S204 - S281 - S282	4.9	
FP7086***	86				S091 - S092 - S117 - S166		S022 - S027 - S028 - S108 - S112 - S184 - S192 - S201 - S228 - S300	5.2	
FP7111***	111				S091 - S092 - S117 - S145		S028 - S108 - S112 - S133 - S184	6.3	

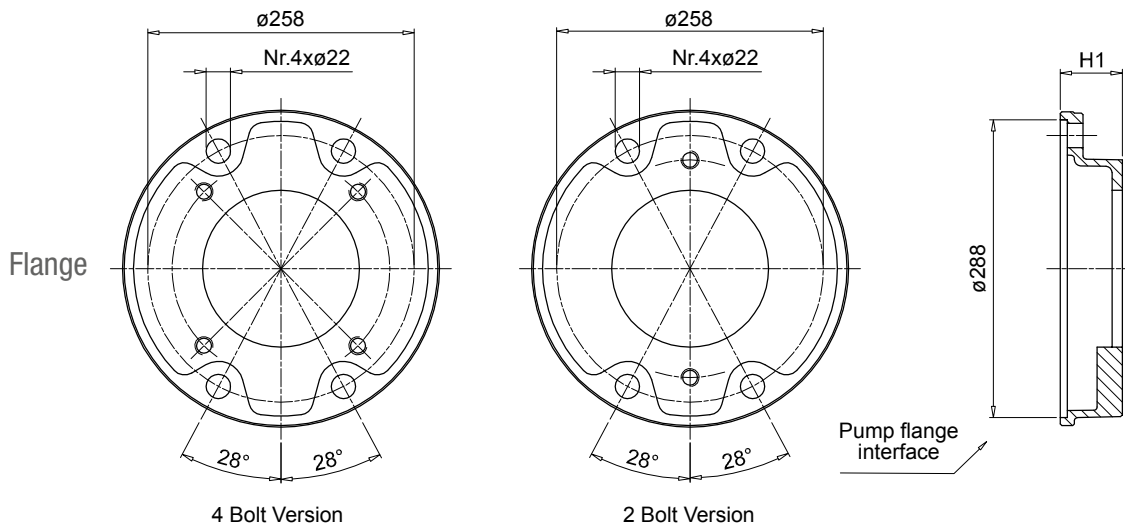
Pump flange code to be complete with available pump interface
Example: **FP6032S021**

1

Inspection Hole
Plastic threaded plug mounted
(protection according to DIN EN 292 part 2)
"Safety of machines"



Motor base code	Weight [kg]
BAD800A2707	31.00

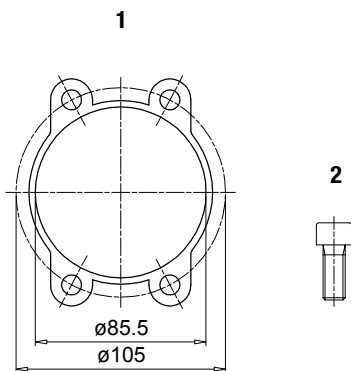


3

Pump flange code	H1	D1	D2	P	Mounting kit	Available pump interface		Weight [kg]
						2 Bolt	4 Bolt	
FP7052***	52				-	S028 - S108 - S112 - S133 - S192		4.4
FP7066***	66				KVG7	S090 - S092 - S166	-	4.8
FP7069***	69	288	258	22	See page 99	-	S108 - S143 - S148 - S192 - S201 - S204 - S281 - S282	4.9
FP7086***	86					S091 - S092 - S117 - S166 -	S022 - S027 - S028 - S108 - S112 - S184 - S192 - S201 - S228 - S300	5.2
FP7111***	111					S091 - S092 - S117 - S145	S028 - S108 - S112 - S133 - S184	6.3

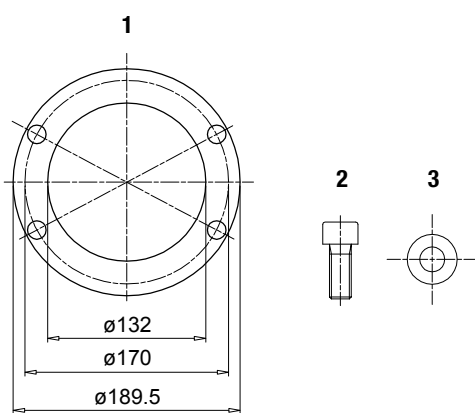
Pump flange code to be complete with available pump interface
Example: **FP7052S028**

KVG1



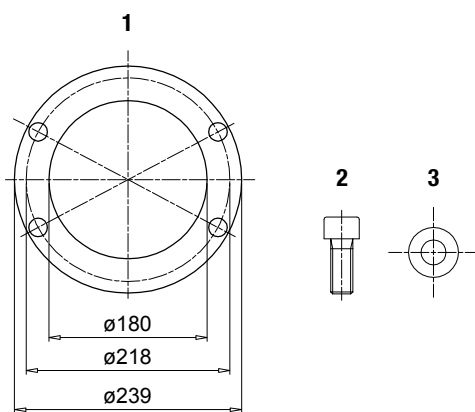
Components				
Item	Description	Q.ty	Material	Torque
1	Gasket for auxiliary flange FR1	1	Paper	-
2	Screw T.C.E.I. M8x20 UNI-5931 8.8	4	Steel	15 Nm

KVG5



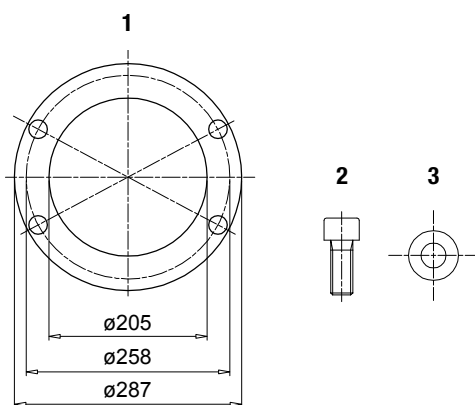
Components				
Item	Description	Q.ty	Material	Torque
1	Gasket for auxiliary flange FP5 / AD5	1	Paper	-
2	Screw T.C.E.I. M14x35 UNI-5931 8.8	4	Steel	90 Nm
3	Washer Schnorr 14	4	Steel	-

KVG6



Components				
Item	Description	Q.ty	Material	Torque
1	Gasket for auxiliary flange FP6 / AD6	1	Paper	-
2	Screw T.C.E.I. M16x35 UNI-5931 8.8	4	Steel	130 Nm
3	Washer Schnorr 16	4	Steel	-

KVG7



Components				
Item	Description	Q.ty	Material	Torque
1	Gasket for auxiliary flange FP7 / AD7	1	Paper	-
2	Screw T.C.E.I. M20x50 UNI-5931 8.8	4	Steel	200 Nm
3	Washer Schnorr 20	4	Steel	-