

LMC/LDC series

IEC electric motor range from size 80 up to size 355



Technical data

Bell-Housing - IEC electric motor range from size 80 up to size 355**Materials**

- Monobloc bell-housing: Pressure die-cast aluminium alloy
- Pump flange: Pressure die-cast aluminium alloy
- Screws kit: Steel
- Gaskets: Special paper (Guarnital)
- Plug for inspection: Nylon

Compatibility with fluids

Modular bell-housing components compatible for use with:

- Mineral oils types HH-LL-HM-HR-HV-HC, to ISO 6743/4 standard
- Water based emulsions types HFAE-HFAS, to ISO 6743/4 standard
- Water glycol type HFC, to ISO 6743/4 standard: ask for anodized version

Special Applications

Any applications not covered by the normal indications contained in this catalogue must be evaluated and approved by MP Filtri Technical and Sales Department

Temperature

From -30 °C to +80 °C

Note

For temperatures outside this range, contact MP Filtri Technical and Sales Department



Range

Bell-Housing size	Flange ISO 3019-2								IEC Motors size
	50 B2-B4	63 B2-B4	80 B2-B4	100 B2-B4	125 B2-B4	160 B2-B4	200 B2-B4		
LMC200	●	●	●	●					IEC 80 ø 200 - ø 19x40
LMC200	●	●	●	●					IEC 90 ø 200 - ø 24x50
LMC250	●	●	●	●	●				IEC 100 ø 250 - ø 28x60
LMC250	●	●	●	●	●				IEC 112 ø 250 - ø 28x60
LMC300			●	●	●	●			IEC 132 ø 300 - ø 38x80
LMC350			●	●	●	●			IEC 160 ø 350 - ø 42x110
LMC350			●	●	●	●	●		IEC 180 ø 350 - ø 48x110
LMC400			●	●	●	●	●		IEC 200 ø 400 - ø 55x110
LMC450			●	●	●	●	●		IEC 225 ø 450 - ø 60x140
LMC550					●	●	●		IEC 250 ø 550 - ø 65x140
LMC550					●	●	●		IEC 280 ø 550 - ø 75x140
LMC660					●	●	●		IEC 315 ø 660 - ø 80x170

Bell-Housing size	Flange SAE J 744										IEC Motors size	
	50-2 (A-A)	82-2 (A)	101-2 (B)	127-2 (C)	152-2 (D)	165-2 (E)	101-4 (B)	127-4 (D)	152-4 (D)	165-4 (E)		
LMC200	●	●										IEC 80 ø 200 - ø 19x40
LMC200	●	●										IEC 90 ø 200 - ø 24x50
LMC250	●	●	●				●					IEC 100 ø 250 - ø 28x60
LMC250	●	●	●	●			●					IEC 112 ø 250 - ø 28x60
LMC300		●	●	●			●	●				IEC 132 ø 300 - ø 38x80
LMC350		●	●	●			●	●				IEC 160 ø 350 - ø 42x110
LMC350		●	●	●	●		●	●	●			IEC 180 ø 350 - ø 48x110
LMC400		●	●	●	●	●	●	●	●	●		IEC 200 ø 400 - ø 55x110
LMC450			●	●	●	●		●	●	●		IEC 225 ø 450 - ø 60x140
LMC550				●	●	●		●	●	●		IEC 250 ø 550 - ø 65x140
LMC550				●	●	●		●	●	●		IEC 280 ø 550 - ø 75x140
LMC660				●	●	●		●	●	●		IEC 315 ø 660 - ø 80x170

Designation & Ordering code

LMC

Bell-Housing series and size

LMC200AFSJ	LMC350AFSU
LMC200AFSW	LMC400AFSV
LMC250AFSM	LMC450AFSZ
LMC250AFSQ	LMC550AFSN
LMC250AFSR	LMC550AFSO
LMC300AFST	LMC660AFSP
LMC300AFSX	LMC660AFSS
LMC350AFSY	

Configuration example: **LMC200AFSJ** **070** **DI**

Pump interface codes

070 See page 48

Options

DI	Drain hole + inspection hole
FG	Holes rotated through 45° in relation to standard position
DP	Double set of hole
AN	Black anodized finish
SA	Clearance holes at motor interface
Pxx	Customer specification

LDC

Bell-Housing series and size

LDC200AFRB	LDC350AF6B
LDC200AFRC	LDC400AF5A
LDC200AFRD	LDC400AF5B
LDC250AFRC	LDC400AF6A
LDC300AFRC	LDC400AF6B
LDC300AF5A	LDC450AF6A
LDC300AF5B	LDC450AF6B
LDC350AF6A	

Configuration example: **LDC200AFRB** **070** **DI**

Pump interface codes

070 See page 48

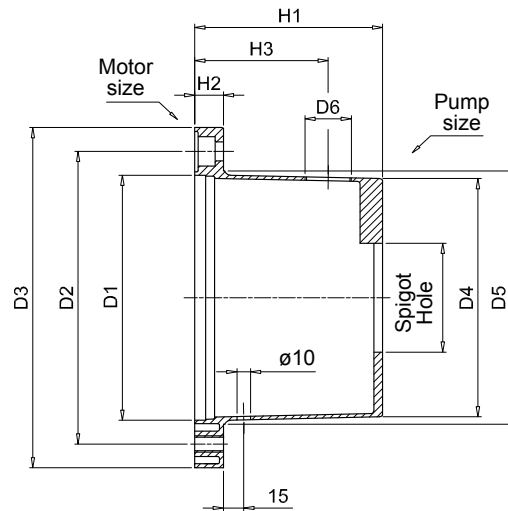
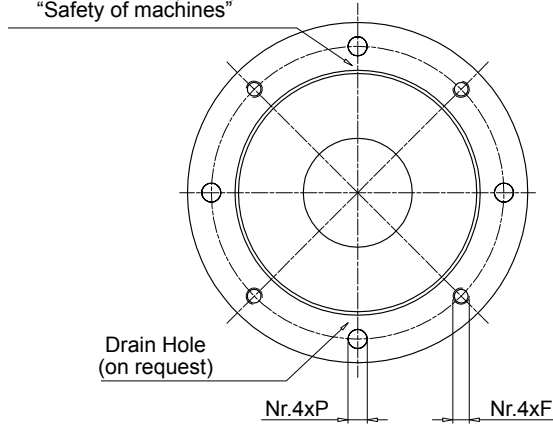
Options

DI	Drain hole + inspection hole
FG	Holes rotated through 45° in relation to standard position
DP	Double set of hole
AN	Black anodized finish
SA	Clearance holes at motor interface
Pxx	Customer specification

Note:

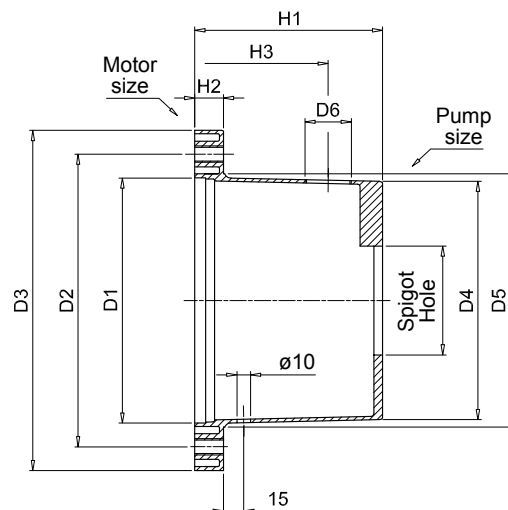
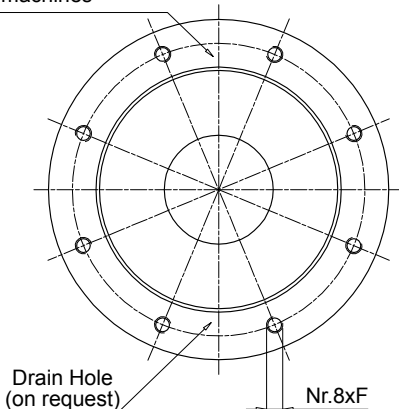
- Bell-housings with DI options are supplied complete with threaded closure plug.
- For customization features other than those indicated on this page, contact MP Filtri Technical and Sales Department.

Inspection Hole
Plastic threaded plug mounted
(protection according to DIN EN 292 part 2)
"Safety of machines"



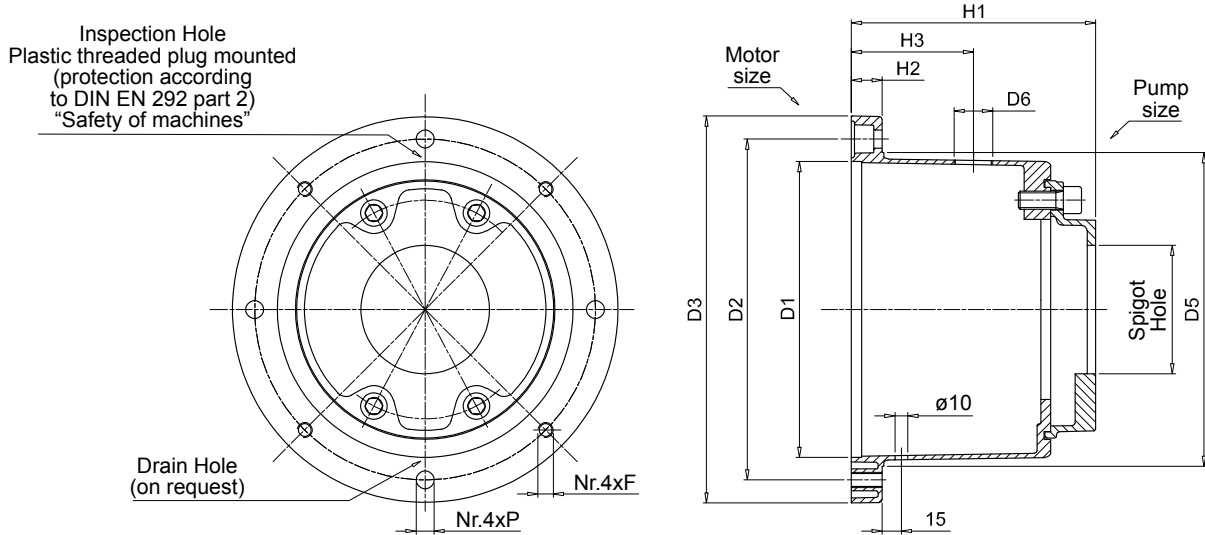
IEC - Electric motors		Bell-housing code	Dimensions [mm]										On request		Spigot hole Minimum [mm]	Weight [kg]
Motor size	Shaft end [d x l]		D1	D2	D3	D4	D5	H1	H2	F	P	H3	D6			
80	19x40	LMC200AFSJ***	130	165	200	125	135	100	18	M10	11	60	3/4"	50	0.75	
90	24x50	LMC200AFSW***	130	165	200	125	135	125	18	M10	11	85	3/4"	50	0.95	
110 - 112	28x60	LMC250AFSM***	180	215	250	175	186	114	19	M12	14	75	3/4"	50	1.50	
		LMC250AFSQ***	180	215	250	175	186	138	19	M12	14	100	3/4"	50	1.60	
		LMC250AFSR***	180	215	250	175	186	159	19	M12	14	120	3/4"	50	1.75	
132	38x80	LMC300AFST***	230	265	300	230	235	155	23	M12	14	80	3/4"	80	3.20	
		LMC300AFSX***	230	265	300	230	235	170	23	M12	14	95	3/4"	80	3.30	
160	42x110	LMC350AFSY***	250	300	350	240	254	178	31	M16	18	95	1"	50	4.80	
180	48x110	LMC350AFSU***	250	300	350	240	254	194	31	M16	18	115	1"	80	4.90	
200	55x110	LMC400AFSV***	300	350	400	280	305	201	31	M16	18	125	1 1/2"	80	6.50	

Inspection Hole
Plastic threaded plug mounted
(protection according to DIN EN 292 part 2)
"Safety of machines"

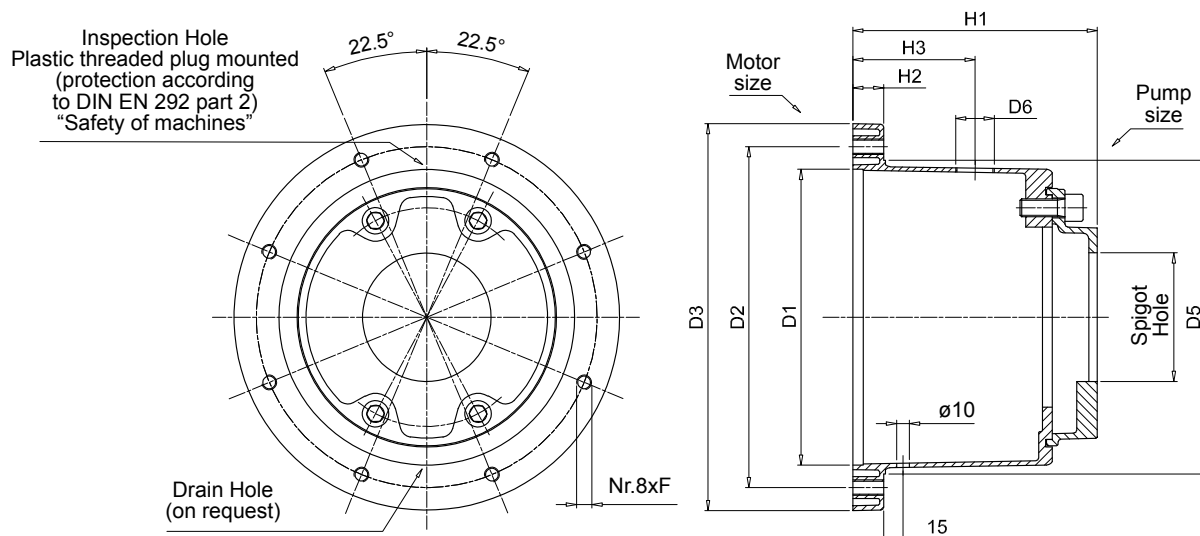


IEC - Electric motors		Bell-housing code	Dimensions [mm]										On request		Spigot hole Minimum [mm]	Weight [kg]
Motor size	Shaft end [d x l]		D1	D2	D3	D4	D5	H1	H2	F	P	H3	D6			
225	60x140	LMC450AFSZ***	350	400	450	320	350	250	31	M16	-	175	1 1/2"	80	9.00	
250	65x140	LMC550AFSN***	450	500	550	-	-	265	31	M16	-	175	1 1/2"	100	15.00	
280	75x140	LMC550AFSO***	450	500	550	-	-	310	35	M16	-	175	1 1/2"	100	17.00	
315	80x170	LMC660AFSP***	550	600	660	-	-	295	35	M16	-	175	1 1/2"	100	27.00	
		LMC660AFSS***	550	600	660	-	-	325	45	M20	-	175	1 1/2"	100	31.00	

Dimensions



IEC - Electric motors		Bell-housing code	Dimensions [mm]									On request		Spigot hole Minimum [mm]	Weight [kg]
Motor size	Shaft end [d x l]		D1	D2	D3	D5	H1	H2	F	P	H3	D6			
80	19x40	LDC200AFRB***	130	165	200	135	125	18	M10	11	60	3/4"	50	1.85	
90	24x50	LDC200AFRC***	130	165	200	135	133	18	M10	11	60	3/4"	50	1.95	
		LDC200AFRD***	130	165	200	135	158	18	M10	11	75	3/4"	50	2.10	
110 - 112	28x60	LDC250AFRC***	180	215	250	186	169	19	M12	14	100	3/4"	50	2.75	
132	38x80	LDC300AFRC***	230	265	300	235	185	23	M12	14	95	3/4"	50	4.60	
		LDC300AF5A***	230	265	300	235	190	23	M12	14	95	3/4"	80	4.50	
		LDC300AF5B***	230	265	300	235	181	23	M12	14	95	3/4"	80	4.80	
160	42x110	LDC350AF6A***	250	300	350	254	239	31	M16	18	115	1"	80	6.80	
180	48x110	LDC350AF6B***	250	300	350	254	252	31	M16	18	115	1"	80	7.30	
200	55x110	LDC400AF5A***	300	350	400	305	246	31	M16	18	125	1 1/2"	80	7.50	
		LDC400AF5B***	300	350	400	305	234	31	M16	18	125	1 1/2"	80	7.90	
		LDC400AF6A***	300	350	400	305	246	31	M16	18	125	1 1/2"	80	8.50	
		LDC400AF6B***	300	350	400	305	260	31	M16	18	125	1 1/2"	80	9.00	



IEC - Electric motors		Bell-housing code	Dimensions [mm]								On request		Spigot hole Minimum [mm]	Weight [kg]
Motor size	Shaft end [d x l]		D1	D2	D3	D5	H1	H2	F	P	H3	D6		
225	60x140	LDC450AF6A***	350	400	450	350	295	31	M16	-	175	1 1/2"	80	11.20
		LDC450AF6B***	350	400	450	350	308	31	M16	-	175	1 1/2"	80	11.60

Comparative table

MP Filtri code	KTR code	OMT code	Raja code	Hydrapp code
LMC200A***	PK200/3/...	TH20A***	R200/99-115/...	-
LMC200A***	PL200/8/...	TH1***	R200/120-135/...	HLC1
LMC250A***	PL250/6/...	TH2***	R250/120-135/...	HLC3
LMC300A***	PL300/4/...	TH3***	R300/155-170/...	HLC5
LMC350A***	PK350/4/...	TH4***	R350/173-194/...	HLC8
LMC400A***	PK400/4/...	TH15***	R400/194-210/...	HLC12
LMC450A***	PK450/4/...	TH18***	R450/250-210/...	-
LMC550A***	PK550/4/...	TH19***	R550/250-210/...	-
LMC660A***	PK660/4/...	TH20***	R660/250-210/...	-

Note:

The above table is guideline only.
Not all bell-housings are fully interchangeable.