

BS110 & BS500

Bottle Samplers - For use with MP Filtri's portable APC



Description

Automatic Particle Counters

Bottle Samplers

The 110ml bottle samplers are suitable for off-line and laboratory applications where fluid sampling at point of use is inaccessible or impractical.

A fluid de-aeration facility comes as standard.

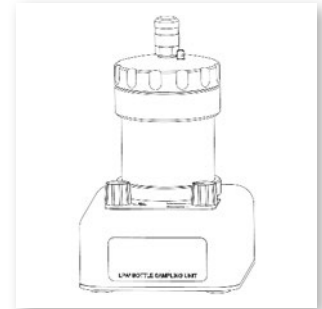
> Features & Benefits

- Vacuum feature for de-aeration of fluids
- Compatible with all portable MP Filtri Contamination Monitoring Products
- Strong Laboratory aesthetic
- Transparent outer for visual indication
- Full accessories kit included
- Includes carry case (BS110)
- Contact MP Filtri for use with fluids other than those stated

Scope of Supply

- 1 x 110ml Bottle Sampling unit
- 1 x Pressure cap
- 1 x Vacuum cap
- 1 x M16x2 microbore pressure hose, 600mm long
- 1 x 1L waste receptacle
- 1 x 12V, 2A power adapter c/w UK/EU/US/AUS/CN heads
- 1 x pack of disposable dip tubes
- 1 x hand pump
- 1 x length of hose for hand pump
- 3 x 100ml clear plastic bottles
- 1 x Hard copy of product user guide
- 1 x Digital copy of user guides/software/drivers
- 2 x Thermal printer paper
- 1 x Carry case

See Accessories at page 77.



Left facing view



Front facing view



Open case
Front facing view

Technical data

Max. Chamber Pressure

2.5bar (36.3psi) only

Min. Chamber Pressure

0.61bar (8.85psi) to 0.81bar (11.75psi)

For use with....

MP Filtri Portable Contamination Monitoring Products

Supply Voltage

12v, 2 amp

Wetted Parts (Internal)

Aluminium HE30, 303 Stainless Steel, Polyurethane, FPM, Acrylic

On/off & Stop/Start signals

Switch (Manual Operation)

Hydraulic Hoses (External)

600mm x 2mm ID Microbore minimess hose

Max Flow Rate (ml/min)

Viscosity dependant

Min Flow Rate (ml/min)

Viscosity dependant

Visual Pressure Indicator

No

Weight

7kg

Pressure Gauge

No

Pressure Ranges

2.0bar (29psi) options

IP Rating

IP50

Fluid Compatibility / Corrosion Resistance

Industrial Hydrocarbon based fluids (typical)

Min Outlet Pressure

1013mbar (14.7psi)

Max. Fluid Temperature (Continuous)

80°C/176°F

Min Fluid Temperature

Viscosity dependant

Max. Viscosity

400 cSt

Min. Viscosity

1 cSt

Max outlet pressure

2.0bar (29psi) options

Min. Continuous Ambient Temperature

10°C/50°F

Max. Continuous Ambient Temperature

55°C/131°F

Power Consumption

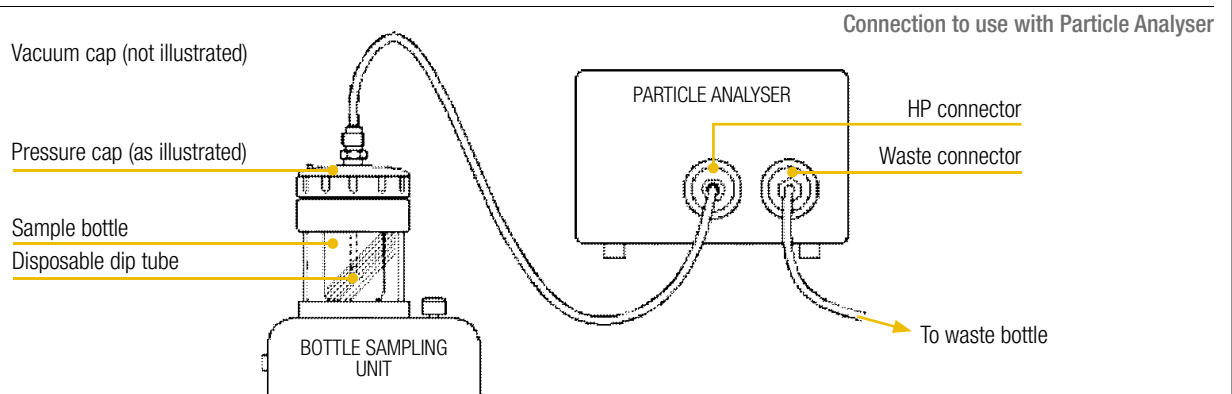
24W

Warranty

12 months

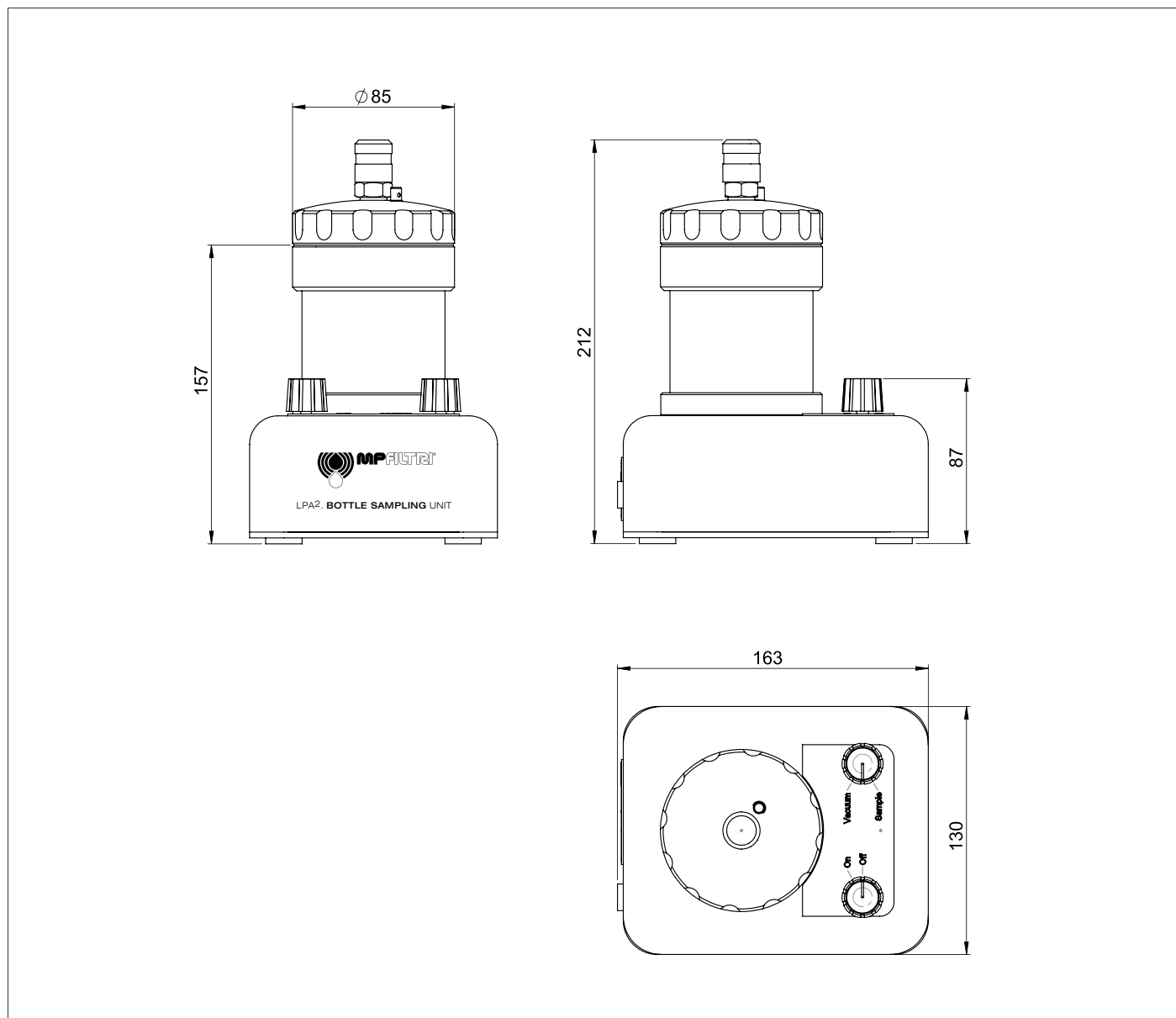
Installation

Indoor Use / Laboratory Use



BS110 Bottle Samplers

Dimensions



Designation & Ordering code

BOTTLE SAMPLER BS110				
Series	BS110	110ml fluid volume	Configuration example:	BS110 M 0 0
Fluid compatibility	M	Mineral oil and synthetic fluids		
Pressure rating	0	2 bar		
Pressure cylinder option	0	Acrylic cylinder assembly		

Description

Automatic Particle Counters

Bottle Samplers

The 500ml bottle samplers are suitable for off-line and laboratory applications where fluid sampling at point of use is inaccessible or impractical.

A fluid de-aeration facility comes as standard.

> Features & Benefits

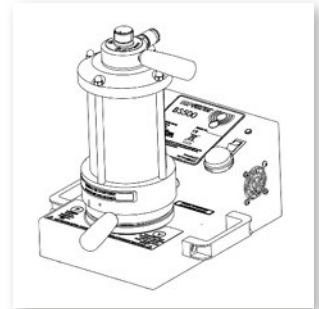
- Vacuum feature for de-aeration of fluids
- Compatible with all portable MP Filtri Contamination Monitoring Products
- Strong Laboratory aesthetic
- Transparent outer for visual indication
- Full accessories kit included
- Contact MP Filtri for use with fluids other than those stated

Scope of Supply

- 1 x 500ml Bottle Sampling base unit (*)
- 1 x Top cap, pressure/vacuum chamber (*)
- 1 x M16x2 microbore pressure hose, 600mm long
- 1 x Power adapter
- 1 x UK/EU/US/AUS/CN power lead*
- 3 x 210ml clear glass bottles
- 2 x 500ml clear glass bottles
- 1 x Digital copy of user guides/software/drivers

(*) Specific model will be as per ordered item

See Accessories at page 77.



Front / Left facing view



Front / Right facing view



Back / Right facing view



Back / Left facing view

Technical data

Max. Chamber Pressure

2.5bar (36.3psi) (standard), 4.5bar (65.3psi) (high pressure)

Min. Chamber Pressure

0.61bar (8.85psi) to 0.81bar (11.75psi)

For use with....

MP Filtri Portable Contamination Monitoring Products

Supply Voltage

12v, 5 amp

Wetted Parts (Internal)

Aluminium 6082 T6, 303 Stainless Steel, 316 Stainless Steel.
Seal & Cylinder material optional

On/off & Stop/Start signals

Switch (Manual Operation)

Hydraulic Hoses (External)

600mm x 2mm ID Microbore minimess hose

Max Flow Rate (ml/min)

Viscosity dependant

Min Flow Rate (ml/min)

Viscosity dependant

Visual Pressure Indicator

Yes

Weight

9kg

Pressure Gauge

Yes (only on 4.5bar version)

Pressure Ranges

4.5bar (65.3psi) or 2.5bar (36.3psi) options

IP Rating

IP50

Fluid Compatibility / Corrosion Resistance

Industrial, aerospace & off-shore control fluids (typical)

Min Outlet Pressure

1013mbar (14.7psi)

Max. Fluid Temperature (Continuous)

80°C/176°F

Min Fluid Temperature

Viscosity dependant

Max. Viscosity

Not greater than 400cSt (on 2.5bar version)

Not greater than 1500cSt (on 4.5bar version)

Min. Viscosity

1 cSt

Max outlet pressure

Version dependant: 2.5bar (36.3psi) for O version

4.5bar (65.3psi) for H version

Min. Continuous Ambient Temperature

10°C/50°F

Max. Continuous Ambient Temperature

55°C/131°F

Power Consumption

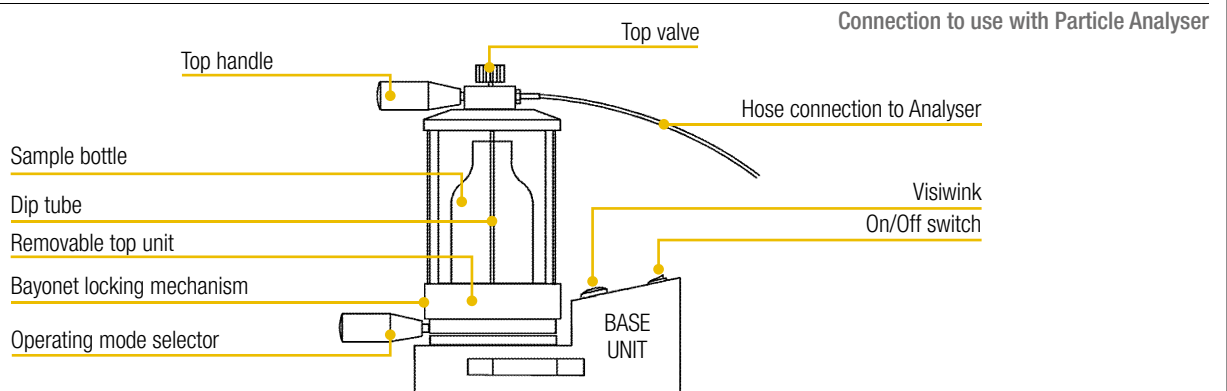
60W

Warranty

12 months

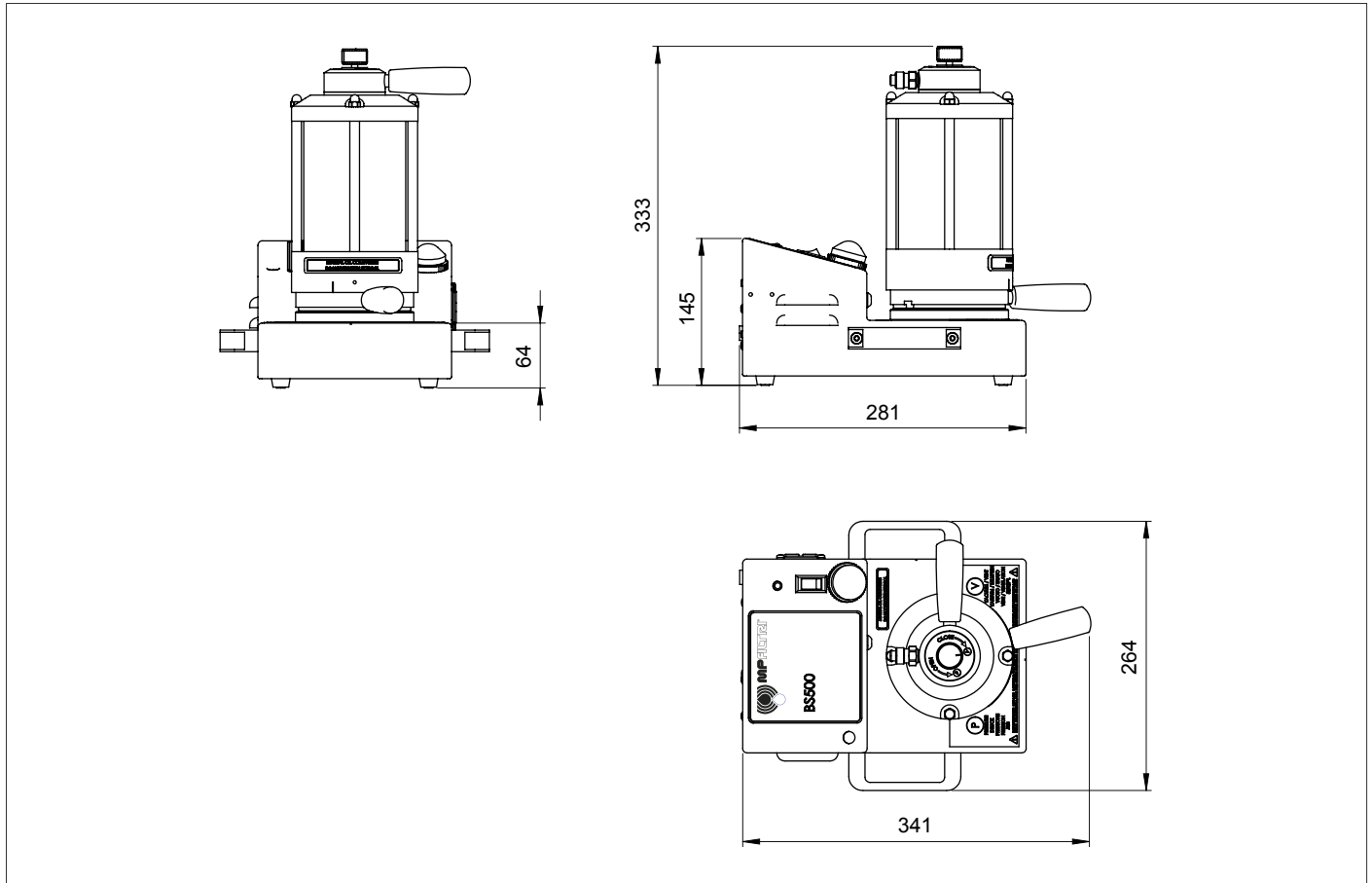
Installation

Indoor Use / Laboratory Use



BS500 Bottle Samplers

Dimensions



Designation & Ordering code

BOTTLE SAMPLER BS500	
Series BS500 500ml fluid volume	Configuration example: BS500 V 0 0 UK
Fluid compatibility	
V Mineral oil and synthetic fluids, Subsea and water based fluids	
E Phosphate ester and aggressive fluids	
S Phosphate ester and aggressive fluids, Mineral oil and synthetic fluids, Subsea and water based fluids	
Pressure rating	
0 2 bar, standard option	
H 4 bar, high pressure option (*)	
Pressure cylinder option	
0 Acrylic cylinder assembly	
S Glass cylinder assembly (**)	
Power adapter options	
UK UK power adapter	
EU European power adapter	
US USA power adapter	
AU/CN Australasia power adapter	

(*) = H version only available in BS500 V version

(**) = Glass version only available in BS500 E & S version