

LMP 124 series

MULTI-PORT

Maximum pressure up to 80 bar - Flow rate up to 200 l/min



Technical data

Return / Suction filter
In-line

Maximum pressure up to 80 bar - Flow rate up to 200 l/min

Filter housing materials

- Head: Aluminium
- Housing: Cataphoresis - Painted Steel
- Bypass valve: Brass - Aluminium

Seals

- Standard NBR series A
- Optional FPM series V

Pressure

- Working pressure: 8 MPa (80 bar)
- Test pressure: 12MPa (120 bar)
- Burst pressure: 38 MPa (380 bar)
- Pulse pressure fatigue test: 1 000 000 cycles with pressure from 0 to 80 bar (8 MPa)

Temperature

From -25 °C to +110 °C

Note

LMP124 filters are provided for vertical mounting

Bypass valve

- Opening pressure 250 kPa (2.5 bar)
- Other opening pressures on request.

Δp element type

- Microfibre filter elements - series N - W: 20 bar
- Fluid flow through the filter element from OUT to IN.

Weights [kg] and volumes [dm³]

	Weights [kg]					Volumes [dm ³]				
	Length	1	2	3	4	Length	1	2	3	4
LMP 124		1.70	1.90	2.20	2.70		0.75	0.81	1.11	1.53

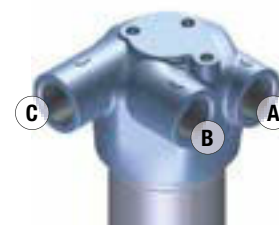
Multipoint styles

Style C - D - E - F

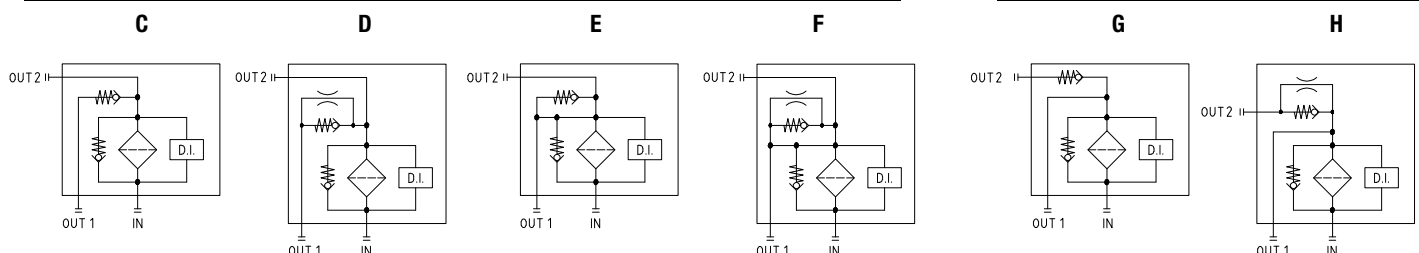


- A** Return
- B** Tank
- C** Pump

Style G - H

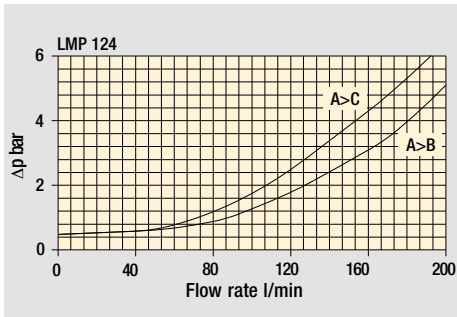


- A** Return
- B** Pump
- C** Tank

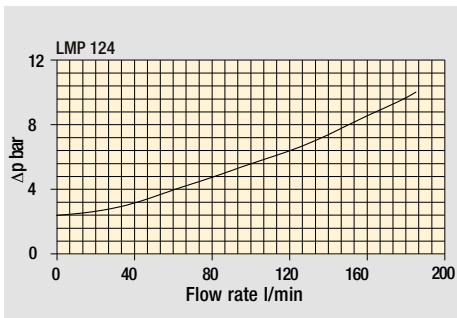


The curves are plotted using mineral oil with density of 0.86 kg/dm³ in compliance with ISO 3968.
 Δp varies proportionally with density.

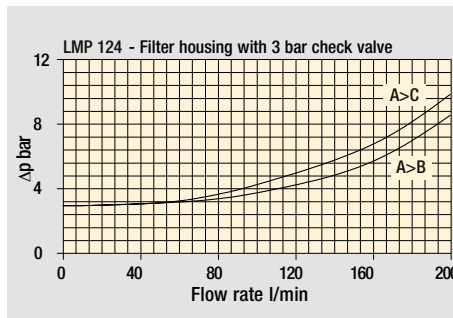
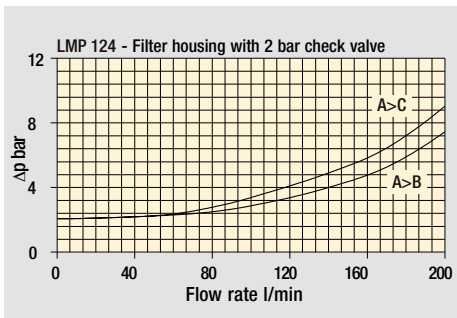
Pressure drop



Filter housings Δp pressure drop

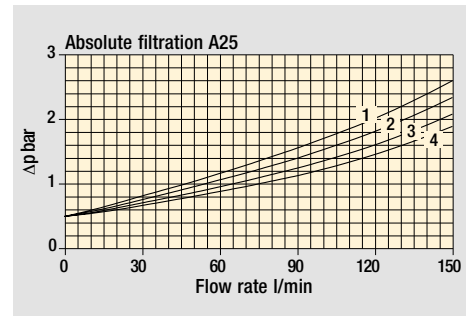
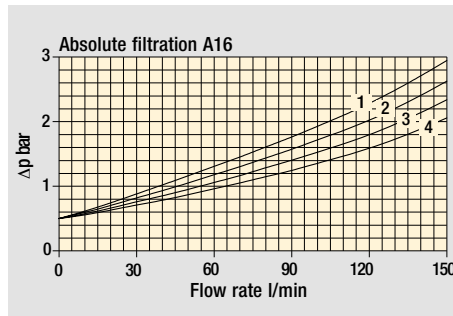
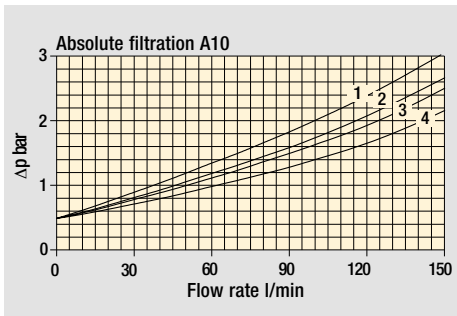


Bypass valve pressure drop

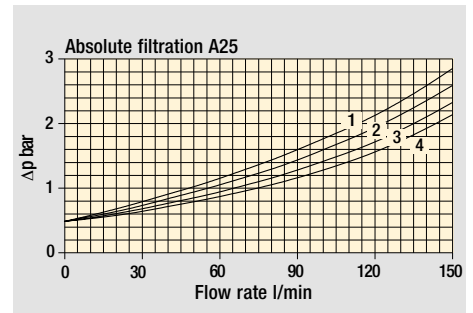
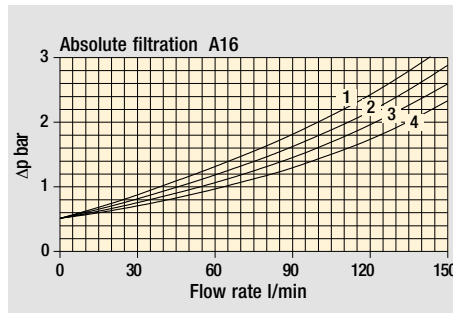
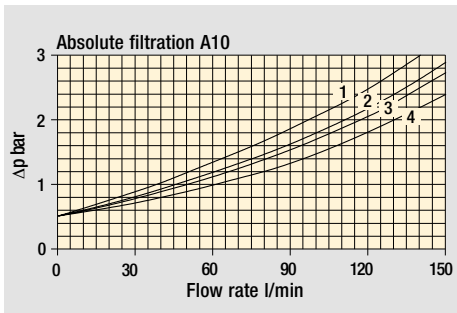


STYLE C - D - E - F

Filter length: 1 - 2 - 3 - 4



STYLE G - H



Designation & Ordering code

COMPLETE FILTER

Series ad size LMP124	Configuration example: LMP124 4 C A F 1 A10 N P01									
Filter length 1 2 3 4										
Hydraulic diagram configuration - see previous page C D E F G H										
Seals and treatments	Filtration rating									
A NBR	Axx	Mxx	Pxx							
V FPM	•	•	•							
W NBR compatible with fluids HFA-HFB-HFC	•	•								
Connections B G1" F SAE 16 - 1 5/16" - 12 UN										
Connection for indicator 1 Without 2 With connection G1/8" for clogging indicator 3 With connection G1/4" for clogging indicator 4 With connection for differential indicator										
Filtration rating (filter media)										
A03 Inorganic microfiber 3 µm	M25 Wire mesh 25 µm									
A06 Inorganic microfiber 6 µm	M60 Wire mesh 60 µm									
A10 Inorganic microfiber 10 µm	M90 Wire mesh 90 µm									
A16 Inorganic microfiber 16 µm	P10 Resin impregnated paper 10 µm									
A25 Inorganic microfiber 25 µm	P25 Resin impregnated paper 25 µm									
				Filter element Δp N 20 bar			Execution P01 MP Filtri standard Pxx Customized			

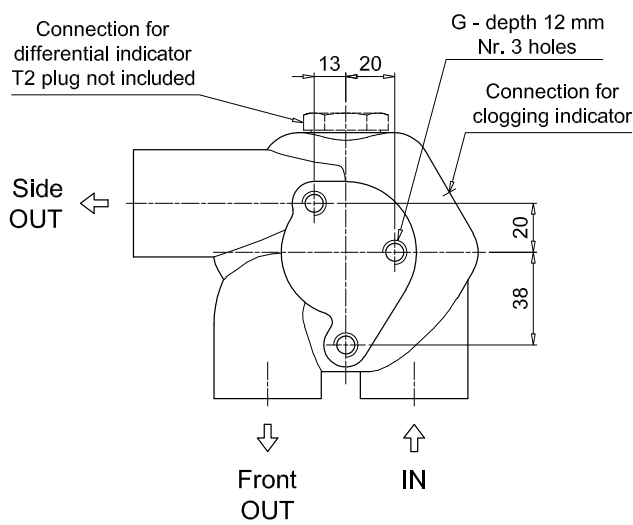
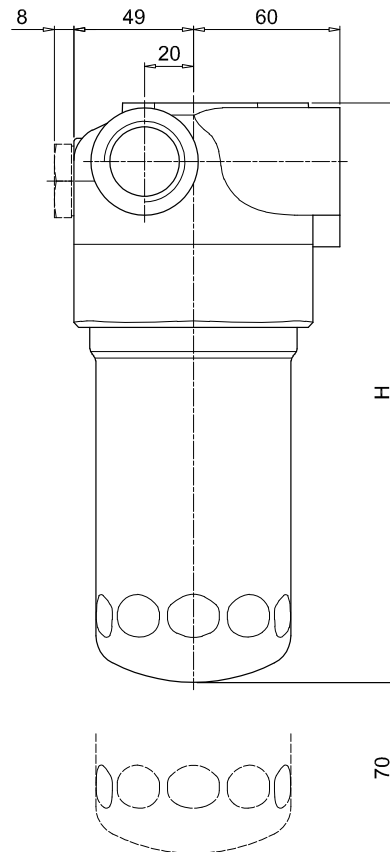
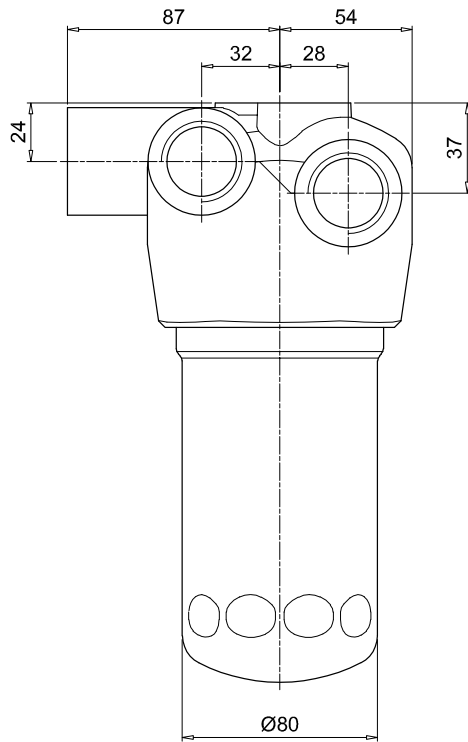
FILTER ELEMENT

Filter element series ad size CU110	Configuration example: CU110 4 A10 A N P01							
Filter element length 1 2 3 4								
Filtration rating (filter media)								
A03 Inorganic microfiber 3 µm	M25 Wire mesh 25 µm							
A06 Inorganic microfiber 6 µm	M60 Wire mesh 60 µm							
A10 Inorganic microfiber 10 µm	M90 Wire mesh 90 µm							
A16 Inorganic microfiber 16 µm	P10 Resin impregnated paper 10 µm							
A25 Inorganic microfiber 25 µm	P25 Resin impregnated paper 25 µm							
Seals	Filtration rating							
A NBR	Axx	Mxx	Pxx					
V FPM	•	•	•					
W NBR compatible with fluids HFA-HFB-HFC	•	•						
				Filter element Δp N 20 bar		Execution P01 MP Filtri standard Pxx Customized		

ACCESSORIES

Clogging indicators	page						page
BVA Axial pressure gauge	248		BEA Electrical pressure indicator				246
BVR Radial pressure gauge	248		BEM Electrical pressure indicator				246
BVP Visual pressure indicator with automatic reset	249		BET Electrical pressure indicator				246-247
BVQ Visual pressure indicator with manual reset	249		BLA Electrical / visual pressure indicator				247-248
Differential indicators	page						page
DEA Electrical differential indicator	250		DTA Electronic differential indicator				253
DEM Electrical differential indicator	250-251		DVA Visual differential indicator				253
DLA Electrical / visual differential indicator	251-252		DVM Visual differential indicator				253
DLE Electrical / visual differential indicator	252						
Additional features	page						
T2 Plug	254						

LMP 124	
MULTIPORT	
Filter length	H [mm]
1	182
2	215
3	265
4	365
Connections	R
B	M10
F	3/8" UNC

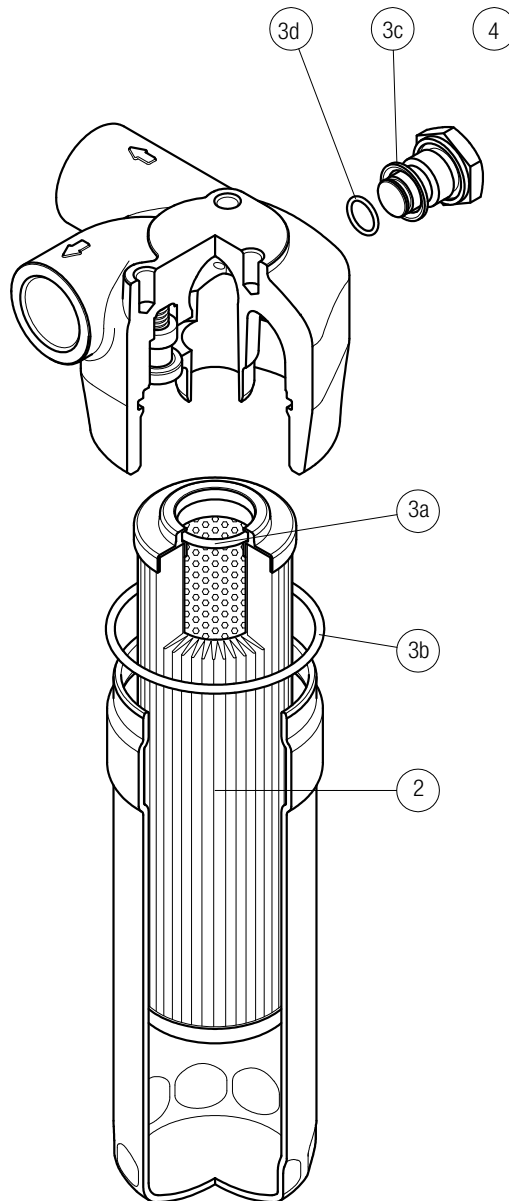


LMP 124 SPARE PARTS

MULTIPOINT

Order number for spare parts

LMP 124 MULTIPOINT



Item:	Q.ty: 1 pc.		Q.ty: 1 pc.		Q.ty: 1 pc.	
Filter series	Filter element	Seal Kit code number		Indicator connection plug		
LMP 124 MULTIPOINT	See order table	NBR	FPM	NBR	FPM	
	2	3 (3a ÷ 3d)		4		
		02050478	02050479	T2H	T2V	