



THE **X** CONCEPT FOR OUR FILTERS

Protect the performance of your system with MYclean.
Quality and efficiency are fundamental for MP Filtri:
this exclusive new filter element possesses polygon shape geometry and specific seal
that ensures only original spare parts can be used - ensuring correct operation and
higher system reliability.

SFEX series

with **MYCLEAN** FEX Filter Element



- **Protects the machine from improper use of non-original products.**
- **Safety of constant quality protection & reliability**

With exclusive filter element you are sure that only MP Filtri filter elements can be used, ensuring the best cleaning level of the oil due to the use of originals filter elements.



The products identified as SFEX are protected by:

- Italian Patent n° 102014902261205
- Canadian Patent n° 2,937,258
- European Patent n° 3 124 092 B1
- US Patent n° 20170030384 A1

SFEX series

Flow rate up to 100 l/min

 ELIXIR®

Description

Technical data

Suction filters

Flow rate up to 100 l/min

SFEX are range of suction filters for protection of the downstream pump against the coarse contamination.

They are placed below the minimum oil level, directly connected to the suction line of the pump in-line mounted.

Available features:

- Female threaded connections up to 1 1/4" and flanged connections up to 1 5/8", for a maximum flow rate of 100 l/min
- Bypass valve, to relieve excessive pressure drop across the filter media
- Visual, electrical, axial and radial vacuum gauges
- MYclean interface connection for the filter element, to protect the product against non-original spare parts
- External protective wrap, to optimize the flow through the element and to save the element efficiency against non-proper handling

Common application:

- Mobile machines
- Industrial equipment

Filter housing materials

- Head: Aluminium
- Bypass valve: Polyamide - Steel
- Bowl: Polyamide

Bypass valve

Opening pressure 30 kPa (0.3 bar) \pm 10%

Elements

Fluid flow through the filter element from OUT to IN

Seals

Standard NBR series A

Temperature

From -25 °C to +110 °C

Note

SFEX filters are provided for vertical mounting

Weights [kg] and volumes [dm³]

Filter series	Weights [kg]	Volumes [dm ³]
SFEX 060	1.00	0.60
SFEX 080	1.15	0.80
SFEX 110	1.90	1.60
SFEX 160	2.10	2.00

Hydraulic symbols

Filter series	Style S	Style B
SFEX 060	•	•
SFEX 080	•	•
SFEX 110	•	•
SFEX 160	•	•

Filter element design - N Series

Filter series	M60	M90	M250	P10	P25
SFEX 060	26	27	27	14	17
SFEX 080	28	29	29	21	23

Connections of filter under test G 3/4"

Filter series	M60	M90	M250	P10	P25
SFEX 060	31	33	33	13	20
SFEX 080	34	35	35	24	30

Connections of filter under test G 1"

Filter series	M60	M90	M250	P10	P25
SFEX 110	93	96	96	48	53
SFEX 160	98	99	99	60	65

Connections of filter under test G 1 1/4"

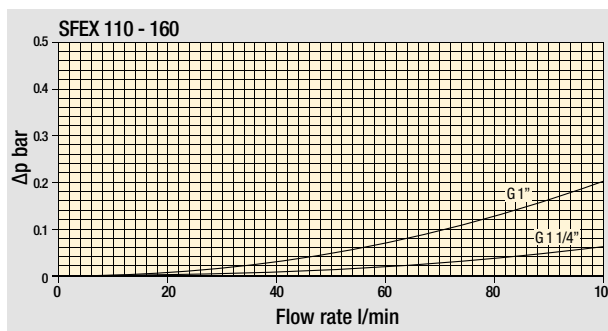
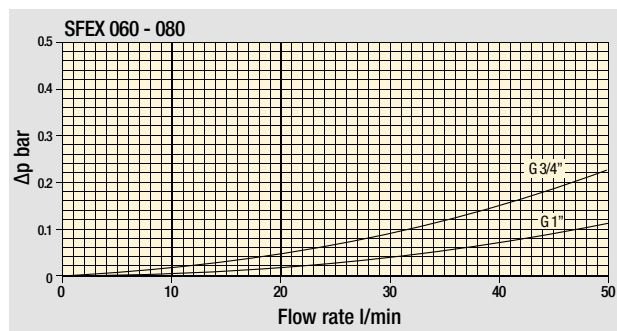
Maximum flow rate for a complete suction filter with a pressure drop $\Delta p = 0.08$ bar.

The reference fluid has a kinematic viscosity of 30 mm²/s (cSt) and a density of 0.86 kg/dm³.

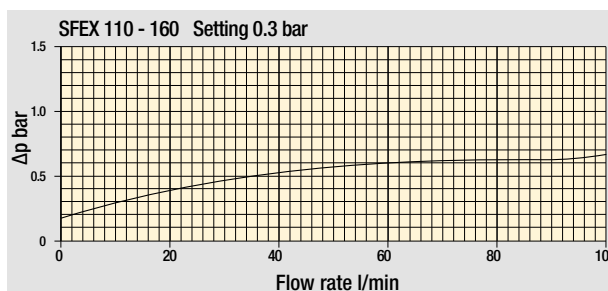
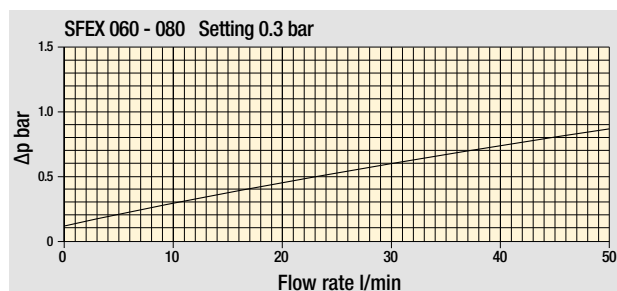
For different pressure drop or fluid viscosity we recommend to use our selection software available on www.mpfiltri.com.

Please, contact our Sales Department for further additional information.

Pressure drop



Filter housings
 Δp pressure drop



Bypass valve
pressure drop

The curves are plotted using mineral oil with density of 0.86 kg/dm³ in compliance with ISO 3968.

Δp varies proportionally with density.

SFEX SFEX060 - SFEX080

Designation & Ordering code

COMPLETE FILTER

Series and size	Configuration example: SFEX060							B	A	A	6	M60	N	P01
SFEX060 SFEX080 Filter featuring MY CLEAN Filter Element														
Bypass valve														
S Without bypass														
B With bypass 0.3 bar														
Seals and treatments														
A NBR														
Connections														
A G 3/4"														
B G 1"														
C 3/4" NPT														
D 1" NPT														
E SAE 12 - 1 1/16" - 12 UN														
F SAE 16 - 1 5/16" - 12 UN														
Connection for clogging indicator														
6 With plugged connections														
Filtration rating														
M60 Wire mesh 60 µm	P10 Resin impregnated paper 10 µm													
M90 Wire mesh 90 µm	P25 Resin impregnated paper 25 µm													
M250 Wire mesh 250 µm														
	Element Δp							Execution						
	N 8 bar							P01 MP Filtri standard						
								Pxx Customized						

FILTER ELEMENT

Element series and size	Configuration example: FEX060							M60	A	N	P01
FEX060 FEX080 Filter Element with MY CLEAN feature											
Filtration rating											
M60 Wire mesh 60 µm	P10 Resin impregnated paper 10 µm										
M90 Wire mesh 90 µm	P25 Resin impregnated paper 25 µm										
M250 Wire mesh 250 µm											
Seals and treatments											
A NBR											
	Element Δp							Execution			
	N 8 bar							P01 MP Filtri standard			
								Pxx Customized			

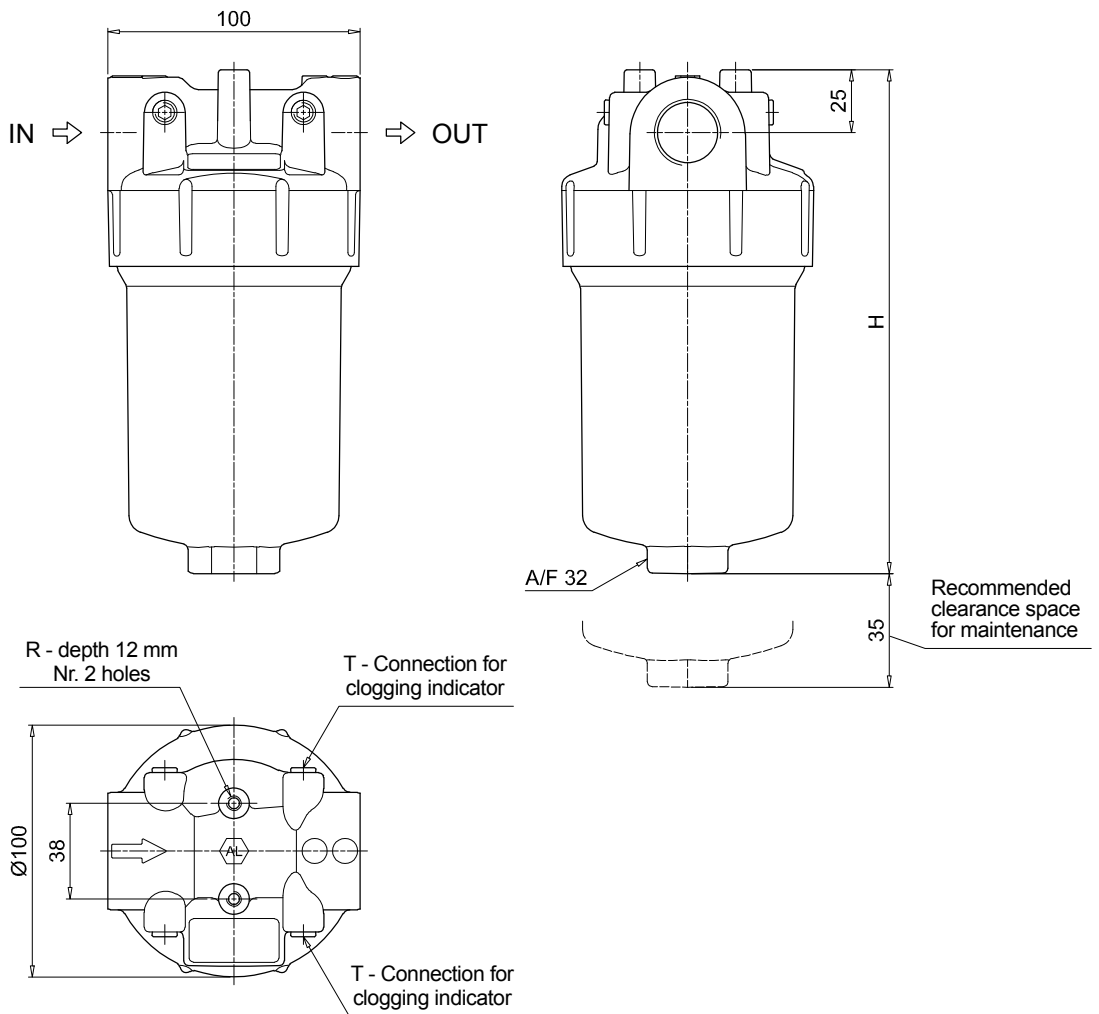
CLOGGING INDICATORS

See page 679

VEB Electrical vacuum indicator
VLB Electrical/visual vacuum indicator
VVB Axial pressure gauge
VVS Radial pressure gauge

Filter size	H [mm]	
060	202	
080	265	

Connections	T	R
A	G 1/8"	M6
B	G 1/8"	M6
C	1/8" NPT	1/4" UNC
D	1/8" NPT	1/4" UNC
E	1/8" NPT	1/4" UNC
F	1/8" NPT	1/4" UNC



SFEX SFEX110 - SFEX160

Designation & Ordering code

COMPLETE FILTER

Series and size Configuration example: **SFEX110** **B** **A** **A** **6** **M60** **N** **P01**

SFEX110 | **SFEX160** Filter featuring **MY CLEAN** Filter Element

Bypass valve

- S** Without bypass
- B** With bypass 0.3 bar

Seals and treatments

- A** NBR

Connections

- A** G 1"
- B** G 1 1/4"
- C** 1" NPT
- D** 1 1/4" NPT
- E** SAE 16 - 1 5/16" - 12 UN
- F** SAE 20 - 1 5/8" - 12 UN

Connection for clogging indicator

- 6** With plugged connections

Filtration rating

- | | | | |
|-----------------------|--------|------------------------------------|-------|
| M60 Wire mesh | 60 µm | P10 Resin impregnated paper | 10 µm |
| M90 Wire mesh | 90 µm | P25 Resin impregnated paper | 25 µm |
| M250 Wire mesh | 250 µm | | |

Element Δp
N 8 bar

Execution
P01 MP Filtri standard
Pxx Customized

FILTER ELEMENT

Element series and size Configuration example: **FEX110** **M60** **A** **N** **P01**

FEX110 | **FEX160** Filter Element with **MY CLEAN** feature

Filtration rating

- | | | | |
|-----------------------|--------|------------------------------------|-------|
| M60 Wire mesh | 60 µm | P10 Resin impregnated paper | 10 µm |
| M90 Wire mesh | 90 µm | P25 Resin impregnated paper | 25 µm |
| M250 Wire mesh | 250 µm | | |

Seals and treatments

- A** NBR

Element Δp
N 8 bar

Execution
P01 MP Filtri standard
Pxx Customized

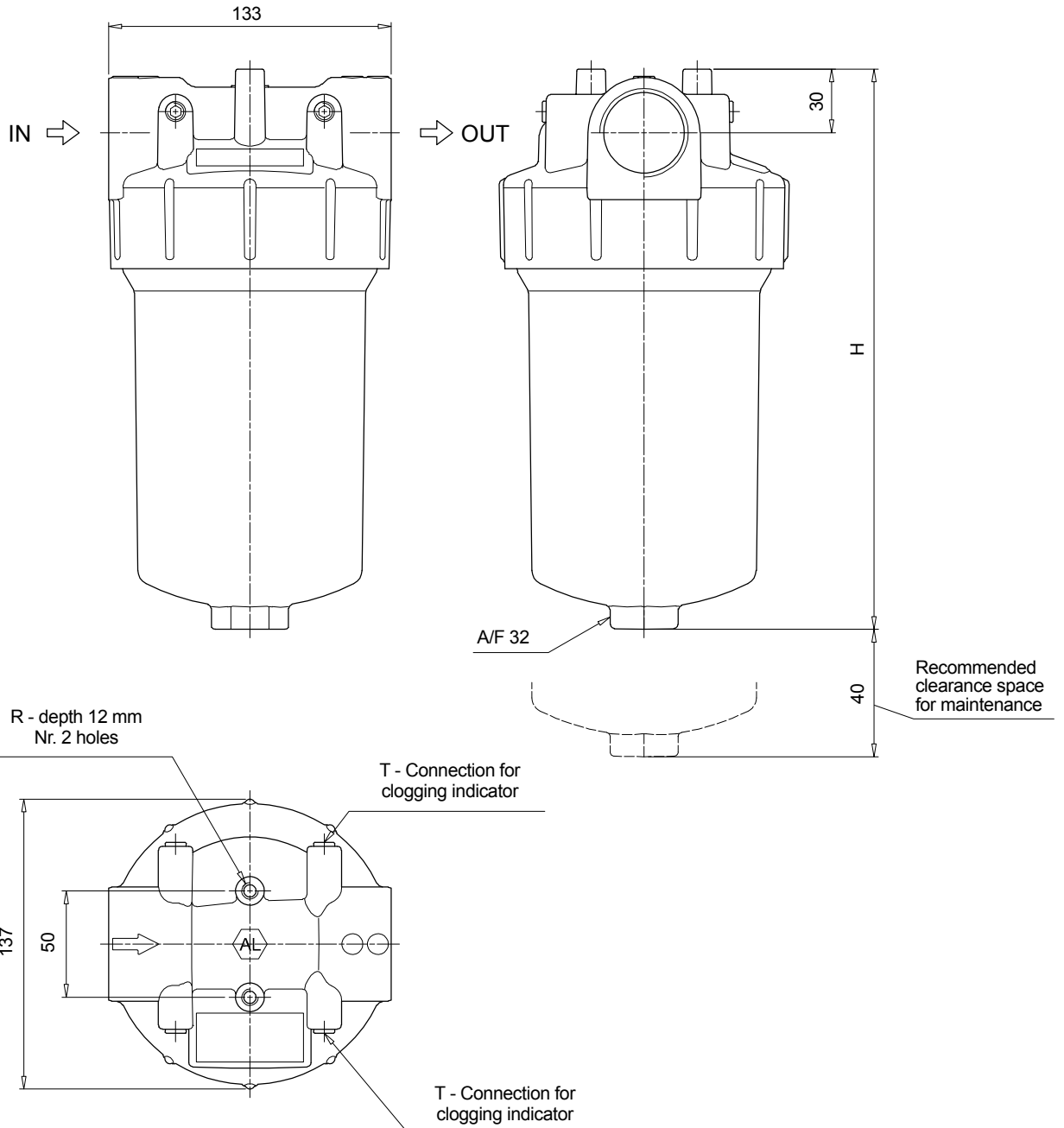
CLOGGING INDICATORS

See page 679

- VEB** Electrical vacuum indicator
- VLB** Electrical/visual vacuum indicator
- VVB** Axial pressure gauge
- VVS** Radial pressure gauge

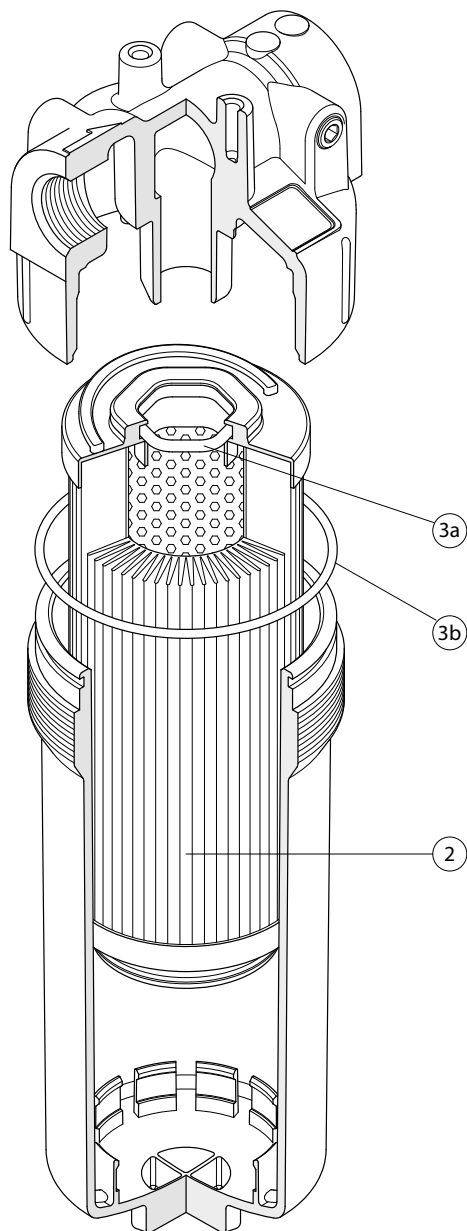
Filter size	H [mm]	
110	266	
160	315	

Connections	T	R
A	G 1/8"	M8
B	G 1/8"	M8
C	1/8" NPT	5/16" UNC
D	1/8" NPT	5/16" UNC
E	1/8" NPT	5/16" UNC
F	1/8" NPT	5/16" UNC



SFEX SPARE PARTS

Order number for spare parts



Item:	Q.ty: 1 pc.	Q.ty: 1 pc.
	2	3 (3a ÷ 3b)
Filter series	Filter element	Seal Kit code number NBR
SFEX 060-080	See order table	02050771
SFEX 110-160		02050772