

LMP 902-903 series

Filter element according to DIN 24550

Maximum working pressure up to 2 MPa (20 bar) - Flow rate up to 3000 l/min



LMP 902-903 GENERAL INFORMATION

Filter element according to DIN 24550

Description

Low & Medium Pressure filters

Maximum working pressure up to 2 MPa (20 bar)

Flow rate up to 3000 l/min

LMP902 and LMP903 are ranges of low pressure filter with large filtration surface mainly suitable for lubrication, off-line filtration of the reservoirs and filtration equipment.

Multiple LMP950 filters are connected to a manifold to reduce the pressure drop caused by the filter media and to increase the life time of the filter element.

They are directly connected to the lines of the system through the hydraulic fittings.

Available features:

- 4" flanged connections, for a maximum flow rate of 3000 l/min
- Filter element designed in accordance with DIN 24550 regulation
- Fine filtration rating, to get a good cleanliness level into the system
- Water removal elements, to remove the free water from the hydraulic fluid.
For further information, see the Contamination Management document and the dedicate leaflet.
- Bypass valve, to relieve excessive pressure drop across the filter media
- Vent ports, to avoid air trapped into the filter going into the system
- Drain ports, to remove the fluid from the housing prior the maintenance work
- Visual, electrical and electronic differential clogging indicators

Common applications:

- Off-line filtration of reservoirs
- Filtration systems

Technical data

Filter housing materials

- Head: Anodized aluminium
- Housing: Anodized aluminium
- Manifolds: Welded - Phosphatized steel
- Bypass valve: Steel
- Size 1000 filter elements complying with DIN 24550 standard

Pressure

- Test pressure: 3.5 MPa (35 bar)

Bypass valve

- Opening pressure 350 kPa (3.5 bar) $\pm 10\%$
- Other opening pressures on request.

Number of filter elements

LMP 902: 4 filter elements CU900

LMP 903: 6 filter elements CU900

Filter elements

Filter element according to DIN 24550

Size: 1000

Δp element type

- Microfibre filter elements - series N: 20 bar
- Fluid flow through the filter element from OUT to IN

Connections

LMP 902-903: In-line Inlet/Outlet

Seals

- Standard NBR series A
- Optional FPM series V

Temperature

From -25 °C to +110 °C

Note

LMP 902 - 903 filters are provided for vertical mounting

Weights [kg] and volumes [dm³]

Filter series	Weights [kg]		Volumes [dm ³]	
	Length	2	Length	2
LMP 902		89.6		58
LMP 903		129.2		87

GENERAL INFORMATION LMP 902-903

Filter element according to DIN 24550

FILTER ASSEMBLY SIZING
Flow rates [l/min]

Filter series	Length	Filter element design - N Series					
		A03	A06	A10	A16	A25	M25 M60 M90
LMP 902	2	2217	2576	3241	3282	3506	3987
LMP 903	2	2838	3170	3720	3755	3926	4278

Maximum flow rate for a complete low and medium pressure filter with a pressure drop $\Delta p = 0.7$ bar.

The reference fluid has a kinematic viscosity of 30 mm²/s (cSt) and a density of 0.86 kg/dm³.

For different pressure drop or fluid viscosity we recommend to use our selection software available on www.mpfiltri.com.

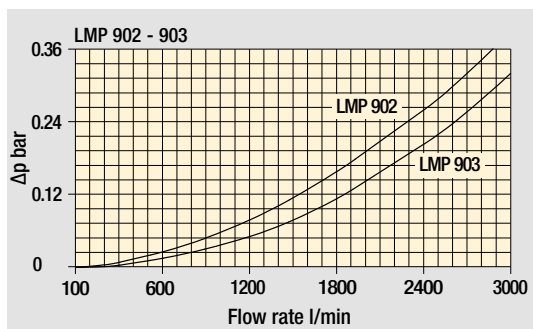
You can also calculate the right size using the formulas present on the FILTER SIZING paragraph at the beginning of the full catalogue or at the beginning of the filter family brochure. Please, contact our Sales Department for further additional information.

Hydraulic symbols

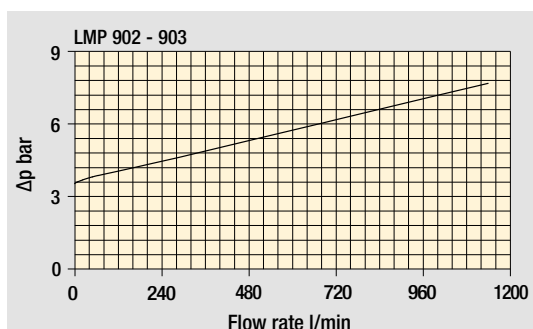
Filter series	Execution S	Execution B	Execution S	Execution B
LMP 902	•	•	-	-
LMP 903	-	-	•	•

Pressure drop

Filter housings Δp pressure drop



Bypass valve pressure drop

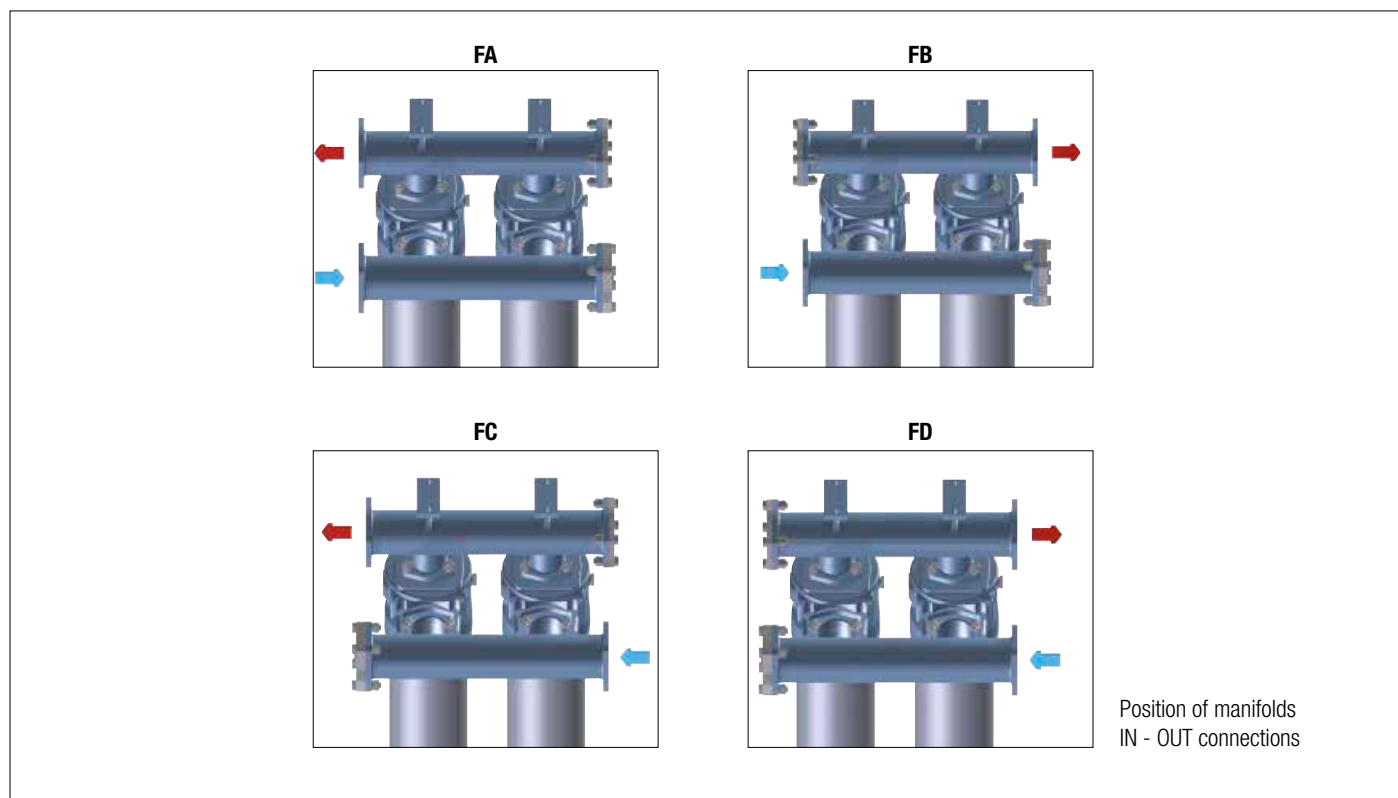


The curves are plotted using mineral oil with density of 0.86 kg/dm³ in compliance with ISO 3968. Δp varies proportionally with density.

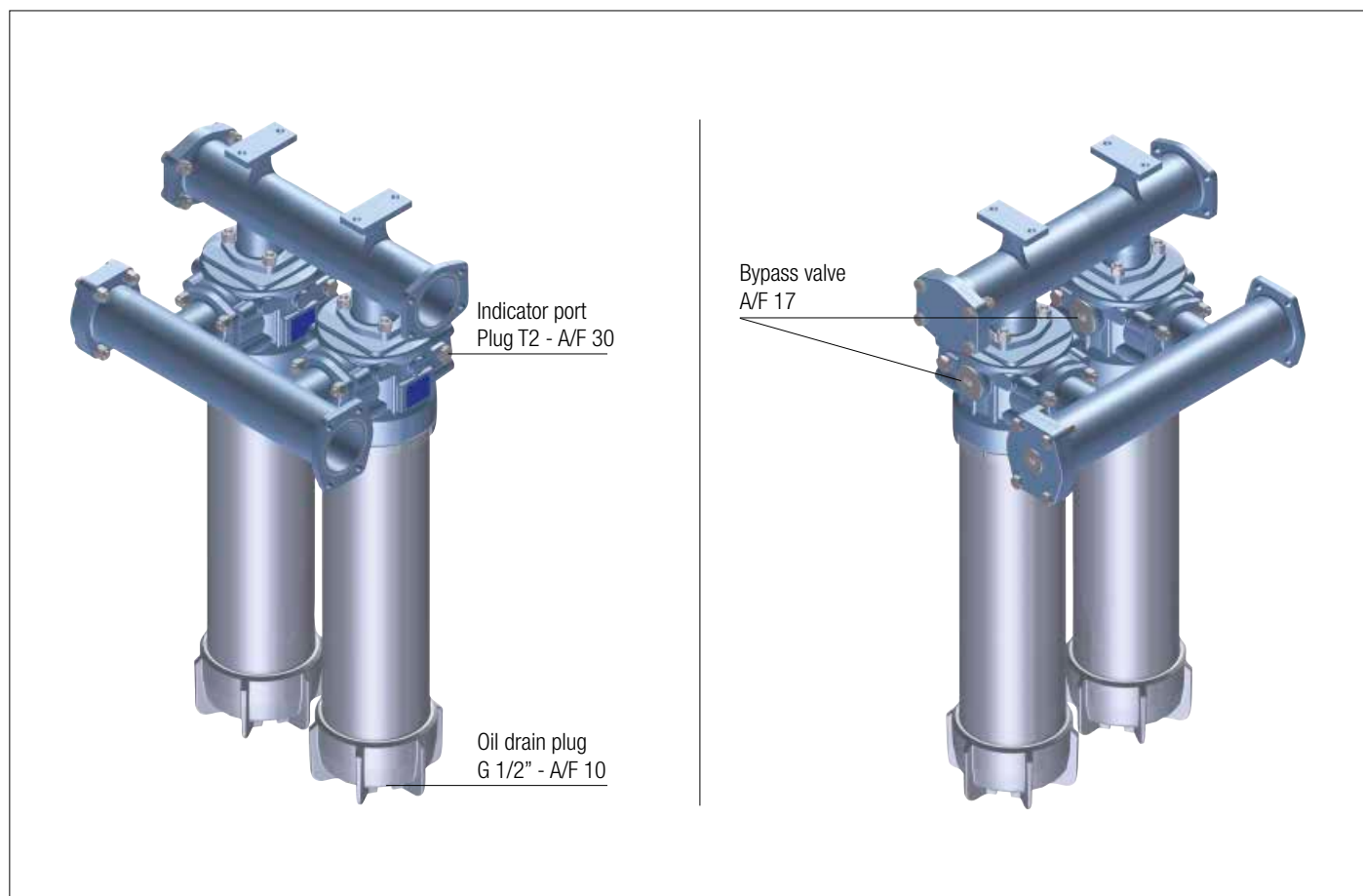
LMP 902-903 GENERAL INFORMATION

Filter element according to DIN 24550

Manifolds



Focus on



LMP 902-903 Filter element according to DIN 24550

Designation & Ordering code

COMPLETE FILTER

Series and size **LMP902 | LMP903** Configuration example: **LMP902** **2** **B** **A** **FA** **A10** **N** **P01**

Length **2**

Bypass valve **S** Without bypass **B** With bypass 3.5 bar

Seals and treatments **A** NBR **V** FPM

Connections	IN	OUT
FA 4" SAE 3000 psi	left	left
FB 4" SAE 3000 psi	left	right
FC 4" SAE 3000 psi	right	left
FD 4" SAE 3000 psi	right	right

Filtration rating (filter media)

A03 Inorganic microfiber 3 µm	M25 Wire mesh 25 µm
A06 Inorganic microfiber 6 µm	M60 Wire mesh 60 µm
A10 Inorganic microfiber 10 µm	M90 Wire mesh 90 µm
A16 Inorganic microfiber 16 µm	
A25 Inorganic microfiber 25 µm	

WA025 Water absorber inorganic microfiber 25 µm

Element Δp **N** 20 bar

Execution **P01** MP Filtri standard **Pxx** Customized

FILTER ELEMENT

Element series and size **CU900** Configuration example: **CU900** **A10** **A** **N** **P01**

Filter series and size **LMP902** Nr. 4 filter elements **LMP903** Nr. 6 filter elements

Filtration rating (filter media)

A03 Inorganic microfiber 3 µm	M25 Wire mesh 25 µm
A06 Inorganic microfiber 6 µm	M60 Wire mesh 60 µm
A10 Inorganic microfiber 10 µm	M90 Wire mesh 90 µm
A16 Inorganic microfiber 16 µm	
A25 Inorganic microfiber 25 µm	

WA025 Water absorber inorganic microfiber 25 µm

Seals **A** NBR **V** FPM

Element Δp **N** 20 bar

Execution **P01** MP Filtri standard **Pxx** Customized

CLOGGING INDICATORS

See page 716

DEA Electrical differential pressure indicator	DLE Electrical / visual differential pressure indicator
DEM Electrical differential pressure indicator	DTA Electronic differential pressure indicator
DEU Electrical differential pressure indicator	DVA Visual differential pressure indicator
DLA Electrical / visual differential pressure indicator	DVM Visual differential pressure indicator

PLUGS

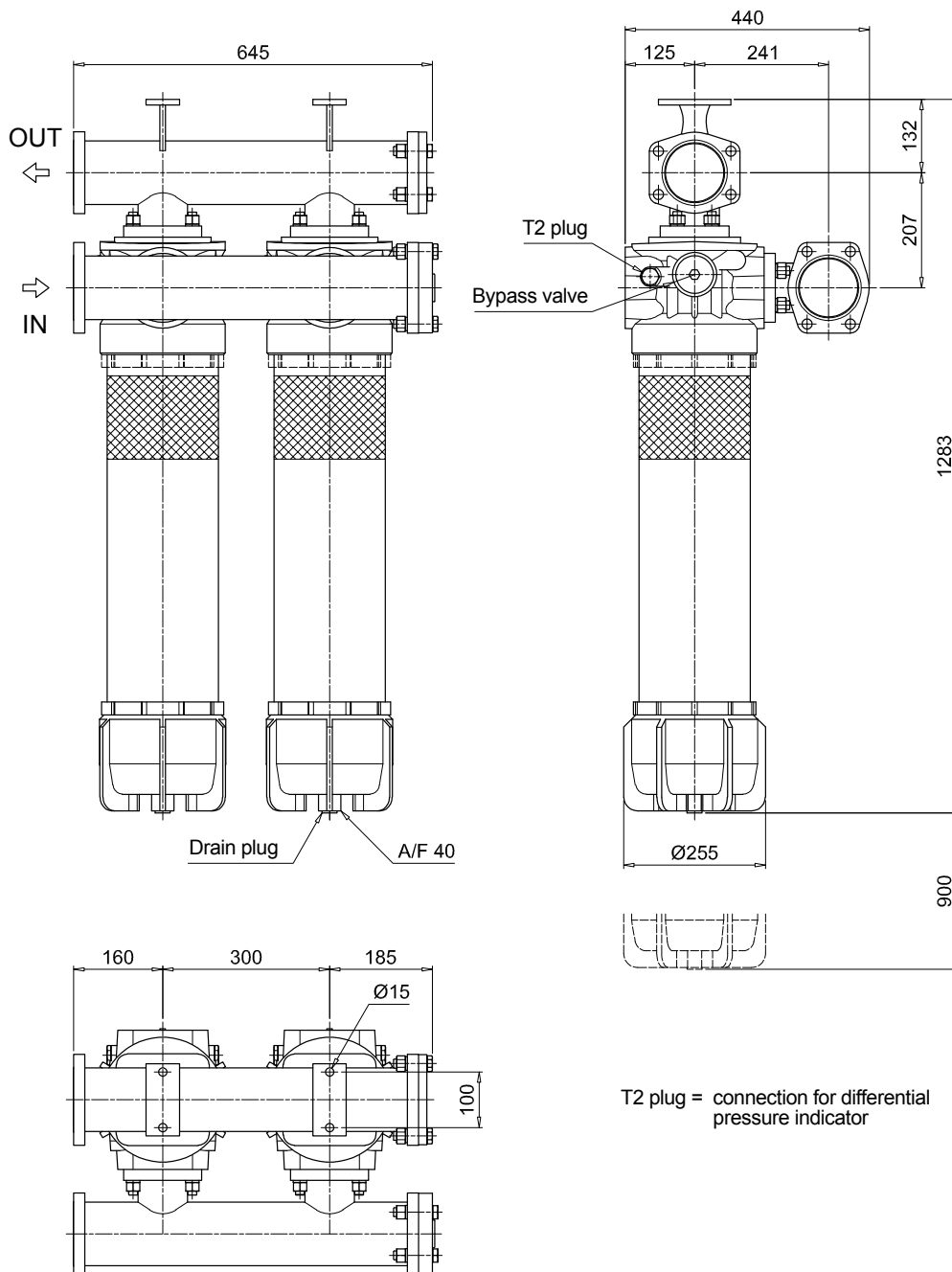
See page 737

T2 Plug

Filter element according to DIN 24550 LMP 902-903

Dimensions

LMP902

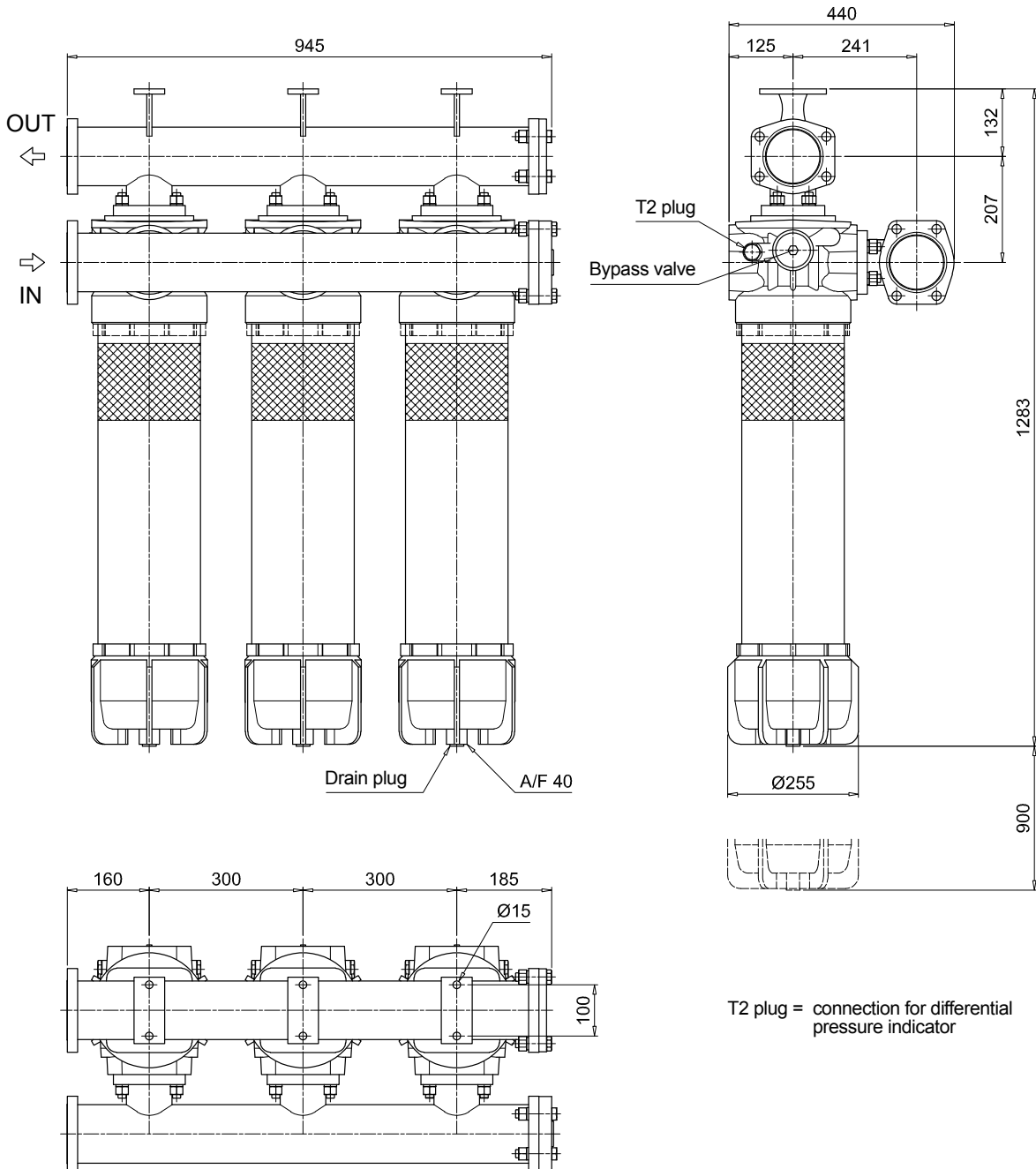


T2 plug = connection for differential pressure indicator

LMP 902-903 Filter element according to DIN 24550

Dimensions

LMP903

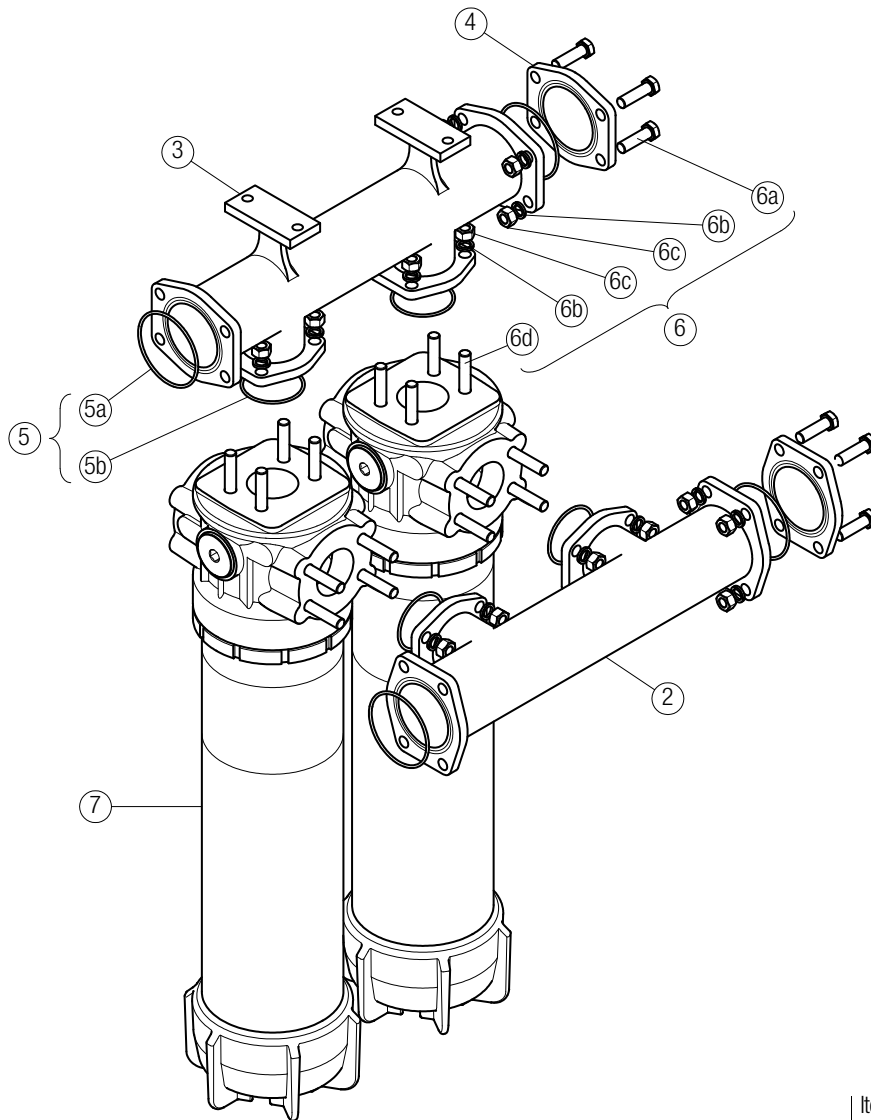


T2 plug = connection for differential pressure indicator

SPARE PARTS LMP 902-903

Order number for spare parts

LMP 902 - 903



Item 7:
for complete filter code and
spare parts, see
LMP 900 - 901 series chapter

Quantity:
- filter spare parts:
LMP 902 - 2 pcs.
LMP 903 - 3 pcs.

- filter seal kit:
LMP 902 - 2 pcs.
LMP 903 - 3 pcs.

Item:	2		3	4		5 (5a-5b)			6 (6a ÷ 6c)		7	
Filter series	Q.ty	Manifold IN	OUT	Q.ty	4" SAE 3000 psi plugged flange	Q.ty	Manifolds seal kit NBR	FPM	Q.ty	Threaded fasteners kit	Q.ty	Filter
LMP 902	1 pc.	01039270	01039271	2 pcs.	01042012	1 pc.	02050404	02050405	1 pc.	02049051	2 pcs.	LMP9012xxF1xxxNP02
LMP 903	1 pc.	01039337	01039338	2 pcs.		1 pc.	02050404	02050405	1 pc.	02049052	3 pcs.	