

# POWER TRANSMISSION PRODUCTS



PASSION TO PERFORM







## A WORLDWIDE LEADER IN THE FIELD OF HYDRAULIC FILTRATION EQUIPMENT.

Our company started life in 1964, when Bruno Pasotto decided to attempt to cater for the requests of a market still to be fully explored, with the study, design, development, production and marketing of a vast range of filters for hydraulic equipment, capable of satisfying the needs of manufacturers in all sectors. The quality of our products, our extreme competitiveness compared with major international producers and our constant activities of research, design and development has made us a worldwide leader in the field of hydraulic circuit filtering. Present for over 50 years in the market, we have played a truly decisive role in defining our sector, and by now we are a group capable of controlling our entire chain of production, monitoring all manufacturing processes to guarantee superior quality standards and to provide concrete solutions for the rapidly evolving needs of customers and the market.

# POWER TRANSMISSION PRODUCTS

---

## 1 page INTRODUCTION

4	COMPANY
8	PRODUCT RANGE
10	BELL-HOUSING & COUPLING SIZING
12	SELECTION SOFTWARE

## 14 page COUPLINGS

16	General Information	
21	SGEG - SGEA - SGES - SGEK - EGE	Flexible half-coupling in aluminium, cast iron and steel
39	AKG	IEC electric motor range from size 63 up to size 225
47	SGDR - EGR	Curved-tooth steel gear coupling

## 52 page BELL-HOUSING

54	General Information	
59	LMG	Bell-housing with rectangular flange
71	LMC - LDC	Bell-housing for piston, screw and vane pumps
79	LMS - LDS	Bell-housing - Low Noise
87	MULTI-COMPONENTS	Bell-housing - Multi-components 2 - 3

## 108 page ACCESSORIES

110	ANM A	Damping rings
112	PDM A	Foot brackets
113	MPDR PDMA - MPDR	Damping rods
114	OB	Cleaning covers
119	SE10	Aluminium tanks

## MARKET LEADER



Our work is based on a skillful interaction between advanced technology and fine workmanship, **customizing products according to specific market requests**, focusing strongly on innovation and quality, and following every step in the manufacturing of both standard and special products, fully respecting customer expectations.



Our customer-oriented philosophy, which enables us to satisfy all customer requests **rapidly and with personalized products**, makes us a **dynamic and flexible enterprise**. The possibility of constantly controlling and monitoring the entire production process is essential to allow us to guarantee the quality of our products.

## WORLDWIDE PRESENCE

Our foreign Branches enable us to offer a diversified range of products that allow us to successfully face the aggressive challenge of international competition, and also to maintain a stable presence at a local level.

The Group boasts **10** business branches





## TECHNOLOGY

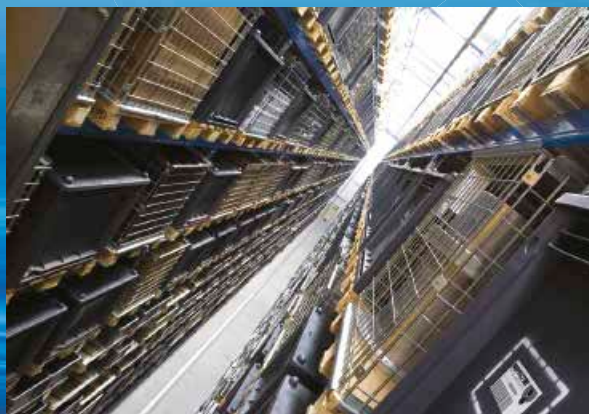
Our constant **quest for excellence in quality and technological innovation** allows us to offer only the best solutions and services for applications in many fields, including general industry, test rigs, lubrication, heavy engineering, renewable energies, naval engineering, offshore engineering, aviation systems, emerging technologies and mobile plant (i.e. tractors, excavators, concrete pumps, platforms).





## AND PRODUCTION

Our high level of technological expertise means **we can rely entirely on our own resources, without resorting to external providers.** This in turn enables us to satisfy a growing number of customer requests, also exploiting our constantly updated range of machines and equipment, featuring **fully-automated workstations** capable of **24-hour production.**





### SUCTION FILTERS

Flow rates  
up to 875 l/min

Mounting:  
- Tank immersed  
- In-Line  
- In tank with  
shut off valve  
- In tank  
with flooded suction

### RETURN FILTERS

Flow rates  
up to 3000 l/min

Pressure  
up to 20 bar

Mounting:  
- In-Line  
- Tank top  
- In single  
and duplex designs

### RETURN / SUCTION FILTERS

Flow rates  
up to 300 l/min

Pressure  
up to 80 bar

Mounting:  
- In-Line  
- Tank top

### SPIN-ON FILTERS

Flow rates  
up to 365 l/min

Pressure  
up to 35 bar

Mounting:  
- In-Line  
- Tank top

### LOW & MEDIUM PRESSURE FILTERS

Flow rates  
up to 3000 l/min

Pressure  
up to 80 bar

Mounting:  
- In-Line  
- Parallel manifold version  
- In single  
and duplex designs

### HIGH PRESSURE FILTERS

Flow rates  
up to 750 l/min

Pressure from 110 bar  
up to 560 bar

Mounting:  
- In-Line  
- Manifold  
- In single  
and duplex designs

# PRODUCT RANGE

MP Filtri can offer a vast and articulated range of products for the global market, suitable for all industrial sectors using hydraulic equipment.

This includes filters (suction, return, return/suction, spin-on, pressure, stainless steel pressure, ATEX filters) and structural components (motor/pump bell-housings, transmission couplings, damping rings, foot brackets, aluminium tanks, cleaning covers).

We can provide all the skills and solutions required by the modern hydraulics industry to monitor contamination levels and other fluid conditions.

Mobile filtration units and a full range of accessories allow us to supply everything necessary for a complete service in the hydraulic circuits.



## STAINLESS STEEL HIGH PRESSURE FILTERS

Flow rates up to 150 l/min

Pressure from 320 bar up to 1000 bar

- Mounting:
- In-Line
  - Manifold
  - In single and duplex designs

## FILTERS FOR POTENTIALLY EXPLOSIVE ATMOSPHERE

Flow rates up to 154 l/min

Pressure from 420 bar up to 1000 bar

- Mounting:
- In-Line

## CONTAMINATION CONTROL SOLUTIONS

- Off-line, in-line particle counters
- Off-line bottle sampling products
- Fully calibrated using relevant ISO standards
- A wide range of variants to support fluid types and communication protocols
- Mobile Filtration Units with flow rates from 15 l/min up to 200 l/min

## POWER TRANSMISSION PRODUCTS

- Aluminium bell-housings for motors from 0.12 kW to 400 kW
- Couplings in Aluminium Cast Iron - Steel
- Damping rings
- Foot bracket
- Aluminium tanks
- Cleaning covers

## TANK ACCESSORIES

- Oil filler and air breather plugs
- Optical and electrical level gauges
- Pressure gauge valve selectors
- Pipe fixing brackets
- Pressure gauges

# BELL-HOUSING & COUPLING SIZING

## A GUIDE TO SELECT THE CORRECT BELL-HOUSING AND DRIVE COUPLING

### DATA REQUIRED

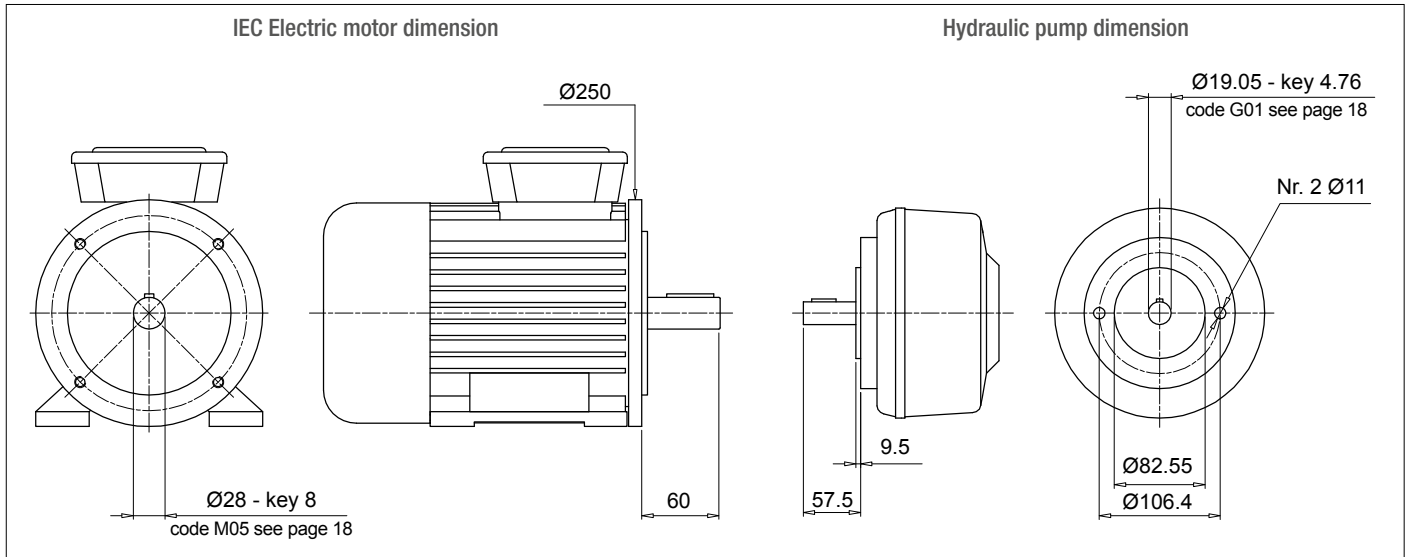
- Electric motor power/motor size
- Manufacturer and pump type

### TO VERIFY:

- 1 - Pump and motor shaft dimensions (see electric motor data sheet)
- 2 - Shaft and flange pump (see pump data sheet)

### Example:

- Electric motor 2.2 kW - size 100-112
- Atos pump code PFE31 - Shaft 1



### Bell-Housing's length calculation

- $H = 60 + 18 + 57.5 = 135.5$  mm (18 = Sp spider - see page 31)
- Choose type of bell-housing (LMC - LMS):  
For monobloc bell-housing LMC/LDC series see pages 71 ÷ 77  
For Low noise bell-housing LMS/LDS series see pages 79 ÷ 85  
For Multi-components 2-3 bell housing series see pages 87 ÷ 107

#### Note:

The length of bell-housing must be  $\geq$  than the length calculated (135.5 mm)

#### Case A

Solution with monobloc bell-housing series **LMC/LDC**

Pages 71 ÷ 77 for IEC Electric motor size 100-112 - LMC250

LMC 250 bell-housing with height  $\geq 135.5$  - LMC250AFSQ

The bell-housing code must be completed with pump drilling code (see pages 56-57).

For the specific case:

Spigot hole 82.55 - PCD 106.4 - Nr.2 holes M10 : Drilling code 060

Definitive bell-housing code **LMC250AFSQ060**

#### Case B

Solution with low noise bell-housing series **LMS/LDS**

Pages 79 ÷ 85 for IEC Electric motor size 100-112 - LMS250

LMS 250 bell-housing with height  $\geq 135.5$  - LMS250AFSA

The bell-housing code must be completed with pump drilling code (see pages 56-57).

For the specific case:

Spigot hole 82.55 - PCD 106.4 - Nr.2 holes M10 : Drilling code 060

Definitive bell-housing code **LMS250AFSA060**

### Coupling selection

#### Motor half-coupling (see page 26)

For IEC Electric motor size 100/112, the half-coupling is **SGEA21M05060FG**

#### Spider (see page 31)

For SGEA21, EGE2 - EGE2RR

(choose spider material on the base of the application, oil, temperature and cycle machine, etc.)

#### Pump half-coupling

Choose the drilling code - see pages 18-19 for shaft 19.05 - key 4.76 - code: **G01**

Pump half-coupling length = BH length - THK Spider - THK Spigot

$$\text{LMC} = 138 \text{ mm} - 60 - 18 - 9.5 = 50.5 \text{ mm}$$

$$\text{LMS} = 148 \text{ mm} - 60 - 18 - 9.5 = 60.5 \text{ mm}$$

LMC - Choose the half-coupling's length at page 26  $\leq$  50.5 mm.

LMS - Choose the half-coupling's length at page 26  $\leq$  60.5 mm.

LMC - Available length for SGEA21 = 50 mm

LMS - Available length for SGEA21 = 60 mm

Half coupling for LMC: **SGEA21G01050FG**

Half coupling for LMS: **SGEA21G01050FG**

### SOFTWARE FOR AUTOMATIC CALCULATION

available on the web site [www.mpfiltri.com](http://www.mpfiltri.com)

PRODUCT SELECTION | POWER TRANSMISSION SOFTWARE | FILTER SIZING SOFTWARE

SELECTION FROM PUMP MANUFACTURER | SELECTION FROM SHAFT / FLANGE DATA | SELECTION WITH PUMP DATA ENTRY | SELECTION FROM KIT CODE

Manufacturer:

Pump type:

Pump code:

ELECTRIC MOTOR DATA

N. Poles:  L:  D:  Fig.:  Ch:

Motor frame:

Size:

Power Kw:

Power Hp:

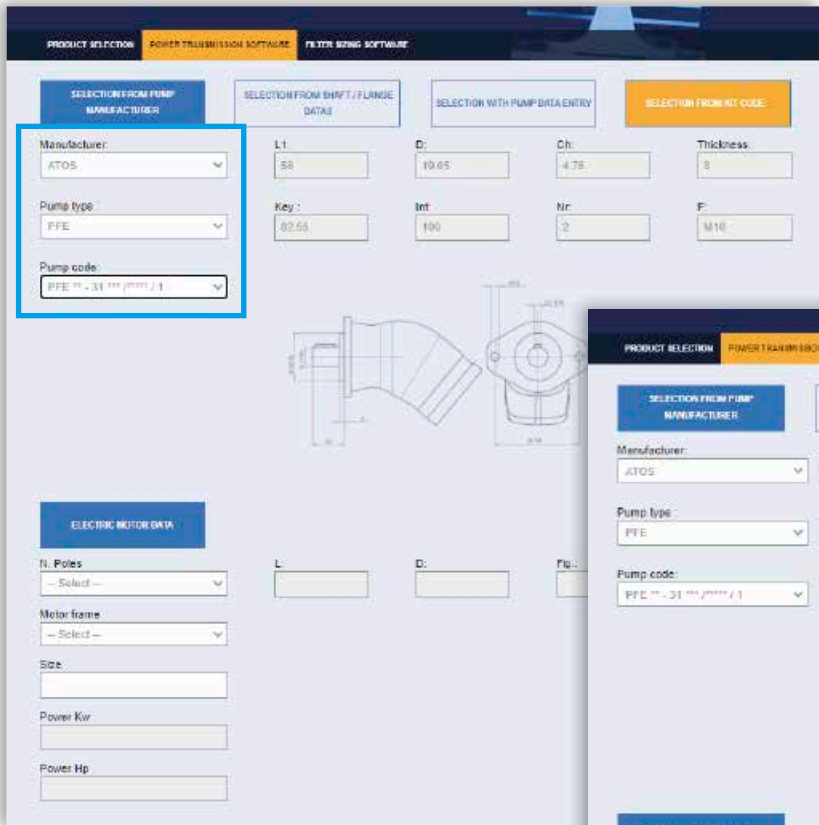
**Note:** for multi pumps we recommend to use a specific support on the base of the pump's dimensions and weight.



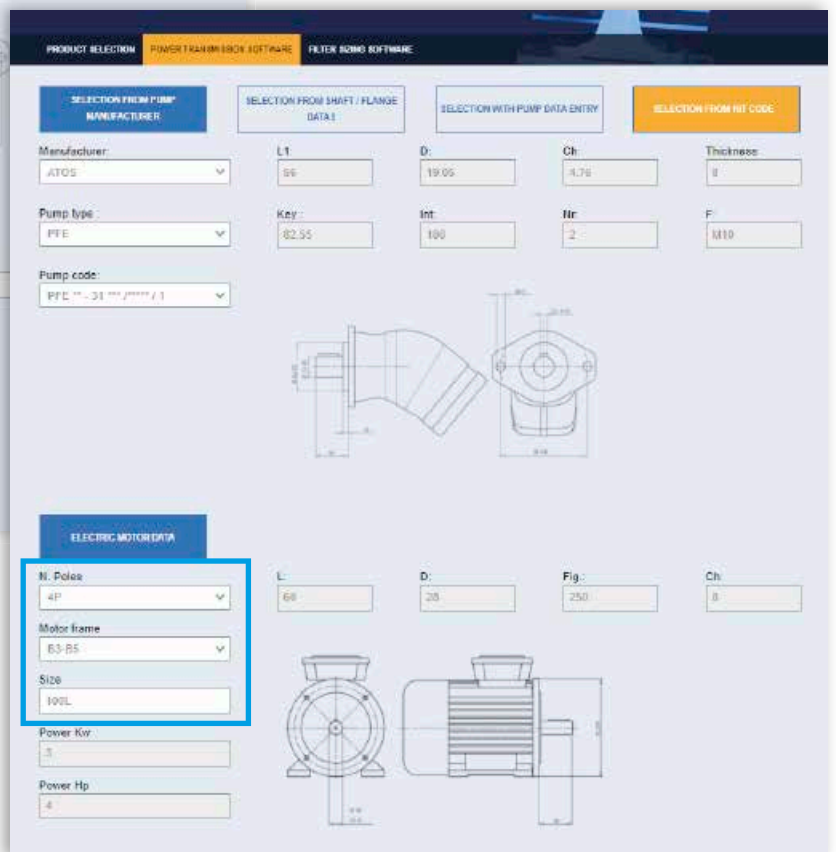
**Step 1** Select "POWER TRANSMISSION SOFTWARE" after login



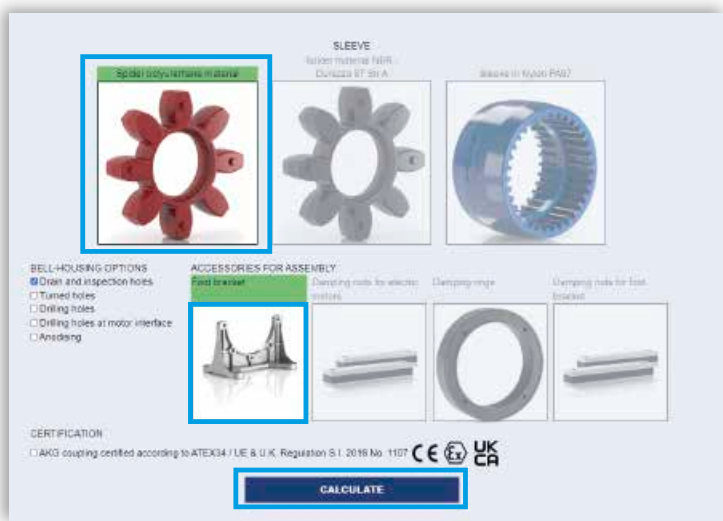
**Step 2** Choose Manufacturer: select "Pump type" and "Pump code"



**Step 3** Choose N Poles of "Electric motors": select "Motor frame" and "Size"



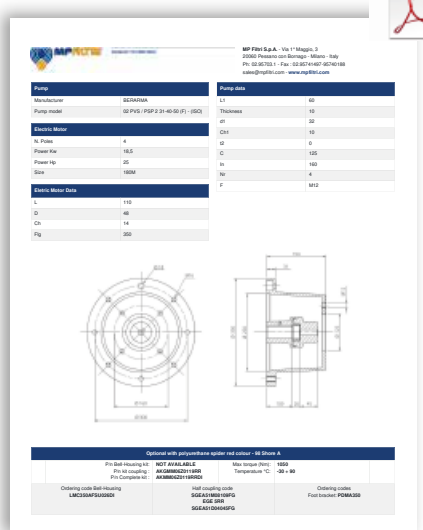
**Step 4** Choose the insert and eventual Bell-Housings option and accessories for assembly: click on "CALCULATE"



**Step 5** Select the option requested and download the report.



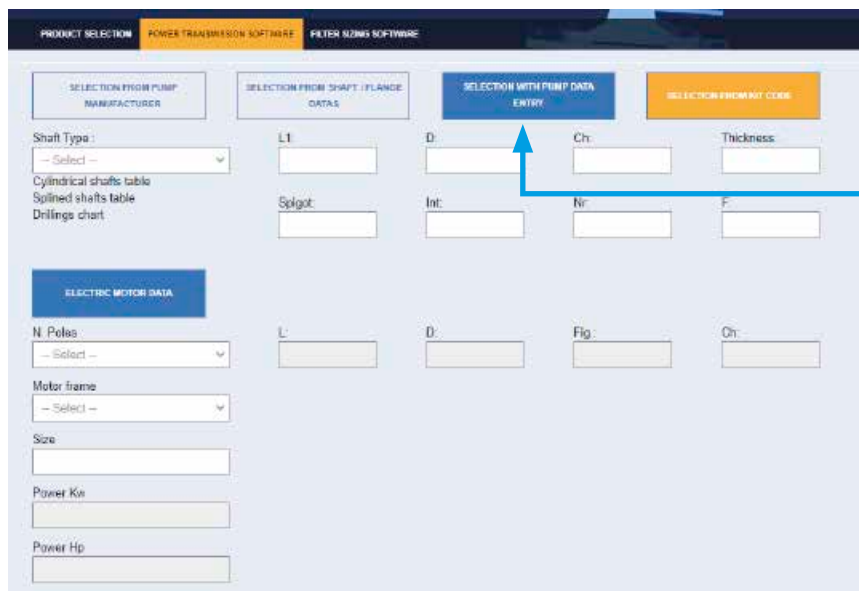
**Step 6** Download PDF



You can't find the pump on the system?

**NEW FEATURE!!**

Insert pump's dimension on the section "SELECTION WITH PUMP DATA ENTRY" and follow the instructions to achieve the couplings components code





**Drive couplings provide the means by which power is transmitted from the electric motor to the hydraulic pump.**

**By virtue of their flexible structure, they are able to compensate angular and radial misalignments between motor and pump, and appreciably attenuate the noise generated through the drive line.**

**The couplings illustrated are available in aluminium and cast iron versions, with a variety of spider options, and will cover a range of applications using electric motors from size 63, rated 0.15 kW, up to size 400 rated 400 kW.**

**Grub screw on all half-couplings.  
Cast iron half-coupling SGE<sup>G</sup> available with screw mounted.  
Steel half-couplings SGE<sup>S</sup> and SGE<sup>DR</sup> available with screw.**



**Standard ATEX Directive 2014/34/EU and UK Regulation S.I. 2016 No. 1107 (as amended)**

**Half-couplings are available to use in hazardous area.**

**The couplings are certified according to Standard ATEX Directive 2014/34/EU and UK Regulation S.I. 2016 No. 1107 (as amended) - Category certified 2G - Area 1 and 2.**

**Other information available on our web site "[www.mpfltri.com](http://www.mpfltri.com)".**

---

**The half-couplings SGE<sup>\*\*\*</sup> series are in conformity to normative DIN 740/2.**

**The max torque to transmit is always less than the max torque that the coupling can transmit.**

---



GENERAL INFORMATION	page 16
SGEG - SGEA - SGES - SGEK - EGE	21
AKG	39
SGDR - EGR	47

The half-couplings series SGE\*\*\* allow secure transmission between the electric motor and the driven side; they are able to absorb shocks and vibration, in addition to compensating radial misalignment, angular and axial.

The assembly of the couplings can be horizontal/vertical, withstanding vibration and load reversals.

The complete range of couplings are extrapolated from the on-line software, with a length equal than the shaft on which must be mounted and they are completed with grub screw for fixing located on the key.

Available for cylindrical shaft with metric and imperial dimensions as well for splined shafts as per specification DIN, ISO and SAE.

## Admissible misalignment radial, angular and axial

### Max admissible radial misalignment

Half-coupling	R [mm]
SGE * 01	0.5
SGE * 21	1.0
SGE * 31	1.0
SGE * 40	1.0
SGE * 51	1.5
SGE * 60	1.5
SGE * 80	2.0
SGE * 90	2.0

### Max admissible angular misalignment

Half-coupling	$\beta$ [°]
SGE * 01	1.5°
SGE * 21	
SGE * 31	
SGE * 40	
SGE * 51	
SGE * 60	
SGE * 80	
SGE * 90	

### Max admissible angular alignment

Half-coupling	A [mm]
SGE * 01	2.0
SGE * 21	2.5
SGE * 31	3.0
SGE * 40	3.5
SGE * 51	3.5
SGE * 60	3.5
SGE * 80	4.0
SGE * 90	5.0

Standard ATEX Directive 2014/34/EU and UK Regulation S.I. 2016 No. 1107 (as amended)

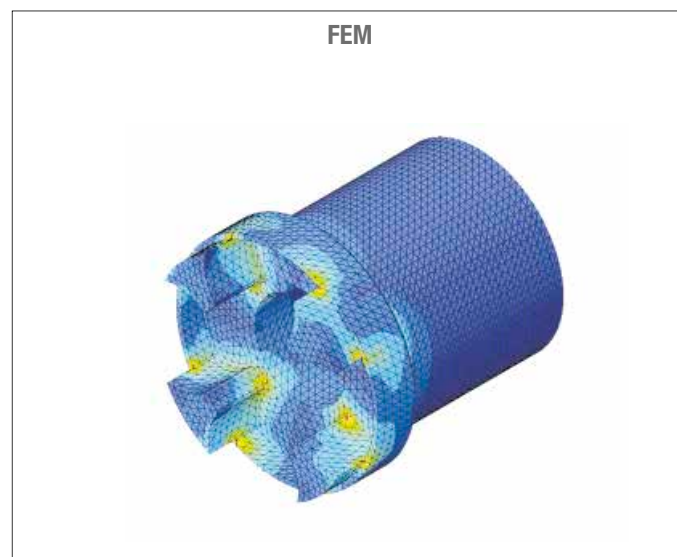


Half-couplings are available to use in hazardous area.

The couplings are certified according to Standard ATEX Directive 2014/34/EU and UK Regulation S.I. 2016 No. 1107 (as amended) - Category certified 2G - Area 1 and 2.

Other information available on our web site "www.mpfiltri.com".

MP Filtri couplings are developed with:



Drawings 3D available on website [www.mpfiltri.com](http://www.mpfiltri.com) at section TOOLS.

Examples verification of the coupling

Torque transmitted by electric motor:

**Mt:**  $9560 \times \text{kW} / \text{rpm} = \text{Nm}$

**Me >**  $Mt \times S = \text{Nm}$

Where:

**Mt:** Torque transmitted by electric motor

**Me:** Torque transmitted by coupling

**kW:** Power of electric motor

**Rpm:** Revolutions per minute of electric motor

**S:** Service factor

Table 1

<b>Small pumps, uniform load, low operating pressures</b> e.g. rotary action machine tools - 5/8 work cycles per hour	<b>1.3</b>
<b>Small pumps, uniform load, high working pressures</b> e.g. lifting equipment - 120-150 work cycles per hour	<b>1.5</b>
<b>Pumps, non-uniform load</b> e.g. lifting equipment - 280-300 work cycles per hour	<b>1.7</b>

**Example**

Electric motor, 4 pole - 4 kW  
hydraulic pump, uniform load, low operating pressure

**Mt:**  $9560 \times 4 / 1500 = 25.45 \text{ Nm}$

**Me >**  $25.49 \times 1.3 = 33 \text{ Nm}$

**Half-coupling SGEA21 meets the above requirement.**

Select the half-coupling of the calculated size from the motor half-couplings table.

**Note:** When selecting the coupling, remember that for pumps with splined shaft, only cast iron couplings of the SGEG series can be used.

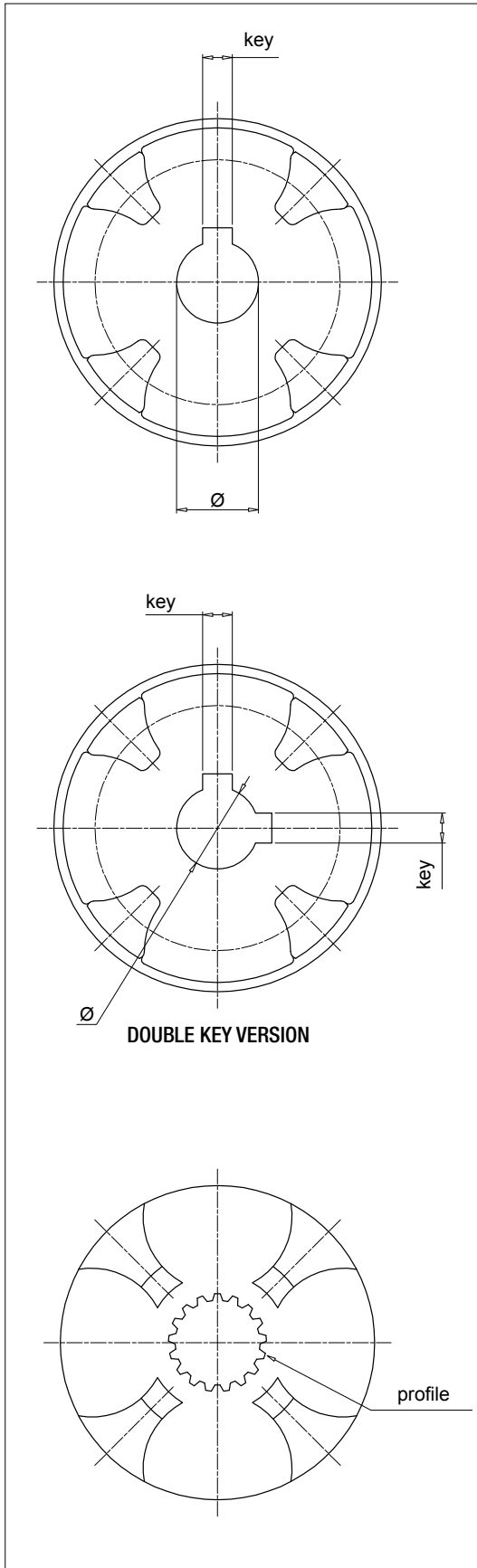
Determine the size of the coupling according to the type of installation and application envisaged, on the basis of the formulas and the following tables:

Table 2

Half-coupling type	External diameter [mm]	Nominal torque Me - Nm	Maximum transmissible torque Me - Nm		
<b>ROTAFIT</b>					
<b>SGEA01</b>	<b>SGEK01</b>	43	15	20	
<b>SGEA21</b>	<b>SGEK21</b>	68	160	190	
<b>SGEA31</b>	<b>SGEK31</b>	75	340	380	
<b>SGEA51</b>	<b>SGEK51</b>	109.5	550	620	<b>ALUMINIUM</b>
<b>SGEG01</b>		40	20	30	
<b>SGEG30</b>		80	400	450	
<b>SGEG40</b>	<b>SGEK40</b>	95	550	620	
<b>SGEG60</b>	<b>SGEK60</b>	120	760	850	
<b>SGEG80</b>	<b>SGEK80</b>	160	2200	2500	
<b>SGEG90</b>		200	5500	6100	<b>CAST IRON</b>
<b>SGES40</b>		95	550	620	
<b>SGES60</b>		120	760	850	
<b>SGES80</b>		180	2200	2500	<b>STEEL</b>

Nominal and maximum torque values are referred to couplings assembled with standard flexible spiders of the **EGE\*\*** series (see page 31).

Where higher torques are to be transmitted, use flexible spiders of the **EGE\*\*RR** series (see page 31).



Parallel shaft - Metric Dimensions

Ø [mm]	key [mm]	Code
12	4	<b>C00</b>
15	5	<b>C01</b>
16	4	<b>C02</b>
16	5	<b>C03</b>
17	5	<b>C04</b>
18	6	<b>C05</b>
20	5	<b>C06</b>
19	5	<b>C07</b>
30	10	<b>C08</b>
20	6	<b>C09</b>
16	5	<b>C10</b>
15	4	<b>C11</b>
22	6	<b>D00</b>
24	6	<b>D01</b>
25	8	<b>D02</b>
30	8	<b>D03</b>
32	10	<b>D04</b>
35	10	<b>D05</b>
40	12	<b>D06</b>
45	14	<b>D07</b>
50	14	<b>D08</b>
70	20	<b>D09</b>
22	8	<b>D10</b>
52	16	<b>D20</b>
8	3	<b>E00</b>
10	3	<b>E01</b>
22	5	<b>E02</b>
32	8	<b>E03</b>
35	8	<b>E04</b>
82	22	<b>E05</b>
25	7	<b>E06</b>
63	18	<b>E07</b>
9	3	<b>M00</b>
11	4	<b>M01</b>
14	5	<b>M02</b>
19	6	<b>M03</b>
24	8	<b>M04</b>
28	8	<b>M05</b>
38	10	<b>M06</b>
42	12	<b>M07</b>
48	14	<b>M08</b>
55	16	<b>M09</b>
60	18	<b>M10</b>
65	18	<b>M11</b>
75	20	<b>M12</b>
80	22	<b>M13</b>
90	25	<b>M14</b>
95	25	<b>M15</b>
100	28	<b>M16</b>
110	28	<b>M17</b>
85	22	<b>M18</b>

Parallel shaft - Imperial Dimensions

Ø		key		Code
[inch]	[mm]	[inch]	[mm]	
7/16"	11.11	1/8"	3.18	<b>G00</b>
3/4"	19.05	3/16"	4.76	<b>G01</b>
7/8"	22.22	3/16"	4.76	<b>G02</b>
7/8"	22.22	1/4"	6.35	<b>G03</b>
1"	25.4	3/16"	4.76	<b>G04</b>
1"	25.40	1/4"	6.35	<b>G05</b>
1 1/4"	31.75	1/4"	6.35	<b>G06</b>
1 1/4"	31.75	5/16"	7.94	<b>G07</b>
1 3/8"	34.94	5/16"	7.94	<b>G08</b>
1 1/2"	38.1	3/8"	9.52	<b>G09</b>
1 5/8"	41.27	3/8"	9.52	<b>H00</b>
1 3/4"	44.45	7/16"	11.11	<b>H01</b>
2"	50.8	1/2"	12.7	<b>H02</b>
2 11/32"	53.94	1/2"	12.7	<b>H03</b>
3/4"	19.02	1/8"	3.17	<b>H04</b>
1"	25.4	3/16"	4.76	<b>H05</b>
5/8"	15.87	3/16"	4.76	<b>H06</b>
17/32"	13.45	1/8"	3.18	<b>H07</b>
11/16"	17.46	3/16"	4.76	<b>H08</b>
1/2"	12.7	1/8"	3.18	<b>H09</b>
5/8"	15.87	5/32"	3.97	<b>L00</b>
7/8"	22.22	5/32"	4	<b>L01</b>
11/8"	28.58	1/4"	6.35	<b>L02</b>
3/4"	19.05	1/4"	6.35	<b>L03</b>
1 7/8"	47.63	1/2"	12.7	<b>L04</b>
3 3/8"	85.73	7/8"	22.23	<b>L05</b>
2 3/8"	60.33	5/8"	15.88	<b>L06</b>
2 3/8"	60.33	1/2"	12.7	<b>L07</b>
2 7/8"	73.03	3/4"	19.05	<b>L08</b>
3 5/8"	92.07	7/8"	22.22	<b>L09</b>
1 5/8"	41.6	15/32"	12	<b>L10</b>
1 1/8"	28.58	5/16"	7.94	<b>L15</b>

Parallel shaft - Double Key

Ø [mm]	key [mm]	Code
16.00	4.00	<b>C02***2H</b>
	5.00	
20.00	5.00	<b>C06***2M</b>
	6.00	
19.00	5.00	<b>C07***2L</b>
	6.00	
24.00	6.00	<b>D01***2N</b>
	8.00	
30.00	8.00	<b>D03***2P</b>
	10.00	
22.22	4.76	<b>G02***2E</b>
	6.35	
25.40	6.35	<b>G04***2F</b>
	4.76	
31.75	6.35	<b>G06***2G</b>
	7.94	

\*\*\* = coupling length

SAE Bore - ANS.B.92.1-1970

Profile	Nr. of Th	Code
17 th 8/16	17	<b>PD01</b>
14 th 12/24	14	<b>PD02</b>
16 th 12/24	16	<b>PD03</b>
17 th 12/24	17	<b>PD04</b>
9 th 16/32	9	<b>PD05</b>
11 th 16/32	11	<b>PD06</b>
12 th 16/32	12	<b>PD07</b>
13 th 16/32	13	<b>PD08</b>
15 th 16/32	15	<b>PD09</b>
21 th 16/32	21	<b>PD10</b>
23 th 16/32	23	<b>PD11</b>
27 th 16/32	27	<b>PD12</b>
40 th 16/32	40	<b>PD13</b>
20 th 24/48	20	<b>PD14</b>
21 th 24/48	21	<b>PD15</b>
23 th 24/48	23	<b>PD16</b>
25 th 24/48	25	<b>PD17</b>
26 th 24/48	26	<b>PD18</b>
27 th 12/48	27	<b>PD19</b>
28 th 24/48	28	<b>PD20</b>
29 th 24/48	29	<b>PD21</b>
32 th 24/48	32	<b>PD22</b>
21 th 32/64	21	<b>PD23</b>
30 th 32/64	30	<b>PD24</b>
33 th 32/64	33	<b>PD25</b>
23 th 40/80	23	<b>PD26</b>
36 th 48/96	36	<b>PD27</b>
41 th 48/96	41	<b>PD28</b>
47 th 48/96	47	<b>PD29</b>
13 th 8/16	13	<b>PD30</b>
15 th 8/16	15	<b>PD31</b>
14 th 16/32	14	<b>PD32</b>
40 th 16/32	40	<b>PD33</b>
33 th 16/32	33	<b>PD34</b>
9 th 20/40	9	<b>PD35</b>
10 th 16/32	10	<b>PD36</b>
25 th 20/40	25	<b>PD37</b>

Splined bore as per standard DIN5480

Profile	Nr. of Th	Code
W18 x 1.25 x 13	13	<b>PA01</b>
W20 x 1.25 x 14	14	<b>PA02</b>
W25 x 1.25 x 18	18	<b>PA03</b>
W28 x 1.25 x 21	21	<b>PA04</b>
W32 x 1.25 x 24	24	<b>PA05</b>
W38 x 1.25 x 29	29	<b>PA06</b>
W30 x 2 x 14	14	<b>PA07</b>
W32 x 2 x 14	14	<b>PA08</b>
W35 x 2 x 16	16	<b>PA09</b>
W37 x 2 x 17	17	<b>PA10</b>
W38 x 2 x 18	18	<b>PA11</b>
W40 x 2 x 18	18	<b>PA12</b>
W42 x 2 x 20	20	<b>PA13</b>
W45 x 2 x 21	21	<b>PA14</b>
W50 x 2 x 24	24	<b>PA15</b>
W55 x 2 x 26	26	<b>PA16</b>
W60 x 2 x 28	28	<b>PA17</b>
W70 x 2 x 34	34	<b>PA18</b>
W80 x 2 x 38	38	<b>PA19</b>
W60 x 3 x 18	18	<b>PA20</b>
W70 x 3 x 22	22	<b>PA21</b>
W75 x 3 x 24	24	<b>PA22</b>
W90 x 3 x 28	28	<b>PA23</b>
W105 x 3 x 34	34	<b>PA24</b>
W80 x 3 x 25	25	<b>PA25</b>
W50 x 1.25 x 38	38	<b>PA26</b>
W62 x 1.25 x 48	48	<b>PA27</b>
W40 x 1.5 x 25	25	<b>PA28</b>
W32 x 1.5 x 20	20	<b>PA29</b>
W40 x 1.25 x 30	30	<b>PA30</b>

Splined bore as per standard DIN5481

Profile	Nr. of Th	Code
8 x 10	28	<b>PC01</b>
10 x 12	30	<b>PC02</b>
12 x 14	31	<b>PC03</b>
15 x 17	32	<b>PC04</b>
17 x 20	33	<b>PC05</b>
21 x 24	34	<b>PC06</b>
26 x 30	35	<b>PC07</b>
30 x 34	36	<b>PC08</b>
60 x 65	41	<b>PC09</b>

Splined bore as per standard DIN5482

Profile	Nr. of Th	Code
A15 x 12	8	<b>PB01</b>
A17 x 14	9	<b>PB02</b>
A18 x 15	10	<b>PB03</b>
A20 x 17	12	<b>PB04</b>
A22 x 19	13	<b>PB05</b>
A25 x 22	14	<b>PB06</b>
A28 x 25	15	<b>PB07</b>
A30 x 27	16	<b>PB08</b>
A32 x 28	17	<b>PB09</b>
A35 x 31	18	<b>PB10</b>
A38 x 34	19	<b>PB11</b>
A40 x 36	20	<b>PB12</b>
A42 x 38	21	<b>PB13</b>
A45 x 41	22	<b>PB14</b>
A48 x 44	23	<b>PB15</b>
A50 x 45	24	<b>PB16</b>
A52 x 47	25	<b>PB17</b>
A55 x 50	26	<b>PB18</b>
A58 x 53	27	<b>PB19</b>
A60 x 55	28	<b>PB20</b>
A62 x 57	29	<b>PB21</b>
A65 x 60	30	<b>PB22</b>
A68 x 62	31	<b>PB23</b>
A70 x 64	32	<b>PB24</b>
A72 x 66	33	<b>PB25</b>
A75 x 69	34	<b>PB26</b>
A78 x 72	35	<b>PB27</b>
A80 x 74	36	<b>PB28</b>
A82 x 76	37	<b>PB29</b>
A85 x 79	38	<b>PB30</b>
A88 x 82	39	<b>PB31</b>
A90 x 84	40	<b>PB32</b>
A92 x 86	41	<b>PB33</b>
A95 x 89	42	<b>PB34</b>
A98 x 92	43	<b>PB35</b>
A100 x 94	44	<b>PB36</b>





# SGEG - SGEA - SGES - SGEK - EGE series

Flexible half-coupling in aluminium, cast iron and steel



## Technical data

### Giunti - Flexible half-coupling in aluminium, cast iron and steel

#### Half-couplings materials

SGEA: Pressure die cast aluminium  
 SGEG: Cast Iron en-GJL-250 (gg25)  
 SGES: Steel C40  
 SGEK: Pressure die cast aluminium  
 SGEK: Cast Iron en-GJL-250 (gg25)



#### Spider materials

EGE\*\* series: Oil-resistant NBR 85 Shore A - black colour  
 EGE\*\*RR series: in polyurethane Laripur - 92 Shore A - LPR202-95A - red colour

#### Compatibility with fluids

- Mineral oils types HH-HL-HM-HR-HV, to ISO 6743/4 standard
- Water based emulsions types HFAE-HFAS, to ISO 6743/4 standard
- Water glycol type HFC, to ISO 6743/4 standard: ask for anodized version

#### Special Applications

Any applications not covered by the normal indications contained in this catalogue must be evaluated and approved by MP Filtri Technical and Sales Department

#### Temperature

Spider oil-resistant rubber: from -20 °C to +90 °C  
 Spider polyurethane resin: from -30 °C to +120 °C

#### Note

For temperatures outside this range, contact MP Filtri Technical and Sales Department



## Range

IEC Electric Motors size	Aluminium		G25 UNI 5007 Cast Iron - C40 Carbon Steel			
	Shaft ISO 3019-2	Shaft ISO 3019-2	Shaft ANSI B92. 1A 1976	Shaft DIN 5480	Shaft DIN 5481	Shaft DIN 5482
IEC 80 Ø200 - Ø19x40	●	●	●	●	●	●
IEC 90 Ø200 - Ø24x50	●	●	●	●	●	●
IEC 100 Ø250 - Ø28x60	●	●	●	●	●	●
IEC 112 Ø250 - Ø28x60	●	●	●	●	●	●
IEC 132 Ø300 - Ø38x80	●	●	●	●	●	●
IEC 160 Ø350 - Ø42x110	●	●	●	●	●	●
IEC 180 Ø350 - Ø48x110	●	●	●	●	●	●
IEC 200 Ø400 - Ø55x110	●	●	●	●	●	●
IEC 225 Ø450 - Ø60x140		●	●	●	●	●
IEC 250 Ø550 - Ø65x140		●	●	●	●	●
IEC 280 Ø550 - Ø75x140		●	●	●	●	●
IEC 315 Ø660 - Ø80x170		●	●	●	●	●
IEC 355 Ø800 - Ø90x170		●	●	●	●	●

IEC Electric Motors size	European standard size						German standard size		
	0.5	1	2	3	3.5	4	ZB	ZF	ZG
IEC 63 Ø140 - Ø11x23	●	●	●				●		
IEC 71 Ø160 - Ø14x30	●	●	●				●		
IEC 80 Ø200 - Ø19x40	●	●	●	●			●	●	
IEC 90 Ø200 - Ø24x50	●	●	●	●			●	●	
IEC 110 Ø250 - Ø28x60		●	●	●	●		●	●	
IEC 112 Ø250 - Ø28x60		●	●	●	●		●	●	
IEC 132 Ø300 - Ø38x80		●	●	●	●	●		●	●
IEC 160 Ø350 - Ø42x110			●	●	●	●		●	●
IEC 180 Ø350 - Ø48x110			●	●	●	●		●	●
IEC 200 Ø400 - Ø55x110			●	●	●	●		●	●
IEC 225 Ø450 - Ø60x140				●	●	●			●

## Couplings for standard IEC motors, protection class IP 54 / IP 55

A. C. motor 50 Hz			Motor output n=3000 RPM 2 poles		Coupling size	Motor output n=1500 RPM 4 poles		Coupling size	Motor output n=1000 RPM 6 poles		Coupling size	Motor output n=750 RPM 8 poles		Coupling size
Size	Shaft end Ø x L [mm]		Output P [kW]	Torque T [Nm]		Output P [kW]	Torque T [Nm]		Output P [kW]	Torque T [Nm]		Output P [kW]	Torque T [Nm]	
	2-pole	4, 6, 8 pole												
<b>56</b>	9 x 20		0.09	0.32		0.06	0.43		0.037	0.43				
			0.12	0.41		0.09	0.64		0.045	0.52				
<b>63</b>	11 x 23		0.18	0.62	01	0.12	0.88	01	0.06	0.7	01			01
			0.25	0.86		0.18	1.3		0.09	1.1				
<b>71</b>	14 x 30		0.37	1.3		0.25	1.8		0.18	2		0.09	1.4	
			0.55	1.9		0.37	2.5		0.25	2.8		0.12	1.8	
<b>80</b>	19 x 40		0.75	2.5		0.55	3.7		0.37	3.9		0.18	2.5	
			1.1	3.7		0.75	5.1		0.55	5.8		0.25	3.5	
<b>90S</b>	24 x 50		1.5	5	21	1.1	7.5	21	0.75	8	21	0.37	5.3	21
<b>90L</b>			2.2	7.4		1.5	10		1.1	12		0.55	7.9	
<b>100L</b>	28 x 60		3	9.8		2.2	15		1.5	15		0.75	11	
			3	20		1.5	15		1.1	16				
<b>112M</b>			4	13		4	27		2.2	22		1.5	21	
<b>132S</b>	38 x 80		5.5	18		5.5	36		3	30		2.2	30	
			7.5	25		7.5	49		4	40		3	40	
<b>132M</b>									5.5	55				
<b>160M</b>	42 x 110		11	36		11	72		7.5	75		4	54	
			15	49		15	98		11	109		5.5	74	
<b>160L</b>			18.5	60	40/51	15	98	40/51	11	109	40/51	7.5	100	40/51
<b>180M</b>	48 x 110		22	71		18.5	121							
<b>180L</b>			22	144		15	148		11	145				
<b>200L</b>	55 x 110		30	97		30	196		18.5	181		15	198	
			37	120		22	215							
<b>200S</b>	55 x 110	60 x 140			60	37	240	60			60	18.5	244	60
<b>225M</b>			45	145		45	292		30	293		22	290	
<b>250M</b>	60 x 140	65 x 140	55	177		55	356		37	361		30	392	
<b>280S</b>		75 x 140	75	241		75	484		45	438		37	483	
<b>280M</b>			90	289		90	581		55	535		45	587	
<b>315S</b>			110	353		110	707		75	727		55	712	
<b>315M</b>	65 x 140	80 x 170	132	423	80	132	849	80	90	873	80	75	971	80
			160	513		160	1030		110	1070		90	1170	
<b>315L</b>			200	641		200	1290		132	1280		110	1420	
			160	1550		132	1710							
<b>315</b>	85 x 170		250	802		250	1600		200	1930		160	2070	
			315	1010		315	2020		250	2410		200	2580	
<b>355</b>	75 x 140		355	1140		355	2280							
			400	1280		400	2570		315	3040		250	3220	
<b>400</b>	80 x 170	110 x 210	500	1600	90	500	3210	90	400	3850	90	315	4060	90
			560	1790		560	3580		450	4330		355	4570	
<b>400</b>	80 x 170		630	2020		630	4030		500	4810		400	5150	
			710	2270		710	4540		560	5390		450	5790	
			800	2560		800	5120		630	6060		500	6420	

# SGEG-SGEA-SGES-SGEK

## Designation & Ordering code

### PUMP HALF-COUPLING FOR PARALLEL SHAFT

**Pump half-coupling** Configuration example: **SGE** **A** **21** **G02** **050** **2E** **FG**

**SGE**

**Series and material**

**A** Aluminium

**G** Cast Iron

**S** Steel

**K** Aluminium / Cast Iron - Reduced length **ROTAFIT**

Size	SGEG	SGEA	SGES	SGEK
	01	01	01	01
	30	21	30	21
	40	31	40	31
	60	51	60	51
	80		80	40
	90		90	60
				80

**Pump shaft code**

**G02** See page 18

**Length**

**050** See pages 26 ÷ 30

**Double key way (available combinations only)**

**2E** See page 18 (parallel shaft - double key)

**Groub screw (necessary for SGEA series only)**

**FG**

### PUMP HALF-COUPLING FOR SPLINED SHAFT

**Pump half-coupling** Configuration example: **SGE** **G** **40** **PD02** **050**

**SGE**

**Series and material**

**G** Cast Iron

**S** Steel

**K** Cast Iron - Reduced length **ROTAFIT**

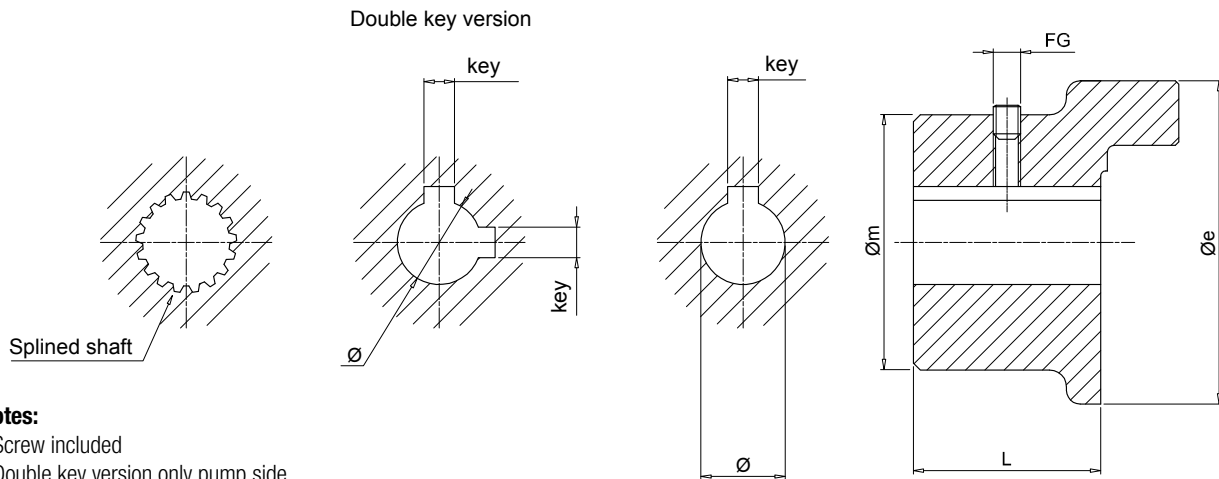
Size	SGEG	SGES	SGEK
	01	01	01
	30	30	21
	40	40	31
	60	60	51
	80	80	40
	90	90	60
			80

**Pump shaft code**

**PD02** See pages 19

**Length**

**050** See pages 28 ÷ 30



**Notes:**

- Screw included
- Double key version only pump side

### Motor half-coupling

IEC - Electric motors		Half-coupling code	Dimensions [mm]							Weight [kg]
Motor size	Shaft end [Ø x L]		Øe	Øm	L	Ø	key	FG		
63	11x23	<b>SGEG01M01021</b>	40	50	21	11	4	M6	0.32	
71	14x30	<b>SGEG01M02028</b>	40	50	28	14	5	M6	0.42	
80	19x40	<b>SGEG01M03040</b>	40	50	40	19	6	M6	0.61	
90	24x50	<b>SGEG01M04050</b>	40	50	50	24	8	M6	0.77	
100 - 112	28x60	<b>SGEG30M05060</b>	80	65	60	28	8	M8	2.35	
		<b>SGEG40M05060</b>	95	75	60	28	8	M8	2.65	
132	38x80	<b>SGEG30M06080</b>	80	65	80	38	10	M8	3.15	
		<b>SGEG40M06080</b>	95	75	80	38	10	M8	3.55	
160	42x110	<b>SGEG40M07110</b>	95	75	110	42	12	M8	4.70	
180	48x110	<b>SGEG40M08110</b>	95	95	110	48	14	M8	4.55	
200	55x110	<b>SGEG40M09110</b>	95	95	110	55	16	M8	4.35	
		<b>SGEG60M09110</b>	120	98	110	55	16	M8	9.00	
225	60x140	<b>SGEG60M10140</b>	120	118	140	60	18	M8	12.30	
250	65x140	<b>SGEG60M11140</b>	120	118	140	65	18	M8	12.00	
		<b>SGEG80M11140</b>	160	138	140	65	18	M8	18.30	
280	75x140	<b>SGEG80M12140</b>	160	138	140	75	20	M10	17.70	
		<b>SGEG90M12100</b>	200	160	100	75	20	M10	21.00	
315	80x170	<b>SGEG80M13170</b>	160	138	170	80	22	M10	20.60	
		<b>SGEG90M13100</b>	200	160	100	80	22	M10	20.00	
355	95x140	<b>SGEG90M15100</b>	200	160	100	95	25	M10	19.00	
400	100x210	<b>SGEG90M16100</b>	200	160	100	100	28	M10	18.00	

### Pump half-couplings

Half-coupling code	Dimensions [mm]					Standard lengths [mm]
	Ø min	Ø max	Øe	L min	L max	
<b>SGEG01 *** **</b>	-	24	40	20	50	every 5 mm
<b>SGEG30 *** **</b>	-	42	80	30	80	
<b>SGEG40 *** **</b>	-	55	95	30	110	
<b>SGEG60 *** **</b>	-	75	120	40	140	
<b>SGEG80 *** **</b>	-	85	160	50	170	
<b>SGEG90 *** **</b>	-	100	200	40	100	

Complete the half-coupling code with the shaft's code and length

Example: **SGEG40PD02040**

**PD02** - see page 19

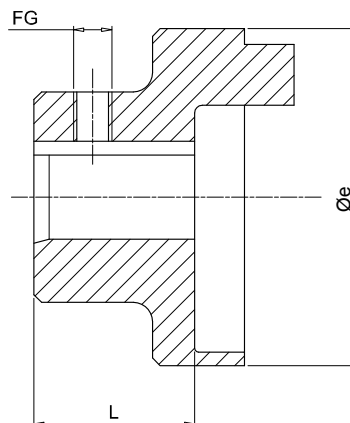
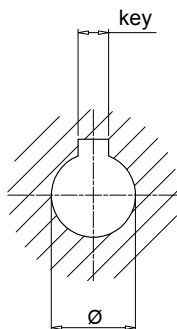
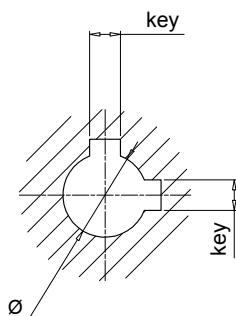
**040** - table "pump half-coupling - standard lengths"

All SGEG series half-couplings are supplied with a grub screw hole as standard, and with a grub screw **UNI 5929 DIN 916** fitted to the hub.

**Note:** For lengths other than those indicated in "Pump half-coupling" table, contact MP Filtri Technical and Sales Department.

## Dimensions

Double key version



**Notes:**

- Screw not included
- Double key version pump side only

### Motor half-coupling

IEC - Electric motors Motor size	Shaft end [Ø x L]	Half-coupling code	Øe	Dimensions [mm]				Weight [kg]
				L	Ø	key	FG	
63	11x23	<b>SGEA01M01019FG</b>	44.0	21	11	4	M5	0.07
71	14x30	<b>SGEA01M02028FG</b>	44.0	28	14	5	M5	0.08
80	19x40	<b>SGEA01M03040FG</b>	44.0	40	19	6	M5	0.12
		<b>SGEA21M03040FG</b>	70.0	40	19	6	M6	0.30
90	24x50	<b>SGEA01M04048FG</b>	44.0	48	24	8	M5	0.13
		<b>SGEA21M04048FG</b>	70.0	48	24	8	M6	0.28
100 - 112	28x60	<b>SGEA21M05060FG</b>	70.0	60	28	8	M6	0.33
		<b>SGEA31M05060FG</b>	85.0	60	28	8	M8	0.48
		<b>SGEA21M06080FG</b>	70.0	80	38	10	M6	0.44
132	38x80	<b>SGEA31M06077FG</b>	85.0	77	38	10	M8	0.78
		<b>SGEA51M06077FG</b>	109.5	77	38	10	M8	1.60
		<b>SGEA51M07109FG</b>	109.5	109	42	12	M8	1.60
160	42x110	<b>SGEA51M07109FG</b>	109.5	109	42	12	M8	1.60
180	48x110	<b>SGEA51M08109FG</b>	109.5	109	48	14	M8	1.60
200	55x110	<b>SGEA51M09109FG</b>	109.5	109	55	16	M8	1.90

### Pump half-couplings

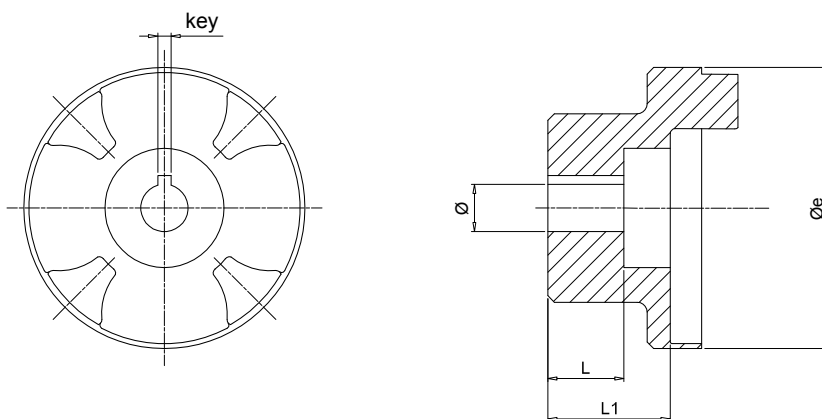
Half-coupling code	Dimensions [mm]					Standard lengths [mm]								FG		
	Ø min	Ø max	Øe	L min	L max	17	23	30	40	44	48	-	-		-	-
<b>SGEA01 *** **</b>	11	19	44.0	17	50	17	23	30	40	44	48	-	-	-	-	M5
<b>SGEA21 *** **</b>	15	24	70.0	23	50	35	40	42	44	48	50	-	-	-	-	M6
<b>SGEA21 *** **</b>	25	28	70.0	40	60	40	42	44	48	50	55	58	60	-	-	M6
<b>SGEA31 *** **</b>	18	32	85.0	40	60	42	45	48	50	52	55	58	60	-	-	M8
<b>SGEA31 *** **</b>	38	42	85.0	60	80	60	65	70	77	80	-	-	-	-	-	M8
<b>SGEA51 *** **</b>	18	40	109.5	40	70	42	45	48	50	52	55	58	60	65	70	M8
<b>SGEA51 *** **</b>	38	55	109.5	70	109	70	75	80	85	90	95	100	105	109	-	M8

Complete the half-coupling code with the shaft's code and length

Example: **SGEA51D02040FG**

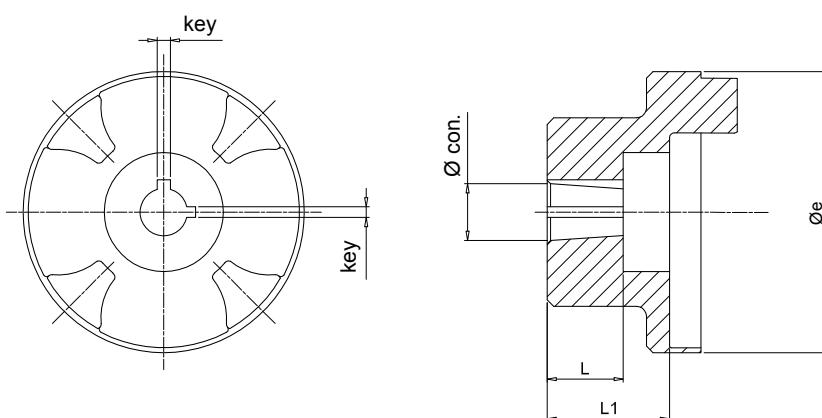
**D02** - see page 18

**040** - table "pump half-coupling - standard lengths"



### Half-coupling for gear pumps - parallel

Half-coupling code	Dimensions [mm]					Weight [kg]
	Øe	L	L1	Ø	key	
<b>SGEA01FS05M</b>	44	10.0	17.0	6	2	0.07
<b>SGEA01FS05C</b>	44	10.0	17.0	7	2	0.08
<b>SGEA01FS1C0</b>	44	-	17.0	12	3	0.13
<b>SGEA21FS1C0</b>	70	14.5	21.5	12	3	0.48
<b>SGEA31FS1C0</b>	85	14.5	37.0	12	3	1.90

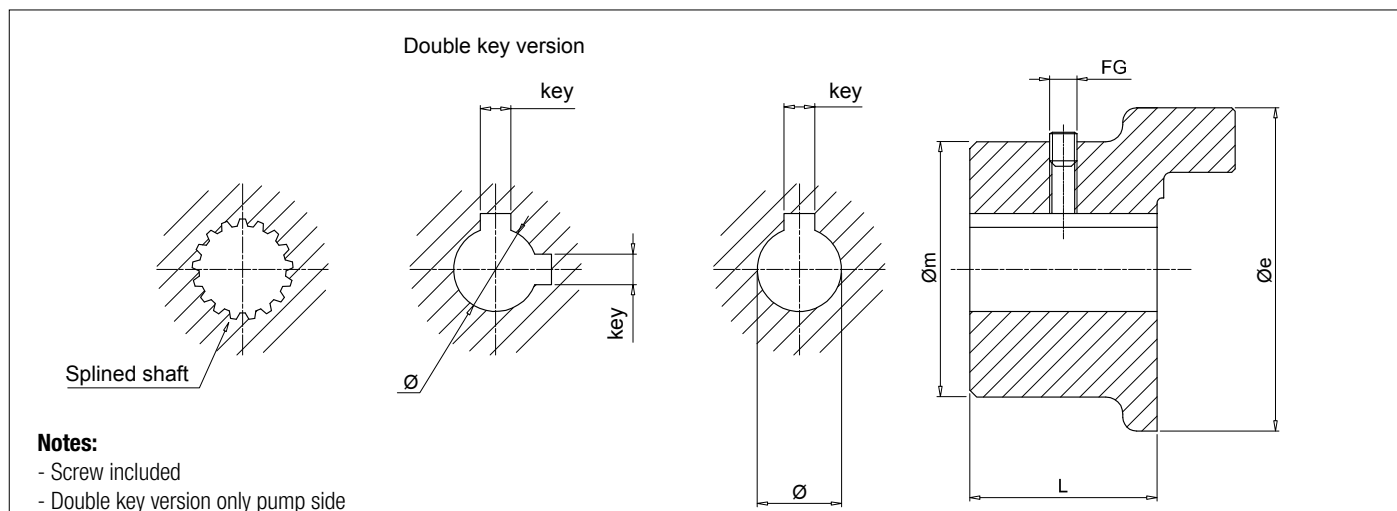


### Half-coupling for gear pumps - tapered

Half-coupling code	Dimensions [mm]					Weight [kg]	Conical
	Øe	L	L1	Ø	key		
<b>SGEA01FS100</b>	44.0	14.5	16.0	9.7	2.4	0.12	1:8
<b>SGEA01FS1M0</b>	44.0	16.0	16.0	13.9	3	0.30	1:8
<b>SGEA01FSZBR</b>	44.0	11.5	14.5	9.8	2	0.28	1:5
<b>SGEA21FS100</b>	70.0	14.5	21.5	9.7	2.4	0.33	1:8
<b>SGEA21FS1M0</b>	70.0	18.5	21.5	13.9	3	0.78	1:8
<b>SGEA21FS200</b>	70.0	21.5	21.5	17.2	3.2 - 4	1.60	1:8
<b>SGEA21FSZFR</b>	70.0	20.0	21.5	16.9	3	1.60	1:5
<b>SGEA21FS300</b>	70.0	27.0	41.0	21.6	4	1.60	1:8
<b>SGEA31FS100</b>	85.0	14.5	37.0	9.7	2.4	1.90	1:8
<b>SGEA31FS1M0</b>	85.0	17.5	36.0	13.9	3	0.33	1:8
<b>SGEA31FS200</b>	85.0	23.0	37.0	17.2	3.2 - 4	0.48	1:8
<b>SGEA31FS300</b>	85.0	27.0	37.0	21.6	4	0.78	1:8
<b>SGEA31FS350</b>	85.0	35.0	37.0	25.6	4.76 - 5	1.60	1:8
<b>SGEA31FSZFR</b>	85.0	17.0	37.0	16.9	3	1.60	1:5
<b>SGEA31FSZGR</b>	85.0	27.0	34.0	25.2	5	1.60	1:5
<b>SGEA51FS200</b>	109.5	23.5	32.0	17.2	3.2 - 4	1.90	1:8
<b>SGEA51FS300</b>	109.5	25.0	32.0	21.6	4	1.90	1:8
<b>SGEA51FS350</b>	109.5	32.0	32.0	25.6	4.76-5	1.60	1:8
<b>SGEA51FSZFR</b>	109.5	19.5	32.0	16.9	3	1.90	1:5
<b>SGEA51FSZGR</b>	109.5	25.0	32.0	24.6	5	1.90	1:5



## Dimensions



### Notes:

- Screw included
- Double key version only pump side

## Motor half-coupling

IEC - Electric motors		Half-coupling code	Dimensions [mm]							Weight [kg]
Motor size	Shaft end [Ø x L]		Øe	Øm	L	Ø	key	FG		
63	11x23	<b>SGES01M01021</b>	40	50	21	11	4	M6	0.32	
71	14x30	<b>SGES01M02028</b>	40	50	28	14	5	M6	0.42	
80	19x40	<b>SGES01M03040</b>	40	50	40	19	6	M6	0.61	
90	24x50	<b>SGES01M04050</b>	40	50	50	24	8	M6	0.77	
100 - 112	28x60	<b>SGES31M05060</b>	80	-	60	28	8	M8	2.35	
		<b>SGES40M05060</b>	95	-	60	28	8	M8	2.65	
132	38x80	<b>SGES31M06080</b>	80	-	80	38	10	M8	3.15	
		<b>SGES40M06080</b>	95	-	80	38	10	M8	3.55	
160	42x110	<b>SGES40M07110</b>	95	-	110	42	12	M8	4.70	
180	48x110	<b>SGES40M08110</b>	95	-	110	48	14	M8	4.55	
200	55x110	<b>SGES40M09110</b>	95	-	110	55	16	M8	4.35	
		<b>SGES60M09110</b>	120	-	110	55	16	M8	9.00	
225	60x140	<b>SGES60M10140</b>	120	-	140	60	18	M8	12.30	
250	65x140	<b>SGES60M11140</b>	120	-	140	65	18	M8	12.00	
		<b>SGES80M11140</b>	160	-	140	65	18	M8	18.30	
280	75x140	<b>SGES80M12140</b>	160	-	140	75	20	M10	17.70	
		<b>SGES90M12100</b>	200	-	100	75	20	M10	21.00	
315	80x170	<b>SGES80M13170</b>	160	-	170	80	22	M10	20.60	
		<b>SGES90M13100</b>	200	-	100	80	22	M10	20.00	
355	95x140	<b>SGES90M15100</b>	200	-	100	95	25	M10	19.00	
400	100x210	<b>SGES90M16100</b>	200	-	100	100	28	M10	18.00	

## Pump half-couplings

Half-coupling code	Dimensions [mm]					Standard lengths [mm]
	Ø min	Ø max	Øe	L min	L max	
<b>SGES01</b> *** **	-	24	40	20	50	every 5 mm
<b>SGES30</b> *** **	-	42	80	30	80	
<b>SGES40</b> *** **	-	55	95	30	110	
<b>SGES60</b> *** **	-	75	120	40	140	
<b>SGES80</b> *** **	-	85	160	50	170	
<b>SGES90</b> *** **	-	100	200	40	100	

Complete the half-coupling code with the shaft's code and length

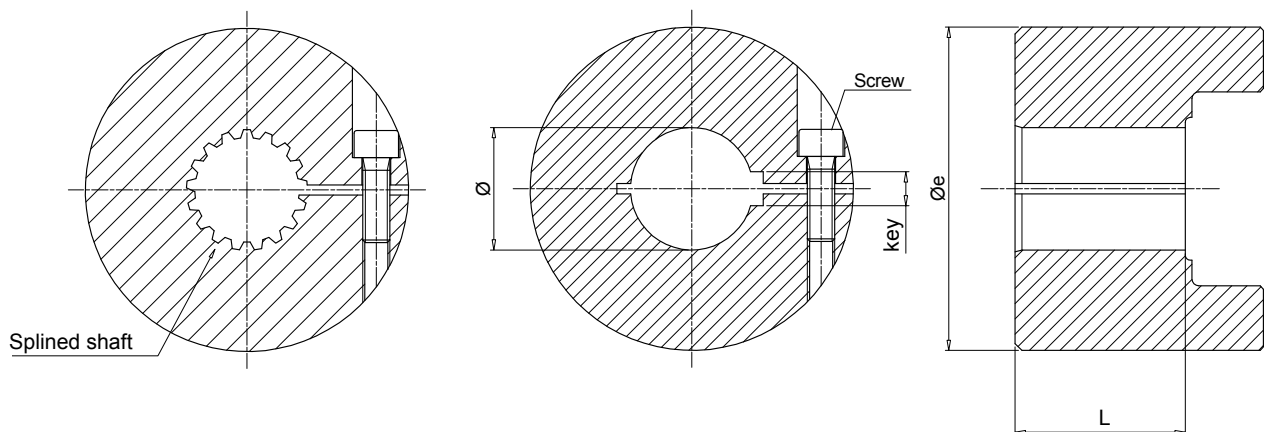
Example: **SGES40PD02040**

**PD02** - see page 19

**040** - table "pump half-coupling - standard lengths"

All SGES series half-couplings are supplied with a grub screw hole as standard, and with a grub screw **UNI 5929 DIN 916** fitted to the hub.

**Note:** For lengths other than those indicated in "Pump half-coupling" table, contact MP Filtri Technical and Sales Department.



### Motor half-coupling

IEC - Electric motors		Half-coupling code	Dimensions [mm]					Weight [kg]
Motor size	Shaft end [Ø x L]		Øe	L	Ø	key	Screw	
132	38x80	<b>SGES40M06050GO</b>	95	50	38	10	M8	4.00
160	42x110	<b>SGES40M07065GO</b>	95	65	42	12	M8	5.00
180	48x110	<b>SGES40M08065GO</b>	95	65	48	14	M8	5.00
200	55x110	<b>SGES60M09085GO</b>	120	85	55	16	M10	8.00
225	60x140	<b>SGES60M10085GO</b>	120	85	60	18	M10	8.00
250	65x140	<b>SGES60M11085GO</b>	120	85	65	18	M10	8.00
280	75x140	<b>SGES60M12085GO</b>	120	85	75	20	M10	8.00
315	80x170	<b>SGES80M13085GO</b>	160	85	80	22	M10	13.00

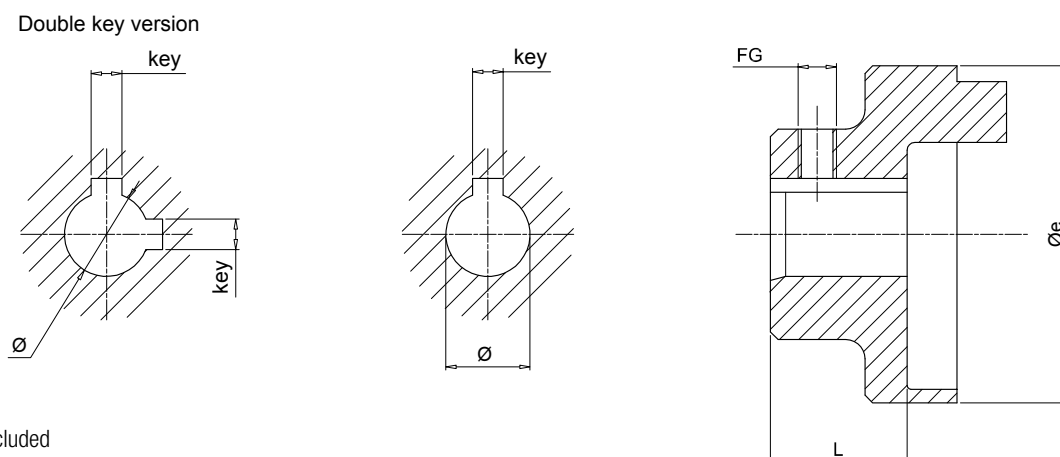
### Pump half-couplings

Half-coupling code	Dimensions [mm]			
	Ø min	Ø max	Øe	L
<b>SGES40 *** **</b>	-	55	95	35
<b>SGES60 *** **</b>	-	65	120	65
<b>SGES80 *** **</b>	-	75	160	85

Complete the half-coupling designation with the pump interface code and the length.

Example: **SGES40PD02035GO** (see page 19).

## Dimensions



### Notes:

- Screw not included
- Double key version pump side only

## Motor half-coupling

IEC - Electric motors		Half-coupling code	Dimensions [mm]					Weight [kg]
Motor size	Shaft end [Ø x L]		Øe	L	Ø	key	FG	
63	11x23	<b>SGEA01M01019FG</b>	44.0	21	11	4	M5	0.07
71	14x30	<b>SGEA01M02028FG</b>	44.0	28	14	5	M5	0.08
80	19x40	<b>SGEA01M03040FG</b>	44.0	40	19	6	M5	0.12
		<b>SGEA21M03040FG</b>	70.0	40	19	6	M6	0.30
90	24x50	<b>SGEA01M04048FG</b>	44.0	48	24	8	M5	0.13
		<b>SGEA21M04048FG</b>	70.0	48	24	8	M6	0.28
100 - 112	28x60	<b>SGEA21M05060FG</b>	70.0	60	28	8	M6	0.33
		<b>SGEA31M05060FG</b>	85.0	60	28	8	M8	0.48
132	38x80	<b>SGEA21M06080FG</b>	70.0	80	38	10	M6	0.44
		<b>SGEA31M06077FG</b>	85.0	77	38	10	M8	0.78
		<b>SGEA51M06077FG</b>	109.5	77	38	10	M8	1.60
160	42x110	<b>SGEA51M07109FG</b>	109.5	109	42	12	M8	1.60
180	48x110	<b>SGEA51M08109FG</b>	109.5	109	48	14	M8	1.60
200	55x110	<b>SGEA51M09109FG</b>	109.5	109	55	16	M8	1.90

## Pump half-couplings

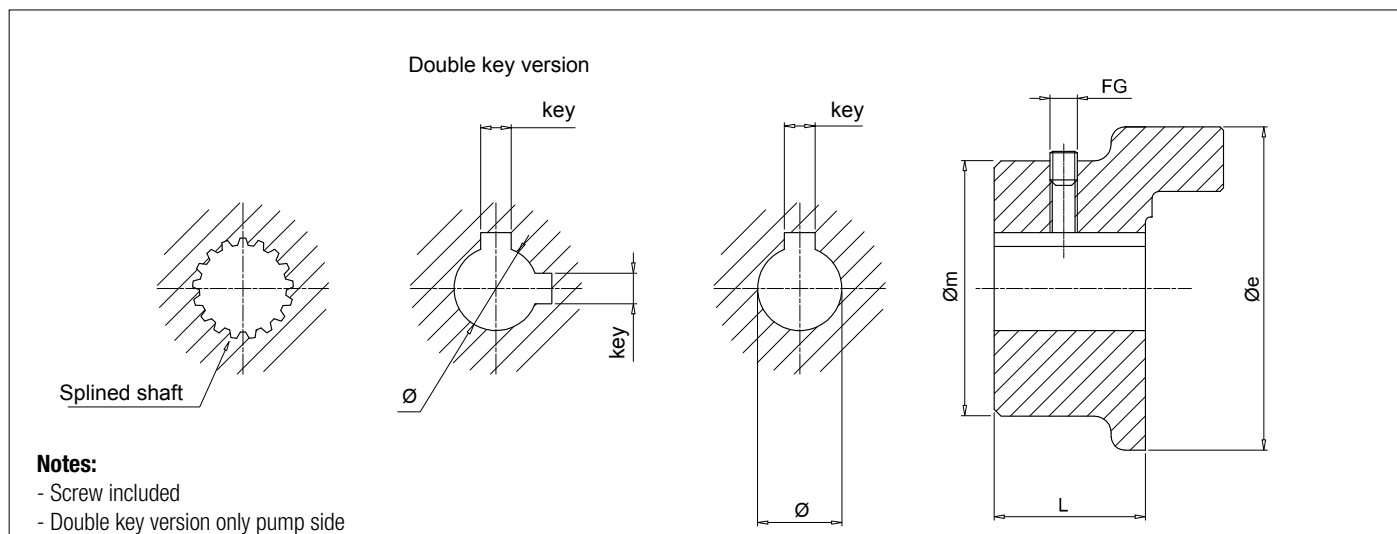
Half-coupling code	Dimensions [mm]				FG	Weight [kg]
	Ø min	Ø max	Øe	L		
<b>SGEK01 *** **</b>	11	19	44.0	25	M5	0.08
<b>SGEK21 *** **</b>	15	28	70.0	35	M6	0.10
<b>SGEK31 *** **</b>	18	42	85.0	45	M8	0.15
<b>SGEK51 *** **</b>	18	55	109.5	50	M8	0.35

Complete the half-coupling code with the shaft's code and length

Example: **SGEK51D02050FG**

**D02** - see page 18

**050** - table "pump half coupling - dimension L"


**Notes:**

- Screw included
- Double key version only pump side

**Motor half-coupling**

IEC - Electric motors		Half-coupling code	Dimensions [mm]							Weight [kg]
Motor size	Shaft end [Ø x L]		Øe	Øm	L	Ø	key	FG		
63	11x23	<b>SGEG01M01021</b>	40	50	21	11	4	M6	0.32	
71	14x30	<b>SGEG01M02028</b>	40	50	28	14	5	M6	0.42	
80	19x40	<b>SGEG01M03040</b>	40	50	40	19	6	M6	0.61	
90	24x50	<b>SGEG01M04050</b>	40	50	50	24	8	M6	0.77	
100 - 112	28x60	<b>SGEG30M05060</b>	80	65	60	28	8	M8	2.35	
		<b>SGEG40M05060</b>	95	75	60	28	8	M8	2.65	
132	38x80	<b>SGEG30M06080</b>	80	65	80	38	10	M8	3.15	
		<b>SGEG40M06080</b>	95	75	80	38	10	M8	3.55	
160	42x110	<b>SGEG40M07110</b>	95	75	110	42	12	M8	4.70	
180	48x110	<b>SGEG40M08110</b>	95	95	110	48	14	M8	4.55	
200	55x110	<b>SGEG40M09110</b>	95	95	110	55	16	M8	4.35	
		<b>SGEG60M09110</b>	120	98	110	55	16	M8	9.00	
225	60x140	<b>SGEG60M10140</b>	120	118	140	60	18	M8	12.30	
250	65x140	<b>SGEG60M11140</b>	120	118	140	65	18	M8	12.00	
		<b>SGEG80M11140</b>	160	138	140	65	18	M8	18.30	
280	75x140	<b>SGEG80M12140</b>	160	138	140	75	20	M10	17.70	
		<b>SGEG90M12100</b>	200	160	100	75	20	M10	21.00	
315	80x170	<b>SGEG80M13170</b>	160	138	170	80	22	M10	20.60	
		<b>SGEG90M13100</b>	200	160	100	80	22	M10	20.00	
355	95x140	<b>SGEG90M15100</b>	200	160	100	95	25	M10	19.00	
400	100x210	<b>SGEG90M16100</b>	200	160	100	100	28	M10	18.00	

**Pump half-couplings**

Half-coupling code	Dimensions [mm]				FG	Weight [kg]
	Ø min	Ø max	Øe	L		
<b>SGEK40 *** **</b>	-	55	95	50	M8	3
<b>SGEK60 *** **</b>	-	75	12	65	M8	6
<b>SGEK80 *** **</b>	-	85	160	85	M10	8

Complete the half-coupling code with the shaft's code and length

Example: **SGEK40PD02050**

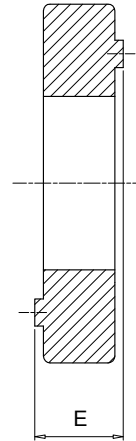
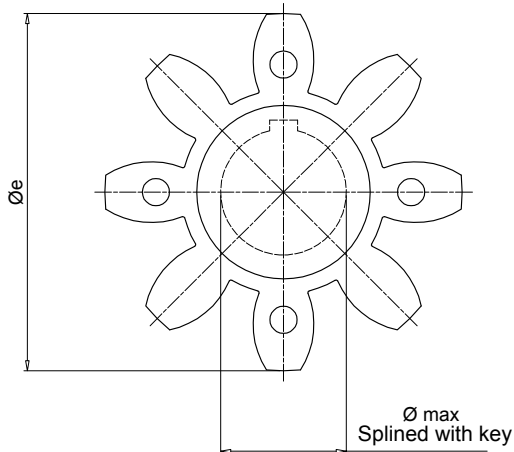
**PD02** - see page 19

**050** - table "pump half coupling - dimension L"

All SGEK/SGEK series half-couplings are supplied with a grub screw hole as standard, and with a grub screw **UNI 5929 DIN 916** fitted to the hub.

**Note:** For lengths other than those indicated in "Pump half-coupling" table, contact MP Filtri Technical and Sales Department.

## Dimensions

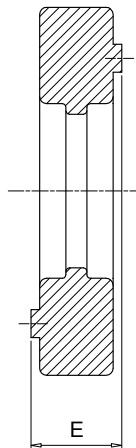
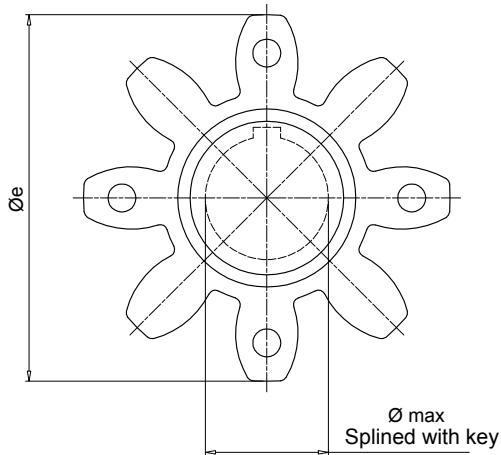


**Notes:**

Made of black oil-resistant rubber, these components serve to interconnect the two halves (motor - pump) of a flexible coupling.

### EGE\*\* series

Code	Half-coupling code		Dimensions [mm]			Nominal torque Nm	Max torque Nm	Weight [kg]
			E	Øe	Ø max			
		<b>RCTAFIT</b>						
<b>EGE0</b>	SGEA01 - SGEG01	SGEK01	15	40	16	10	20	0.006
<b>EGE2</b>	SGEA21	SGEK21	18	65	25	95	190	0.02
<b>EGE3</b>	SGEA31 - SGEG30	SGEK31	22	80	35	190	380	0.04
<b>EGE5</b>	SGEA51	SGEK51	26	105	45	310	620	0.06
<b>EGE4</b>	SGEG40 - SGES40	SGEK40	24	95	40	310	620	0.09
<b>EGE6</b>	SGEG60 - SGES60	SGEK60	28	120	55	430	860	0.13
<b>EGE8</b>	SGEG80 - SGES80	SGEK80	38	160	75	1250	2500	0.36



**Notes:**

Made in polyurethane Laripur - LPR202-95A, red colour, are suitable for applications where high levels of torque are transmitted.

### EGE\*\*RR series

Code	Half-coupling code		Dimensions [mm]			Nominal torque Nm	Max torque Nm	Weight [kg]
			E	Øe	Ø max			
		<b>RCTAFIT</b>						
<b>EGE0RR</b>	SGEA01 - SGEG01	SGEK01	15	40	16	15	30	0.006
<b>EGE2RR</b>	SGEA21	SGEK21	18	65	25	115	230	0.02
<b>EGE3RR</b>	SGEA31 - SGEG30	SGEK31	22	80	35	250	500	0.04
<b>EGE5RR</b>	SGEA51	SGEK51	26	105	45	400	800	0.06
<b>EGE4RR</b>	SGEG40 - SGES40	SGEK40	24	95	40	380	760	0.09
<b>EGE6RR</b>	SGEG60 - SGES60	SGEK60	28	120	55	550	1100	0.13
<b>EGE8RR</b>	SGEG80 - SGES80	SGEK80	38	160	75	1400	2900	0.36
<b>EGE9RP</b>	SGEG90	-	45	200	95	8900	9900	0.59

Version for extreme temperatures available on request.

For further information, contact MP Filtri Technical and Sales Department.

**Metric cylindrical finish Keyway to DIN 6885 sheet 1**

Size	Materials	Diameter / Key [mm]																								
		8	9	10	11	12	13	14	15	15	16	16	17	18	19	19	20	20	22	22	22	24	24	25	25	
		3	3	3	4	4	5	5	5	4	4	5	5	5	6	5	6	5	6	6	8	5	6	8	8	7
01	Aluminium				•	•	•	•	•	•	•	•	•	•	•	•	•	•	•	•	•	•	•	•		
	Steel				•	•	•	•	•	•	•	•	•	•	•	•	•	•	•	•	•	•	•	•	•	
	Cast Iron				•	•	•	•	•	•	•	•	•	•	•	•	•	•	•	•	•	•	•	•	•	
21	Aluminium							•	•	•	•	•	•	•	•	•	•	•	•	•	•	•	•	•	•	•
	Steel							•	•	•	•	•	•	•	•	•	•	•	•	•	•	•	•	•	•	•
	Cast Iron							•	•	•	•	•	•	•	•	•	•	•	•	•	•	•	•	•	•	•
31	Aluminium														•	•	•	•	•	•	•	•	•	•	•	•
	Steel														•	•	•	•	•	•	•	•	•	•	•	•
	Cast Iron														•	•	•	•	•	•	•	•	•	•	•	•
40	Aluminium																									
	Steel				•	•	•	•	•	•	•	•	•	•	•	•	•	•	•	•	•	•	•	•	•	•
	Cast Iron				•	•	•	•	•	•	•	•	•	•	•	•	•	•	•	•	•	•	•	•	•	•
51	Aluminium														•	•	•	•	•	•	•	•	•	•	•	•
	Steel														•	•	•	•	•	•	•	•	•	•	•	•
	Cast Iron														•	•	•	•	•	•	•	•	•	•	•	•
60	Aluminium																									
	Steel														•	•	•	•	•	•	•	•	•	•	•	•
	Cast Iron														•	•	•	•	•	•	•	•	•	•	•	•
80	Aluminium																									
	Steel														•	•	•	•	•	•	•	•	•	•	•	•
	Cast Iron														•	•	•	•	•	•	•	•	•	•	•	•
90	Aluminium																									
	Steel														•	•	•	•	•	•	•	•	•	•	•	•
	Cast Iron														•	•	•	•	•	•	•	•	•	•	•	•

Size	Materials	Diameter / Key [mm]																								
		28	30	30	32	32	35	35	38	40	42	45	48	50	52	55	60	63	65	70	75	80	82	90	95	100
		8	10	8	10	8	10	8	10	12	12	14	14	14	16	16	18	18	18	20	20	22	22	25	25	28
01	Aluminium																									
	Steel																									
	Cast Iron																									
21	Aluminium	•																								
	Steel	•																								
	Cast Iron																									
31	Aluminium	•	•	•	•	•	•	•	•																	
	Steel	•	•	•	•	•	•	•	•																	
	Cast Iron	•	•	•	•	•	•	•	•																	
40	Aluminium																									
	Steel	•	•	•	•	•	•	•	•	•	•	•	•													
	Cast Iron	•	•	•	•	•	•	•	•	•	•	•	•													
51	Aluminium	•	•	•	•	•	•	•	•	•	•	•	•	•	•	•										
	Steel																									
	Cast Iron																									
60	Aluminium																									
	Steel	•	•	•	•	•	•	•	•	•	•	•	•	•	•	•	•	•	•	•	•	•	•	•	•	•
	Cast Iron	•	•	•	•	•	•	•	•	•	•	•	•	•	•	•	•	•	•	•	•	•	•	•	•	•
80	Aluminium																									
	Steel	•	•	•	•	•	•	•	•	•	•	•	•	•	•	•	•	•	•	•	•	•	•	•	•	•
	Cast Iron	•	•	•	•	•	•	•	•	•	•	•	•	•	•	•	•	•	•	•	•	•	•	•	•	•
90	Aluminium																									
	Steel	•	•	•	•	•	•	•	•	•	•	•	•	•	•	•	•	•	•	•	•	•	•	•	•	•
	Cast Iron	•	•	•	•	•	•	•	•	•	•	•	•	•	•	•	•	•	•	•	•	•	•	•	•	•

## Imperial cylindrical finish Keyway to DIN 6885 sheet 1

Size	Materials	Diameter / Key [mm]															
		11.11 3.18	12.7 3.18	13.45 3.18	15.87 4.76	15.87 3.97	17.46 4.76	19.02 3.17	19.05 4.76	19.05 6.35	22.22 4.76	22.22 6.35	22.22 4	25.4 6.35	25.4 4.76	26.94 4.76	28.58 6.35
01	Aluminium				•	•	•	•	•	•	•	•	•	•	•	•	•
	Steel				•	•	•	•	•	•	•	•	•	•	•	•	•
	Cast Iron				•	•	•	•	•	•	•	•	•	•	•	•	•
21	Aluminium							•	•	•	•	•	•	•	•	•	
	Steel							•	•	•	•	•	•	•	•	•	
	Cast Iron							•	•	•	•	•	•	•	•	•	
31	Aluminium							•	•	•	•	•	•	•	•	•	
	Steel							•	•	•	•	•	•	•	•	•	
	Cast Iron							•	•	•	•	•	•	•	•	•	
40	Aluminium																
	Steel				•	•	•	•	•	•	•	•	•	•	•	•	
	Cast Iron				•	•	•	•	•	•	•	•	•	•	•	•	
51	Aluminium							•	•	•	•	•	•	•	•	•	
	Steel							•	•	•	•	•	•	•	•	•	
	Cast Iron							•	•	•	•	•	•	•	•	•	
60	Aluminium																
	Steel							•	•	•	•	•	•	•	•	•	
	Cast Iron							•	•	•	•	•	•	•	•	•	
80	Aluminium																
	Steel							•	•	•	•	•	•	•	•	•	
	Cast Iron							•	•	•	•	•	•	•	•	•	
90	Aluminium																
	Steel												•	•	•	•	
	Cast Iron												•	•	•	•	

Size	Materials	Diameter / Key [mm]															
		28.58 7.94	31.75 6.35	31.75 7.94	34.94 7.94	38.1 9.52	41.27 9.52	41.6 12	44.45 11.11	47.63 12.7	50.8 12.7	53.94 12.7	60.33 15.88	60.33 12.7	73.03 19.05	85.73 22.23	92.07 22.22
01	Aluminium	•															
	Steel	•															
	Cast Iron	•															
21	Aluminium	•															
	Steel	•															
	Cast Iron	•															
31	Aluminium	•	•	•	•	•	•	•	•								
	Steel	•	•	•	•	•	•	•	•								
	Cast Iron	•	•	•	•	•	•	•	•								
40	Aluminium																
	Steel	•	•	•	•	•	•	•	•	•	•	•					
	Cast Iron	•	•	•	•	•	•	•	•	•	•	•					
51	Aluminium	•	•	•	•	•	•	•	•	•	•	•	•	•			
	Steel																
	Cast Iron																
60	Aluminium																
	Steel	•	•	•	•	•	•	•	•	•	•	•	•	•	•	•	
	Cast Iron	•	•	•	•	•	•	•	•	•	•	•	•	•	•	•	
80	Aluminium																
	Steel	•	•	•	•	•	•	•	•	•	•	•	•	•	•	•	
	Cast Iron	•	•	•	•	•	•	•	•	•	•	•	•	•	•	•	
90	Aluminium																
	Steel	•	•	•	•	•	•	•	•	•	•	•	•	•	•	•	
	Cast Iron	•	•	•	•	•	•	•	•	•	•	•	•	•	•	•	

## SAE involute spline (angle 30°) - ANS.B.92.1.1970

Size	Materials	Nr. of th - Diametral pitch															
		9 16/32	10 16/32	11 16/32	12 16/32	13 16/32	14 16/32	15 16/32	21 16/32	23 16/32	27 16/32	33 16/32	40 16/33	14 12/24	16 12/24	17 12/24	13 8/16
01	Steel	•	•	•	•	•	•	•						•			
	Cast Iron	•	•	•	•	•	•	•						•			
21	Steel	•	•	•	•	•	•	•						•			
	Cast Iron	•	•	•	•	•	•	•						•			
31	Steel	•	•	•	•	•	•	•	•	•	•			•	•	•	•
	Cast Iron	•	•	•	•	•	•	•	•	•	•			•	•	•	•
40	Steel			•	•	•	•	•	•	•	•	•		•	•	•	•
	Cast Iron			•	•	•	•	•	•	•	•	•		•	•	•	•
60	Steel					•	•	•	•	•	•	•		•	•	•	•
	Cast Iron					•	•	•	•	•	•	•		•	•	•	•
80	Steel								•	•	•	•	•		•	•	•
	Cast Iron								•	•	•	•	•		•	•	•
90	Steel								•	•	•	•	•		•	•	•
	Cast Iron								•	•	•	•	•		•	•	•

Size	Materials	Nr. of th - Diametral pitch														
		15 8/16	17 8/16	20 24/48	21 24/48	23 24/48	25 24/48	26 24/48	28 24/48	29 24/48	32 24/48	23 40/80	36 48/96	41 48/96	47 48/96	33 32/64
01	Steel			•	•	•			•	•		•	•	•	•	
	Cast Iron			•	•	•			•	•		•	•	•	•	
21	Steel			•	•	•	•	•	•	•		•	•	•	•	
	Cast Iron			•	•	•	•	•	•	•		•	•	•	•	
31	Steel	•		•	•	•	•	•	•	•	•	•	•	•	•	
	Cast Iron	•		•	•	•	•	•	•	•	•	•	•	•	•	•
40	Steel	•	•	•	•	•	•	•	•	•	•	•	•	•	•	•
	Cast Iron	•	•	•	•	•	•	•	•	•	•	•	•	•	•	•
60	Steel	•	•	•	•	•	•	•	•	•	•			•	•	•
	Cast Iron	•	•	•	•	•	•	•	•	•	•			•	•	•
80	Steel	•	•								•					•
	Cast Iron	•	•								•					•
90	Steel	•	•								•					•
	Cast Iron	•	•								•					•



## Spline bores to DIN 5480

Size	Materials	Nr. of th - Size										
		13	14	14	14	16	17	18	18	18	20	18
		18x1.25	20x1.25	30x2	32x2	35x2	37x2	25x1.25	38x2	40x2	42x2	60x3
01	Steel	•	•									
	Cast Iron	•	•									
21	Steel	•	•	•	•	•		•				
	Cast Iron	•	•	•	•	•		•				
31	Steel	•	•	•	•	•	•	•				
	Cast Iron	•	•	•	•	•	•	•				
40	Steel	•	•	•	•	•	•	•	•	•	•	
	Cast Iron	•	•	•	•	•	•	•	•	•	•	
60	Steel	•	•	•	•	•	•	•	•	•	•	•
	Cast Iron	•	•	•	•	•	•	•	•	•	•	•
80	Steel				•	•	•		•	•	•	•
	Cast Iron				•	•	•		•	•	•	•
90	Steel								•	•	•	•
	Cast Iron								•	•	•	•

Size	Materials	Nr. of th - Size									
		21	21	22	24	24	26	28	29	34	38
		28x1.25	45x2	70x3	32x1.25	50x2	55x2	60x2	38x1.25	70x2	80x2
01	Steel										
	Cast Iron										
21	Steel	•									
	Cast Iron	•									
31	Steel	•			•				•		
	Cast Iron	•			•				•		
40	Steel	•	•		•				•		
	Cast Iron	•	•		•				•		
60	Steel	•	•		•	•	•	•	•		
	Cast Iron	•	•		•	•	•	•	•		
80	Steel		•	•	•	•	•	•	•	•	•
	Cast Iron		•	•	•	•	•	•	•	•	•
90	Steel		•	•		•	•	•	•	•	•
	Cast Iron		•	•		•	•	•	•	•	•

## Spline bores to DIN 5481

Size	Materials	Nr. of th - Size									
		28 8x10	30 10x12	31 12x14	32 15x17	33 17x20	34 21x24	35 26x30	36 38x34	41 60x65	
01	Steel	•	•	•	•	•	•				
	Cast Iron	•	•	•	•	•	•				
21	Steel	•	•	•	•	•	•	•			
	Cast Iron	•	•	•	•	•	•	•			
31	Steel			•	•	•	•	•	•		
	Cast Iron			•	•	•	•	•	•		
40	Steel							•	•	•	
	Cast Iron							•	•	•	
60	Steel								•	•	•
	Cast Iron								•	•	•
80	Steel										•
	Cast Iron										•
90	Steel										•
	Cast Iron										•

## Spline bores to DIN 5482

Size	Materials	Nr. of th - Size															
		8 A15x12	9 A17x14	10 A18x15	12 A20x17	13 A22x19	14 A25x22	15 A28x25	16 A30x27	17 A32x28	18 A35x31	19 A38x34	20 A40x36	21 A42x38	22 A45x41	23 A48x44	24 A50x45
01	Steel	•	•	•	•	•	•										
	Cast Iron	•	•	•	•	•	•										
21	Steel	•	•	•	•	•	•	•	•	•	•	•					
	Cast Iron	•	•	•	•	•	•	•	•	•	•	•					
31	Steel							•	•	•	•	•					
	Cast Iron							•	•	•	•	•					
40	Steel																
	Cast Iron																
60	Steel																
	Cast Iron																
80	Steel																
	Cast Iron																
90	Steel																
	Cast Iron																

Size	Materials	Nr. of th - Size														
		25 A52x47	26 A55x50	27 A58x53	28 A60x55	29 A62x57	30 A65x60	31 A68x62	32 A70x64	33 A72x66	34 A75x69	35 A78x72	36 A80x74	37 A82x76	38 A85x79	39 A88x82
01	Steel															
	Cast Iron															
21	Steel															
	Cast Iron															
31	Steel															
	Cast Iron															
40	Steel	•	•													
	Cast Iron	•	•													
60	Steel	•	•	•	•	•	•	•								
	Cast Iron	•	•	•	•	•	•	•								
80	Steel	•	•	•	•	•	•	•	•	•	•	•	•	•	•	•
	Cast Iron	•	•	•	•	•	•	•	•	•	•	•	•	•	•	•
90	Steel	•	•	•	•	•	•	•	•	•	•	•	•	•	•	•
	Cast Iron	•	•	•	•	•	•	•	•	•	•	•	•	•	•	•



# AKG series

IEC electric motor range from size 63 up to size 225



## Technical data

### Couplings - IEC electric motor range from size 63 up to size 225

#### Materials

- Hubs: Aluminium, cast iron, steel
- Spider materials: NBR rubber 87 Sh A  
Polyurethane 95 Sh A

#### Compatibility with fluids

- Modular bell-housing components compatible for use with:
- Mineral oils types HH-HL-HM-HR-HV, to ISO 6743/4 standard
  - Water based emulsions types HFAE-HFAS, to ISO 6743/4 standard
  - Water glycol type HFC, to ISO 6743/4 standard: ask for anodized version

#### Special Applications

Any applications not covered by the normal indications contained in this catalogue must be evaluated and approved by MP Filtri Technical and Sales Department

#### Temperature

From -30 °C to +80 °C

#### Note

For temperatures outside this range, contact MP Filtri Technical and Sales Department



Standard ATEX Directive 2014/34/EU and UK Regulation S.I. 2016 No. 1107 (as amended).

On request, it's possible to certificate the AKG according to ATEX CAT. 2G - Areas 1 - 2

## IEC Electric motors

Coupling size	European standard size						German standard size			IEC Motors size
	0.5	1	2	3	3.5	4	ZB	ZF	ZG	
AKG02	●	●	●				●			IEC 63 Ø140 - Ø11x23
AKG03	●	●	●				●			IEC 71 Ø160 - Ø14x30
AKG04 / AKG05	●	●	●	●			●	●		IEC 80 Ø200 - Ø19x40
AKG07	●	●	●	●			●	●		IEC 90 Ø200 - Ø24x50
AKG07		●	●	●	●		●	●		IEC 110 Ø250 - Ø28x60
AKG11		●	●	●	●		●	●		IEC 112 Ø250 - Ø28x60
AKG12		●	●	●	●		●	●	●	IEC 132 Ø300 - Ø38x80
AKG13			●	●	●		●	●	●	IEC 160 Ø350 - Ø42x110
AKG13			●	●	●		●	●	●	IEC 180 Ø350 - Ø48x110
AKG16			●	●	●		●	●	●	IEC 200 Ø400 - Ø55x110
AKG18			●	●	●		●	●	●	IEC 225 Ø450 - Ø60x140




**KIT COUPLING FOR GEAR PUMPS**

Motors identification code Configuration example:

Size	Size
<b>02</b> 63 B3-B5	<b>13</b> 180 B3-B5
<b>03</b> 71 B3-B5	<b>43</b> 63 B14
<b>04</b> 80 B3-B5	<b>44</b> 71 B14
<b>05</b> 90 B3-B5	<b>45</b> 80 B14
<b>07</b> 100/112 B3-B5	<b>46</b> 90 B14
<b>11</b> 132 B3-B5	<b>48</b> 100/112 B14
<b>12</b> 160 B3-B5	

Pump flange identification code  
**FS200** See pages 43 - 44 - 45

Pump identification code  
**Z** Revision index

ATEX certification identification code  
**EX** ATEX Directive 2014/34/EU and UK Regulation S.I. 2016 No. 1107 (as amended)   




**KIT COUPLING FOR PISTON PUMPS VANES AND SCREWS**

Motors identification code Configuration example:

Size	Size
<b>M01</b> 80 B3-B5	<b>M07</b> 200 B3-B5
<b>M02</b> 90 B3-B5	<b>M08</b> 225 B3-B5
<b>M03</b> 100/112 B3-B5	<b>M09</b> 250 B3-B5
<b>M04</b> 132 B3-B5	<b>M10</b> 280 B3-B5
<b>M05</b> 160 B3-B5	<b>M11</b> 315 B3-B5
<b>M06</b> 180 B3-B5	<b>M12</b> 355 B3-B5

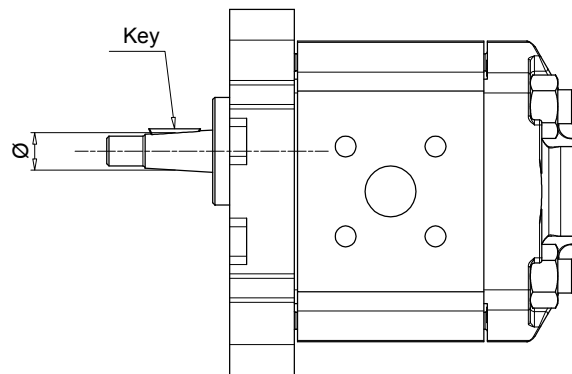
Electric motor identification code  
**M01** See software

Pump identification code  
**Z0000** See software

ATEX certification identification code  
**EX** ATEX Directive 2014/34/EU and UK Regulation S.I. 2016 No. 1107 (as amended)   

**NOTE:**

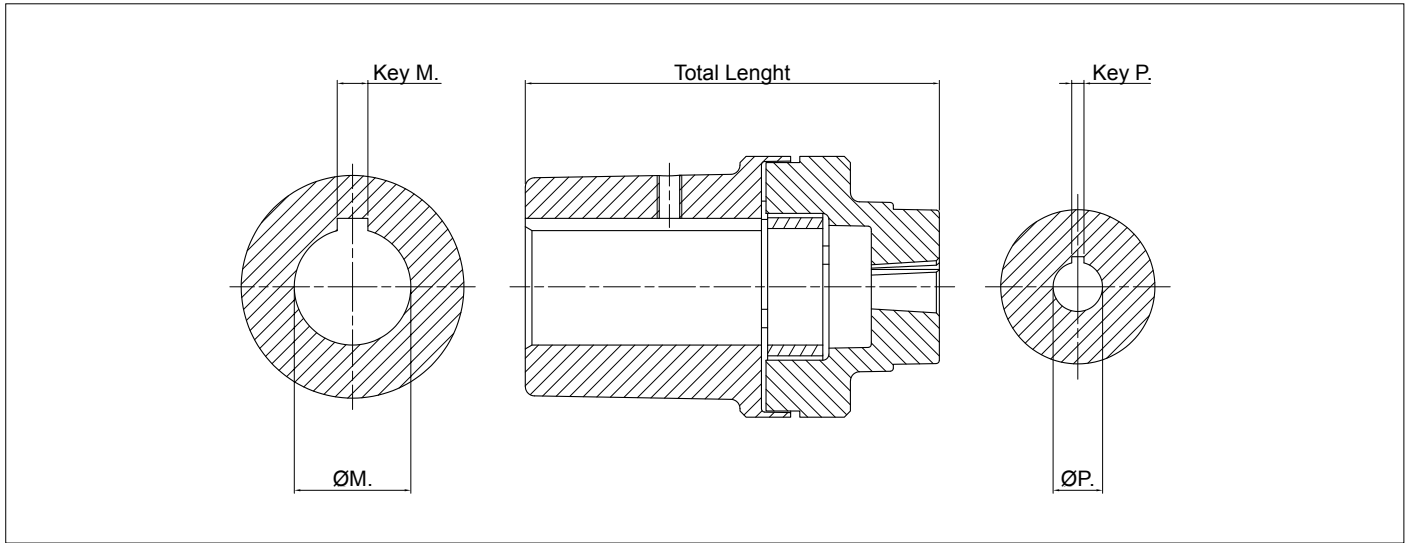
The complete code of the coupling kit can be selected following the selection of electric motor and hydraulic pump on the B&C selection software available on [www.mpfiltri.com](http://www.mpfiltri.com)



### Shaft identification

Pump group	d	Key	Shaft type	Pump half-coupling code
<b>05</b>	6.0	2.0	parallel	<b>FS05M</b>
	7.0	2.0	parallel	<b>FS05C</b>
<b>1</b>	9.7	2.4	tapered 1:8	<b>FS100</b>
	12.0	3.0	parallel	<b>FS1C0</b>
	13.9	3.0	tapered 1:8	<b>FS1M0</b>
<b>2</b>	17.2	3.2 - 4	tapered 1:8	<b>FS200</b>
	22.2	4.0	tapered 1:8	<b>FS300</b>
<b>3</b>	22.2	4.0	tapered 1:8	<b>FS300</b>
	22.2	4.0	tapered 1:8	<b>FS300</b>
	22.2	4.0	tapered 1:8	<b>FS300</b>
	22.2	4.0	tapered 1:8	<b>FS300</b>
<b>3.5</b>	25.6	4.76 - 5.0	tapered 1:8	<b>FS350</b>
	25.6	4.76 - 5.0	tapered 1:8	<b>FS350</b>
<b>4</b>	33.3	6.35 - 7.0	tapered 1:8	<b>FS400</b>
	33.3	6.35 - 7.0	tapered 1:8	<b>FS400</b>
<b>Bosch</b>	9.8	2.0	tapered 1:5	<b>FSZBR</b>
	16.9	3.0	tapered 1:5	<b>FSZFR</b>
	25.2	5.0	tapered 1:5	<b>FSZGR</b>





IEC Motors B3/5 - standard gear pump

IEC - Electric motors		Pump identification code	Components														
Motor size	Shaft end [Ø x L]		Motor half-coupling code	Spider code	Codice Semigiunto pompa	Complete coupling kit code	ØM.	Key M.	ØP.	Key P.	Tot. L.						
63	11x23	<b>FS05M</b>	SGEA01M01019FG	EGE 0	SGEA01FS05M	AKG02FS05MZEX	11	4	6	2	50						
		<b>FS05C</b>			SGEA01FS05C	AKG02FS05CZEX			7	2							
		<b>FS100</b>			SGEA01FS100	AKG02FS100ZEX			9.7-1.8	2.4							
		<b>FS1C0</b>			SGEA01FS1C0	AKG02FS1C0ZEX			12	3							
		<b>FS1M0</b>			SGEA01FS1M0	AKG02FS1MOZEX			13.9-1.8	3							
		<b>FSZBR</b>			SGEA01FSZBR	AKG02FSZBRZEX			9.8-1.5	2							
71	14x30	<b>FS05M</b>	SGEA01M02028FG	EGE 0	SGEA01FS05M	AKG03FS05MZEX	14	5	6	2	59						
		<b>FS05C</b>			SGEA01FS05C	AKG03FS05CZEX			7	2							
		<b>FS100</b>			SGEA01FS100	AKG03FS100ZEX			9.7-1.8	2.4							
		<b>FS1C0</b>			SGEA01FS1C0	AKG03FS1C0ZEX			12	3							
		<b>FS1M0</b>			SGEA01FS1M0	AKG03FS1MOZEX			13.9-1.8	3							
		<b>FSZBR</b>			SGEA01FSZBR	AKG03FSZBRZEX			9.8-1.5	2							
80	19x40	<b>FS05M</b>	SGEA01M03048FG	EGE 0	SGEA01FS05M	AKG04FS05MZEX	19	6	6	2	80						
		<b>FS05C</b>			SGEA01FS05C	AKG04FS05CZEX			7	2							
		<b>FS100</b>			SGEA01FS100	AKG04FS100ZEX			9.7-1.8	2.4							
		<b>FS1C0</b>			SGEA01FS1C0	AKG04FS1C0ZEX			12	3							
		<b>FS1M0</b>			SGEA01FS1M0	AKG04FS1MOZEX			13.9-1.8	3							
		<b>FSZBR</b>			SGEA01FSZBR	AKG04FSZBRZEX			9.8-1.5	2							
		<b>FS200</b>	SGEA21M03048FG	EGE 2	SGEA21FS200	AKG04FS200ZEX	19	6	17.2-1.8	3.5/4	94						
		<b>FSZFR</b>			SGEA21FSZFR	AKG04FSZFRZEX			16.9	3							
	90	24x50			<b>FS05M</b>	SGEA01M04048FG			EGE 0	SGEA01FS05M		AKG05FS05MZEX	24	8	6	2	80
					<b>FS05C</b>					SGEA01FS05C		AKG05FS05CZEX			7	2	
<b>FS100</b>			SGEA01FS100	AKG05FS100ZEX	9.7-1.8		2.4										
<b>FS1C0</b>			SGEA01FS1C0	AKG05FS1C0ZEX	12		3										
<b>FS1M0</b>			SGEA01FS1M0	AKG05FS1MOZEX	13.9-1.8		3										
<b>FSZBR</b>			SGEA01FSZBR	AKG05FSZBRZEX	9.8-1.5		2										
	<b>FS200</b>	SGEA21M04048FG	EGE 2	SGEA21FS200	AKG05FS200ZEX	24	8	17.2-1.8	3.5/4	94							
	<b>FSZFR</b>			SGEA21FSZFR	AKG05FSZFRZEX			16.9	3								
100 112	28x60	<b>FS100</b>	SGEA21M05055FG	EGE 2	SGEA21FS100	AKG07FS100ZEX	28	8	9.7-1.8	2.4	94						
		<b>FS1C0</b>			SGEA21FS1C0	AKG07FS1C0ZEX			12	3							
		<b>FS1M0</b>			SGEA21FS1M0	AKG07FS1MOZEX			13.9-1.8	3							
		<b>FSZBR</b>			SGEA21FSZBR	AKG07FSZBRZEX			25.2-1.5	5							
		<b>FS200</b>			SGEA21FS200	AKG07FS200ZEX			17.2-1.8	3.2/4							
		<b>FSZFR</b>			SGEA21FSZFR	AKG07FSZFRZEX			16.9-1.5	3							
		<b>FS25T</b>			SGEA21FS300	AKG07FS300ZEX			22.22-1.8	4							
		<b>FS300</b>			SGEA21FS300	AKG07FS300ZEX			22.22-1.8	4							
		<b>FS3M0</b>			SGEA21FS300	AKG07FS300ZEX			22.22-1.8	4							
		<b>FS3T0</b>			SGEA21FS300	AKG07FS300ZEX			22.22-1.8	4							

## IEC Motors B3/5 - standard gear pump

IEC - Electric motors Motor size	Shaft end [Ø x L]	Pump identification code	Components								
			Motor half-coupling code	Spider code	Pump half-coupling code	Complete coupling kit code	ØM.	Key M.	ØP.	Key P.	Tot. L.
132	38x80	<b>FS100</b>	SGEA31M06077FG	EGE 3	SGEA31FS100	AKG11FS100ZEX	38	10	9.7-1.8	2.4	135
		<b>FS1C0</b>			SGEA31FS1C0	AKG11FS1C0ZEX			12	3	
		<b>FS1M0</b>			SGEA31FS1M0	AKG11FS1M0ZEX			13.9-1.8	3	
		<b>FSZGR</b>			SGEA31FSZGR	AKG11FSZGRZEX			25.2-1.5	5	
		<b>FS200</b>			SGEA31FS200	AKG11FS200ZEX			17.2-1.8	3.2/4	
		<b>FSZFR</b>			SGEA31FSZFR	AKG11FSZFRZEX			16.9-1.5	3	
		<b>FS25T</b>			SGEA31FS25T	AKG11FS25TZEX			22.22-1.8	4	
		<b>FS300</b>			SGEA31FS300	AKG11FS300ZEX			22.22-1.8	4	
		<b>FS3M0</b>			SGEA31FS3M0	AKG11FS3M0ZEX			22.22-1.8	4	
		<b>FS3T0</b>			SGEA31FS3T0	AKG11FS3T0ZEX			22.22-1.8	4	
		<b>FS35M</b>			SGEA31FS35M	AKG11FS35MZEX			25.6-1.5	4.76/5	
		<b>FS350</b>			SGEA31FS350	AKG11FS350ZEX			25.6-1.5	4.76/5	
160	42x110	<b>FSZGR</b>	SGEA51M07109FG	EGE 5	SGEA51FSZGR	AKG12FSZGRZEX	42	12	25.2-1.5	5	167
		<b>FS200</b>			SGEA51FS200	AKG12FS200ZEX			17.2-1.8	3.2/4	
		<b>FSZFR</b>			SGEA51FSZFR	AKG12FSZFRZEX			16.9-1.5	3	
		<b>FS25T</b>			SGEA51FS25T	AKG12FS25TZEX			22.22-1.8	4	
		<b>FS300</b>			SGEA51FS300	AKG12FS300ZEX			22.22-1.8	4	
		<b>FS3M0</b>			SGEA51FS3M0	AKG12FS3M0ZEX			22.22-1.8	4	
		<b>FS3T0</b>			SGEA51FS3T0	AKG12FS3T0ZEX			22.22-1.8	4	
		<b>FS35M</b>			SGEA51FS35M	AKG12FS35MZEX			25.6-1.5	4.76/5	
		<b>FS350</b>			SGEA51FS350	AKG12FS350ZEX			25.6-1.5	4.76/5	
		180			48x110	<b>FSZGR</b>			SGEA51M08109FG	EGE 5	
<b>FS200</b>	SGEA51FS200		AKG13FS200ZEX	17.2-1.8		3.2/4					
<b>FSZFR</b>	SGEA51FSZFR		AKG13FSZFRZEX	16.9-1.5		3					
<b>FS25T</b>	SGEA51FS25T		AKG13FS25TZEX	22.22-1.8		4					
<b>FS300</b>	SGEA51FS300		AKG13FS300ZEX	22.22-1.8		4					
<b>FS3M0</b>	SGEA51FS3M0		AKG13FS3M0ZEX	22.22-1.8		4					
<b>FS3T0</b>	SGEA51FS3T0		AKG13FS3T0ZEX	22.22-1.8		4					
<b>FS35M</b>	SGEA51FS35M		AKG13FS35MZEX	25.6-1.5		4.76/5					
<b>FS350</b>	SGEA51FS350		AKG13FS350ZEX	25.6-1.5		4.76/5					
200	55x110		<b>FS200</b>	SGEA51M09109FG		EGE 5	SGEA51FS200	AKG16FS200ZEX			55
		<b>FS300</b>	SGEA51FS300		AKG16FS300ZEX		22.22-1.8	4			
		<b>FS3M0</b>	SGEA51FS3M0		AKG16FS3M0ZEX		22.22-1.8	4			
		<b>FS35M</b>	SGEA51FS35M		AKG16FS35MZEX		25.6-1.5	4.76/5			
		<b>FS350</b>	SGEA51FS350		AKG16FS350ZEX		25.6-1.5	4.76/5			
		<b>FSZFR</b>	SGEA51FSZFR		AKG16FSZFRZEX		16.9-1.5	3			
		<b>FSZGR</b>	SGEA51FSZGR		AKG16FSZGRZEX		25.2-1.5	5			
225	60x140	<b>FS300</b>	SGEG60M10110	EGE 6	SGEG60FS300	AKG18FS300ZEX	60	18	22.22-1.8	4	167
		<b>FS3M0</b>			SGEG60FS3M0	AKG18FS3M0ZEX			22.22-1.8	4	
		<b>FS35M</b>			SGEG60FS35M	AKG18FS35MZEX			25.6-1.5	4.76/5	
		<b>FS350</b>			SGEG60FS350	AKG18FS350ZEX			25.6-1.5	4.76/5	
		<b>FSZGR</b>			SGEG60FSZGR	AKG18FSZGRZEX			25.2-1.5	5	
250	65x140	<b>FS300</b>	SGEG60M11140	EGE 6	SGEG60FS300	AKG20FS300ZEX	65	18	22.22-1.8	4	168
		<b>FS3M0</b>			SGEG60FS3M0	AKG20FS3M0ZEX			22.22-1.8	4	
		<b>FS35M</b>			SGEG60FS35M	AKG20FS35MZEX			25.6-1.5	4.76/5	
		<b>FS350</b>			SGEG60FS350	AKG20FS350ZEX			25.6-1.5	4.76/5	
		<b>FSZGR</b>			SGEG60FSZGR	AKG20FSZGRZEX			25.2-1.5	5	
280	75x140	<b>FS300</b>	SGEG80M12140	EGE 8	SGEG80FS300	AKG22FS300ZEX	75	20	22.22-1.8	4	198
		<b>FS3M0</b>			SGEG80FS3M0	AKG22FS3M0ZEX			22.22-1.8	4	
		<b>FS35M</b>			SGEG80FS35M	AKG22FS35MZEX			25.6-1.5	4.76/5	
		<b>FS350</b>			SGEG80FS350	AKG22FS350ZEX			25.6-1.5	4.76/5	
		<b>FSZGR</b>			SGEG80FSZGR	AKG22FSZGRZEX			25.2-1.5	5	
315	80x170	<b>FS300</b>	SGEG80M13170	EGE 8	SGEG80FS300	AKG26FS300ZEX	80	22	22.22-1.8	4	228
		<b>FS3M0</b>			SGEG80FS3M0	AKG26FS3M0ZEX			22.22-1.8	4	
		<b>FS35M</b>			SGEG80FS35M	AKG26FS35MZEX			25.6-1.5	4.76/5	
		<b>FS350</b>			SGEG80FS350	AKG26FS350ZEX			25.6-1.5	4.76/5	
		<b>FSZGR</b>			SGEG80FSZGR	AKG26FSZGRZEX			25.2-1.5	5	

## IEC Electric motors B14 mounting

IEC - Electric motors		Pump identification code	Components															
Motor size	Shaft end [Ø x L]		Motor half-coupling code	Spider code	Pump half-coupling code	Complete coupling kit code	ØM.	Key M.	ØP.	Key P.	Tot. L.							
63	11x23	<b>FS05M</b>	SGEA01M01019FG	EGE0	SGEA00FS05M	AKG43FS05MZEX	11	4	6	2	50							
		<b>FS05C</b>			SGEA01FS05C	AKG43FS05CZEX			7	2								
		<b>FS100</b>			SGEA01FS100	AKG43FS100ZEX			9.7-1:8	2.4								
		<b>FS1C0</b>			SGEA01FS1C0	AKG43FS1C0ZEX			12	3								
		<b>FS1M0</b>			SGEA01FS1M0	AKG43FS1M0ZEX			13.9-1:8	3								
		<b>FSZBR</b>			SGEA01FSZBR	AKG43FSZBRZEX			9.8-1:5	2								
71	14x30	<b>FS05M</b>	SGEA01M02028FG	EGE 0	SGEA01FS05M	AKG44FS05MZEX	14	5	6	2	59							
		<b>FS05C</b>			SGEA01FS05C	AKG44FS05CZEX			7	2								
		<b>FS100</b>			SGEA01FS100	AKG44FS100ZEX			9.7-1:8	2.4								
		<b>FS1C0</b>			SGEA01FS1C0	AKG44FS1C0ZEX			12	3								
		<b>FS1M0</b>			SGEA01FS1M0	AKG44FS1M0ZEX			13.9-1:8	3								
		<b>FSZBR</b>			SGEA01FSZBR	AKG44FSZBRZEX			9.8-1:5	2								
80	19x40	<b>FS05M</b>	SGEA01M03048FG	EGE 0	SGEA01FS05M	AKG45FS05MZEX	19	6	6	2	79							
		<b>FS05C</b>			SGEA01FS05C	AKG45FS05CZEX			7	2								
		<b>FS100</b>			SGEA01FS100	AKG45FS100ZEX			9.7-1:8	2.4								
		<b>FS1C0</b>			SGEA01FS1C0	AKG45FS1C0ZEX			12	3								
		<b>FS1M0</b>			SGEA01FS1M0	AKG45FS1M0ZEX			13.9-1:8	3								
		<b>FSZBR</b>			SGEA01FSZBR	AKG45FSZBRZEX			9.8-1:5	2								
			<b>FS200</b>	SGEA21M03048FG	EGE 2	SGEA21FS200	AKG45FS200ZEX	19	6	17.2-1:8	3.2/4	87						
			<b>FSZFR</b>			SGEA21FSZFR	AKG45FSZFRZEX			16.9	3							
90	24x50	<b>FS05M</b>	SGEA01M04048FG	EGE 0	SGEA01FS05M	AKG46FS05MZEX	24	8	6	2	79							
		<b>FS05C</b>			SGEA01FS05C	AKG46FS05CZEX			7	2								
		<b>FS100</b>			SGEA01FS100	AKG46FS100ZEX			9.7-1:8	2.4								
		<b>FS1C0</b>			SGEA01FS1C0	AKG46FS1C0ZEX			12	3								
		<b>FS1M0</b>			SGEA01FS1M0	AKG46FS1M0ZEX			13.9-1:8	3								
		<b>FSZBR</b>			SGEA01FSZBR	AKG46FSZBRZEX			9.8-1:5	2								
			<b>FS200</b>	SGEA21M04048FG	EGE 2	SGEA21FS200	AKG46FS200ZEX	24	8	17.2-1:8	3.5/4	87						
			<b>FSZFR</b>			SGEA21FSZFR	AKG46FSZFRZEX			16.9	3							
100 112	28x60	<b>FS05M</b>	SGEA21M05055FG	EGE 2	SGEA21FS05M	AKG48FS05MZEX	28	8	6	2	94							
		<b>FS05C</b>			SGEA21FS05C	AKG48FS05CZEX			7	2								
		<b>FS100</b>			SGEA21FS100	AKG48FS100ZEX			9.7-1:8	2.4								
		<b>FS1C0</b>			SGEA21FS1C0	AKG48FS1C0ZEX			12	3								
		<b>FS1M0</b>			SGEA21FS1M0	AKG48FS1M0ZEX			13.9-1:8	3								
		<b>FSZBR</b>			SGEA21FSZBR	AKG48FSZBRZEX			9.8-1:5	2								
						<b>FS200</b>						SGEA21FS200	AKG48FS200ZEX			17.2-1:8	3.5/4	
						<b>FSZFR</b>										SGEA21FSZFR	AKG48FSZFRZEX	



# SGDR series

Curved-tooth steel gear coupling



## Technical data

### Couplings - Curved-tooth steel gear coupling

#### Gear couplings materials

Couplings: Steel C40

Sleeve: Polyamide PA66 Blue color

#### Compatibility with fluids

- Mineral oils types HH-HL-HM-HR-HV, to ISO 6743/4 standard
- Water based emulsions types HFAE-HFAS, to ISO 6743/4 standard
- Water glycol type HFC, to ISO 6743/4 standard: ask for anodized version

#### Special Applications

Any applications not covered by the normal indications contained in this catalogue must be evaluated and approved by MP Filtri Technical and Sales Department

#### Temperature

Sleeve Polyamide PA66: from -20 °C to +90 °C

#### Note

For temperatures outside this range, contact MP Filtri Technical and Sales Department



## IEC Electric motors

IEC Electric Motors size	C40 Carbon Steel				
	Shaft ISO 3019-2	Shaft ANSI B92. 1A 1976	Shaft DIN 5480	Shaft DIN 5481	Shaft DIN 5482
IEC 80 Ø200 - Ø19x40	●	●	●	●	●
IEC 90 Ø200 - Ø24x50	●	●	●	●	●
IEC 100 Ø250 - Ø28x60	●	●	●	●	●
IEC 112 Ø250 - Ø28x60	●	●	●	●	●
IEC 132 Ø300 - Ø38x80	●	●	●	●	●
IEC 160 Ø350 - Ø42x110	●	●	●	●	●
IEC 180 Ø350 - Ø48x110	●	●	●	●	●
IEC 200 Ø400 - Ø55x110	●	●	●	●	●

**BLANK HALF-COUPLING**

<b>Pump half-coupling</b> <b>SGDR</b>	Configuration example: <b>SGDR</b> <b>28</b> <b>PB</b>
<b>Size</b> 28 42 55	
<b>Without bore</b> <b>PB</b>	

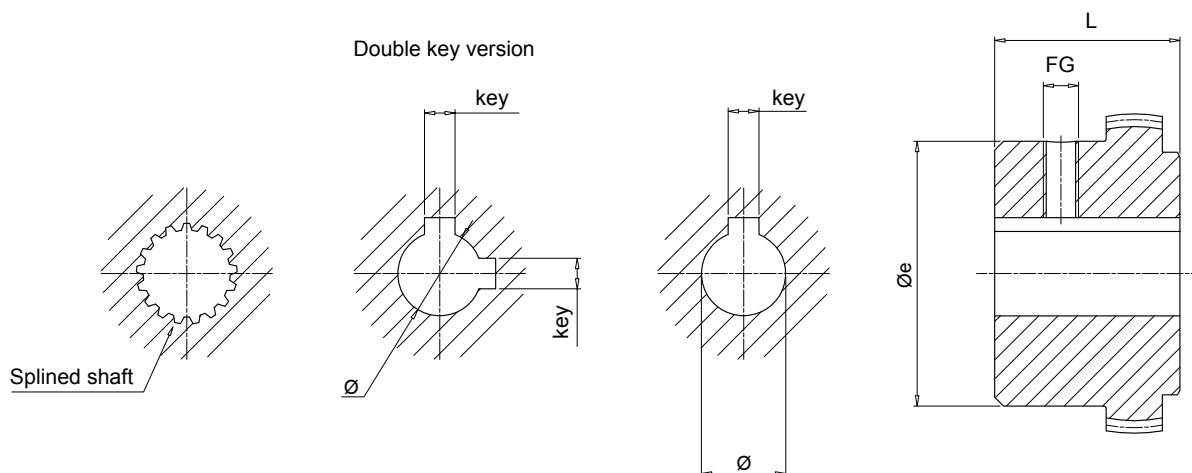
**HALF-COUPLING FOR PARALLEL SHAFT**

<b>Pump half-coupling</b> <b>SGDR</b>	Configuration example: <b>SGDR</b> <b>28</b> <b>G02</b> <b>040</b> <b>2E</b>
<b>Size</b> 28 42 55	
<b>Bore size code</b> <b>G02</b> See page 18	
<b>Length</b> <b>040</b> See page 50	
<b>Double key way (available combinations only)</b> <b>2E</b> See page 18 (Parallel shaft - double key only)	

**HALF-COUPLING FOR SPLINED SHAFT**

<b>Pump half-coupling</b> <b>SGDR</b>	Configuration example: <b>SGDR</b> <b>28</b> <b>PD02</b> <b>040</b>
<b>Size</b> 28 42 55	
<b>Bore size code</b> <b>PD02</b> See page 19	
<b>Length</b> <b>040</b> See page 50	





### Notes:

- Screw included
- Double key version only pump side

### Motor half-coupling

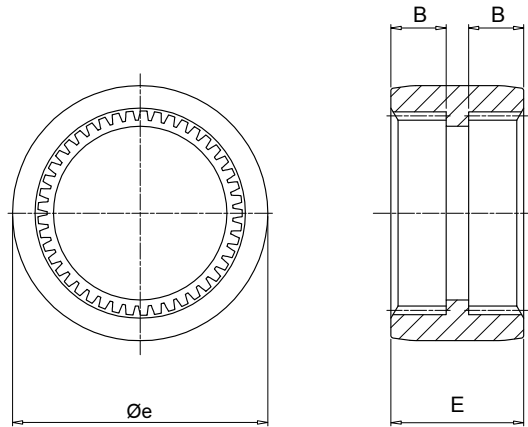
IEC - Electric motors		Half-coupling code	Dimensions [mm]					Weight [kg]
Motor size	Shaft end [Ø x L]		Øe	L	Ø	key	Fg	
80	19x40	<b>SGDR28M03040</b>	45	40	19	6	M6	0.5
90	24x50	<b>SGDR28M04040</b>	45	40	24	8	M6	0.5
100-112	28x60	<b>SGDR28M05040</b>	45	40	28	8	M6	0.5
132	38x80	<b>SGDR42M06042</b>	60	42	38	10	M8	1.0
160	42x110	<b>SGDR42M07042</b>	60	42	42	12	M8	1.0
180	48x110	<b>SGDR55M08060</b>	84	60	48	14	M8	2.5
200	55x110	<b>SGDR55M09060</b>	84	60	55	16	M8	2.5

### Pump half-couplings

Half-coupling code	Dimensions [mm]		Weight [kg]
	Øe	L	
<b>SGDR28***</b>	45	40	0.5
<b>SGDR42***</b>	60	42	1.0
<b>SGDR55***</b>	84	60	2.5

Complete the half-coupling designation with the pump interface code and the length.

Example: **SGDR280PD02050** (see page 19).



### Sleeve

Code	Half-coupling code	Dimensions [mm]			Nominal torque [Nm]	Maximum torque [Nm]	Weight [kg]
		Øe	E	B			
<b>EGR066PA</b>	SGDR28	66	38	16	30	90	0.050
<b>EGR090PA</b>	SGDR42	90	52	22	120	360	0.150
<b>EGR125PA</b>	SGDR55	125	65	27	200	600	0.371

**Bell-Housing are used as connecting elements between IEC motors and wide range of hydraulic pumps available on the international market.**

**Made in Aluminium die cast, they cover a range from IEC motor size 63 to IEC motor size 355.**

**They are available in six different styles:**

- LMG series for gear pumps
- LMC series monobloc bell-housing
- LDC series made in 2 pcs fixed by screws
- LMS series able to reduce the noise
- LDS series made in 2 pcs fixed by screws
- MULTI-COMPONENTS made by 3 pcs for IEC motors from sizes 132 up to size 225,  
made by 2 pcs for IEC motors from size 250 up to size 355

**For the Bell-Housing selection you require please see our on-line software at [www.mpfiltri.com](http://www.mpfiltri.com).**

# Bell-Housing



GENERAL INFORMATION	page 54
LMG	59
LMC - LDC	71
LMS - LDS	79
MULTI-COMPONENTS	87

Noise is a particularly pervasive problem so much so that there have been statutory regulations in place now for some years, designed to limit harmful occupational exposure.

Many of the machines used in industry today are equipped with oil-hydraulic systems, which happen to be a major source of noise.

## 1 THEORY AND DEFINITION OF NOISE

From a health and hygiene standpoint, noise can be defined as an unpleasant and undesirable sound, or an unpleasant and annoying or intolerable auditory sensation (noise being any sound phenomena that may be accompanied by sensations of disturbance and pain). By definition, acoustic phenomena are oscillatory in character, propagated in a flexible medium and causing pressure variations at the points, and the areas adjacent to those points, through which they pass.

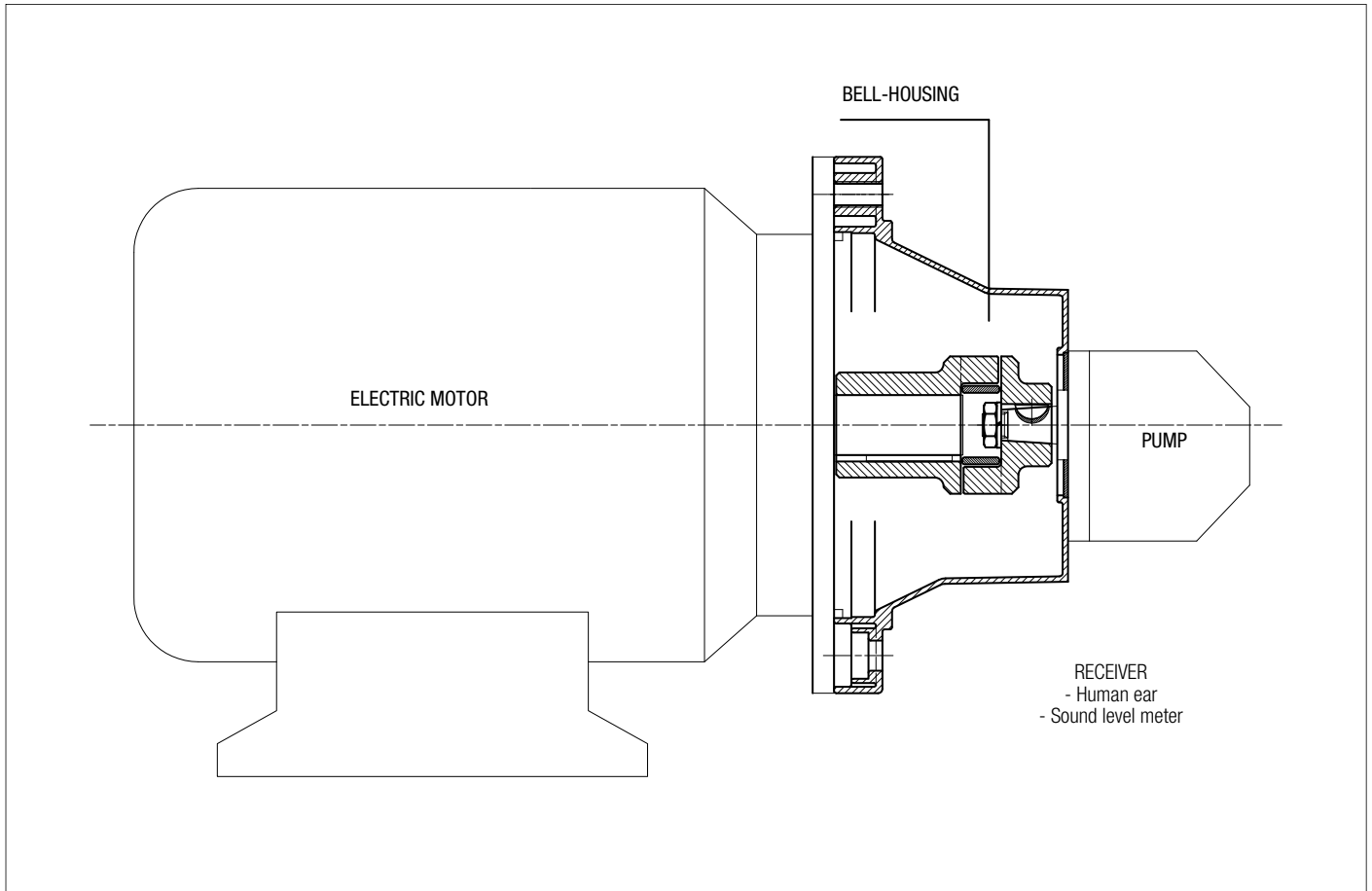
## 2 SOUND

Technically considered, certain elements must be present simultaneously for acoustic phenomena to occur:

- Sound source
- Transmission medium
- Receive

The electric motor and the pump, together with the drive coupling, are the SOURCE OF THE NOISE. The Bell-housing is the noise transmission MEDIUM. Depending on whether the monobloc bell-housing is a rigid or low noise type, there will be variations in the flexible properties of the transmission medium. The acoustic phenomena are dissimilar in the two cases, given the differences in pressure variation and particle displacement.

## MOTOR AND PUMP UNIT



Low noise bell-housing will help to attenuate the transmission of vibrations and the emission of noise generated by the system.

Self-evidently, however, the mere adoption of a low noise bell-housing will achieve little unless the motor and pump are correctly installed on the machine or on the tank of the hydraulic power unit.

Should be followed in order to achieve best possible results and correct installation:

## ① MOTOR AND PUMP UNIT MOUNTED HORIZONTALLY ON OIL TANK LID

- The suction pipe attached to the pump must be rigid and fitted using a resilient bulkhead flange of the FTA series, which helps to cushion the vibrations propagated between the pipe and the tank lid.  
If pipes need to be bent, the radius of curvature must be at least 3 times the pipe diameter.  
Do not use elbow fittings, as these will significantly increase pressure losses.
- The pressure pipeline of the pump must be flexible and long enough to include bends with the minimum radius of curvature recommended by the manufacturer for the specified operating pressure.
- The return pipeline running from the service to the filter must be flexible.  
Where oil is returned directly to the tank of the hydraulic power unit through a rigid pipe, it is advisable to use a resilient bulkhead flange of the FTR series, which helps to cushion the vibrations propagated between the pipe and the tank lid.
- Anti-vibration devices (resilient mounts or damping rods) must be located under the feet of the electric motor or the PDM foot brackets, depending on the mounting position of the motor.
- The lids of hydraulic oil tanks must be sturdy enough to support the load they carry.

## ② MOTOR AND PUMP UNIT MOUNTED HORIZONTALLY ON MACHINE

- As a matter of good practice, the oil tank and motor-pump unit should be mounted on a single supporting frame of strength sufficient to support the load.
- If the hydraulic system is fitted with a side-mounted filter, the suction pipeline to the pump must be flexible and long enough to include bends with the minimum radius of curvature recommended by the manufacturer.
- If the suction filter is not side mounted, the pipeline should be rigid and installed in conjunction with a compensating coupling.
- The pressure pipeline of the pump must be flexible, and long enough to include bends with the minimum radius of curvature recommended by the manufacturer for the specified operating pressure.
- The return pipeline running from the service to the filter must be flexible.  
Where oil is returned directly to the tank of the hydraulic power unit through a rigid pipe, it is advisable to use a resilient bulkhead flange of the FTR series, which helps to cushion the vibrations propagated between the pipe and the tank lid.
- Anti-vibration devices (resilient mounts or damping rods) must be located under the feet of the electric motor or the PDM foot brackets, depending on the mounting position of the motor.

## FINAL CONSIDERATION

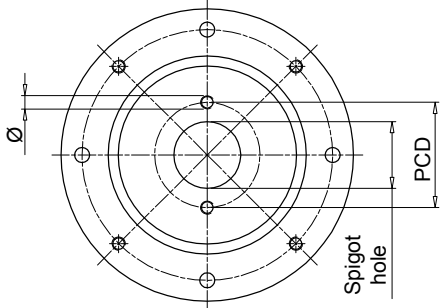
For best results, in any event, the motor-and-pump unit should be incorporated into the hydraulic system in such a way that no one component is rigidly associated with another, resulting in the propagation of vibration, and consequently noise.

## RECOMMENDED TIGHTENING TORQUES FOR MOTOR/PUMP FIXING ON THE BELL-HOUSING

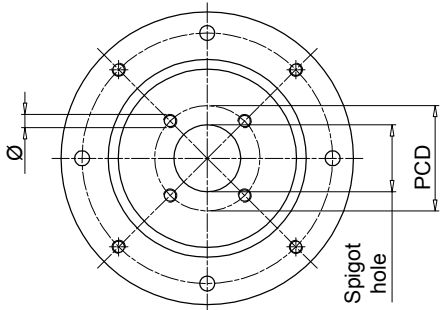
M6	10 N·m	M16	205 N·m
M8	15 N·m	M18	280 N·m
M10	50 N·m	M20	400 N·m
M12	84 N·m	M22	530 N·m
M14	135 N·m	M24	690 N·m

**Note:** The above guidelines are indicative only and subordinate to the solutions adopted ultimately by design engineers.

### Valid configuration for bell-housing up to Ø400

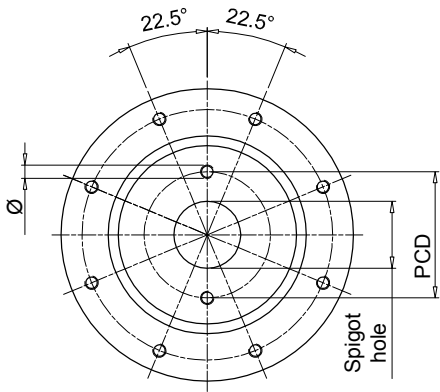


Bell-housing with nr. 2 holes at pump interface, aligned with through holes at motor interface.

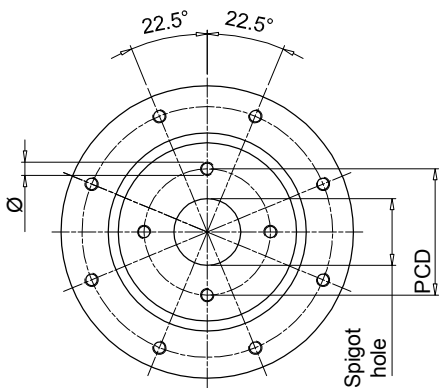


Bell-housing with nr. 4 holes at pump interface, aligned with thread holes at motor interface.

### Valid configuration for bell-housing from Ø450 to Ø660



Bell-housing with nr. 2 holes at pump interface + 22.5° compared to through holes at motor interface.



Bell-housing with nr. 4 holes at pump interface + 22.5° compared to thread holes at motor interface.

Spigot hole [mm]	PCD	Ø	Nr. holes	Code	Type
<b>40</b>	72.00	M8	2	<b>191</b>	-
<b>45.2</b>	88.90	M8	4	<b>096</b>	-
	71.80	M8	4	<b>120</b>	-
<b>50</b>	80.00	M8	2	<b>052</b>	ISO3019-2-50-B2
	93.00	M10	2	<b>053</b>	-
	60.00	M5	4	<b>280</b>	-
	63.00	Ø7	4	<b>057</b>	-
	93.00	M8	2	<b>287</b>	-
<b>50.8</b>	82.50	M8	2	<b>050</b>	SAE A-A 50-2
<b>56</b>	76.00	M6	4	<b>234</b>	-
<b>57.15</b>	106.40	Ø11	2	<b>212</b>	-
<b>60</b>	74.00	M10	4	<b>098</b>	-
	98.50	M6	4	<b>147</b>	-
	75.00	M6	4	<b>227</b>	-
<b>62.7</b>	157.20	M12	4	<b>231</b>	-
<b>63</b>	100.00	M8	2	<b>042</b>	ISO3019-2-63-B2
	125.00	M6	4	<b>043</b>	-
	85.00	M8	4	<b>044</b>	-
	80.00	M8	2	<b>051</b>	-
	80.00	Ø8.5	4	<b>058</b>	-
	100.00	M10	2	<b>062</b>	-
	82.00	M8	4	<b>168</b>	ISO3019-2-63-B4
	90.00	M8	4	<b>271</b>	-
<b>65</b>	90.00	M8	4	<b>073</b>	-
<b>70</b>	84.00	Ø7	4	<b>289</b>	-
<b>71.8</b>	88.90	M10	4	<b>047</b>	-
<b>75</b>	102.00	M10	4	<b>139</b>	-
<b>80</b>	100.00	M8	4	<b>024</b>	ISO3019-2-80-B4
	103.20	M8	2	<b>045</b>	ISO3019-2-80-B2
	100.00	Ø11	4	<b>059</b>	-
	100.00	M10	2	<b>061</b>	-
	110.00	M10	2	<b>063</b>	-
	140.00	M10	2	<b>064</b>	-
	115.00	M10	2	<b>065</b>	-
	100.00	M10	4	<b>067</b>	-
	106.40	M10	2	<b>083</b>	-
	130.00	M8	4	<b>087</b>	-
	100.00	Ø8.5	4	<b>093</b>	-
	113.00	M12	4	<b>104</b>	-
95.00	M8	4	<b>169</b>	-	
103.00	M8	4	<b>242</b>	-	
110.00	M10	4	<b>272</b>	-	
<b>82.55</b>	106.40	M10	2	<b>060</b>	SAE A 82-2
	105.00	M10	4	<b>097</b>	-
	106.40	M8	2	<b>254</b>	-
	146.00	M12	2	<b>260</b>	-
	110.00	M10	2	<b>284</b>	-
<b>85</b>	106.40	M10	2	<b>066</b>	-
<b>90</b>	112.00	M8	2	<b>134</b>	-
	105.00	M8	4	<b>156</b>	-
	118.00	Ø9	2	<b>163</b>	-
	112.00	Ø9	2	<b>164</b>	-
<b>92</b>	140.00	M8	4	<b>088</b>	-
	145.00	M10	4	<b>089</b>	-

"-": configuration out of ISO & SAE Standard



Spigot hole [mm]	PCD	Ø	Nr. holes	Code	Type
<b>95</b>	115.00	M8	4	<b>137</b>	-
	127.00	M10	4	<b>131</b>	-
<b>98.4</b>	125.00	Ø11	4	<b>128</b>	-
	125.00	M10	2	<b>023</b>	ISO3019-2-100-B4
<b>100</b>	125.00	M10	4	<b>025</b>	ISO3019-2-100-B2
	125.00	Ø11	4	<b>031</b>	-
	125.00	M5	4	<b>032</b>	-
	190.00	Ø15	4	<b>038</b>	-
	125.00	Ø13	4	<b>041</b>	-
	125.00	M12	2	<b>071</b>	-
	140.00	M12	2	<b>072</b>	-
	146.00	M12	2	<b>075</b>	-
	126.00	M10	2	<b>106</b>	-
	120.00	M8	4	<b>122</b>	-
	160.00	M10	4	<b>141</b>	-
	150.00	M10	4	<b>150</b>	-
	<b>101.6</b>	161.50	M12	4	<b>029</b>
146.00		M12	2	<b>070</b>	SAE B 101-2
127.00		M12	4	<b>125</b>	-
146.00		M10	2	<b>159</b>	-
<b>105</b>	127.00	M10	4	<b>224</b>	-
	146.00	M12	2	<b>076</b>	-
<b>110</b>	175.00	M10	4	<b>110</b>	-
	130.00	M8	4	<b>154</b>	-
	200.00	M10	4	<b>202</b>	-
	135.00	M10	4	<b>219</b>	-
	145.00	M12	4	<b>273</b>	-
<b>112</b>	140.00	M12	2	<b>074</b>	-
	140.00	M10	2	<b>138</b>	-
	130.00	M10	4	<b>264</b>	-
<b>115</b>	180.00	M12	4	<b>198</b>	-
<b>116</b>	160.00	M14	2	<b>084</b>	-
<b>120</b>	210.00	M16	2	<b>094</b>	-
	145.00	M10	4	<b>155</b>	-
	150.00	Ø13	4	<b>267</b>	-
<b>125</b>	160.00	M12	4	<b>026</b>	ISO3019-2-125-B4
	160.00	Ø13	4	<b>033</b>	-
	160.00	M12	2	<b>079</b>	-
	180.00	M16	2	<b>082</b>	ISO3019-2-125-B2
	155.00	M10	4	<b>102</b>	-
	160.00	Ø17	4	<b>113</b>	-
	200.00	M12	4	<b>114</b>	-
	181.20	M16	2	<b>136</b>	-
	200.00	M16	4	<b>200</b>	-
	180.00	Ø20	4	<b>215</b>	-
	170.00	Ø18	4	<b>237</b>	-
<b>127</b>	161.50	M12	4	<b>021</b>	-
	181.20	M16	2	<b>080</b>	SAE C 127-2
	161.50	M14	4	<b>140</b>	-
<b>130</b>	165.00	Ø11	4	<b>054</b>	-
	150.00	M12	4	<b>068</b>	-
	181.20	M16	2	<b>085</b>	-
	165.00	M12	4	<b>124</b>	-
	165.00	M14	4	<b>135</b>	-

"-": configuration out of ISO & SAE Standard

Spigot hole [mm]	PCD	Ø	Nr. holes	Code	Type
<b>130</b>	165.00	M10	4	<b>253</b>	-
<b>135</b>	160.00	M10	4	<b>151</b>	-
	175.40	M12	4	<b>220</b>	-
<b>140</b>	180.00	M14	4	<b>077</b>	ISO3019-2-140-B4
	180.00	M12	2	<b>081</b>	-
	165.00	M10	4	<b>157</b>	-
	200.00	M16	4	<b>176</b>	ISO3019-2-140-B2
	165.00	Ø11	4	<b>223</b>	-
	180.00	M16	2	<b>232</b>	-
<b>150</b>	185.00	M16	4	<b>069</b>	-
	228.60	M16	4	<b>022</b>	-
<b>152.4</b>	228.60	M18	2	<b>090</b>	-
	228.60	M18	4	<b>108</b>	-
	217.50	Ø17	4	<b>118</b>	-
	228.60	M20	2	<b>166</b>	SAE D 152-2
	228.60	M20	4	<b>192</b>	SAE D 152 -4
	190.50	M8	4	<b>207</b>	-
<b>160</b>	200.00	M16	4	<b>027</b>	ISO3019 - 2 -160 B4
	200.00	Ø17	4	<b>035</b>	-
	200.00	M16	2	<b>091</b>	-
	224.00	M20	2	<b>092</b>	ISO3019 - 2 -160 B2
	200.00	M12	2	<b>107</b>	-
	230.00	M22	4	<b>111</b>	-
	185.00	M12	4	<b>152</b>	-
	224.00	M16	4	<b>184</b>	-
230.00	Ø22	4	<b>228</b>	-	
<b>162</b>	188.00	M12	4	<b>263</b>	-
<b>165.1</b>	317.35	M20	4	<b>143</b>	SAE E 165 - 4
	317.35	M24	2	<b>145</b>	SAE E 165 - 2
	229.00	M20	4	<b>201</b>	-
<b>175</b>	317.35	M18	4	<b>204</b>	-
	200.00	M12	4	<b>153</b>	-
<b>177.8</b>	230.00	M18	2	<b>185</b>	-
	350.00	M24	4	<b>146</b>	SAE F 177 - 4
<b>180</b>	216.00	M12	4	<b>222</b>	-
	350.00	M24	2	<b>203</b>	SAE F 177 - 2
	216.00	Ø13	4	<b>055</b>	-
	216.00	M16	4	<b>078</b>	-
	224.00	M16	4	<b>112</b>	ISO3019 - 2 -180 B4
	216.00	M12	4	<b>132</b>	-
<b>200</b>	215.00	M22	4	<b>148</b>	-
	230.00	M22	4	<b>226</b>	-
	250.00	M20	4	<b>028</b>	ISO3019 - 2 -200 B4
	250.00	Ø22	4	<b>095</b>	-
	280.00	M24	2	<b>117</b>	-
<b>203.2</b>	230.50	M12	4	<b>214</b>	-
	254.00	M14	4	<b>210</b>	-
<b>205</b>	240.00	M16	4	<b>133</b>	-
<b>224</b>	280.00	M20	4	<b>144</b>	ISO3019 - 2 -224 B4
	280.00	Ø22	4	<b>205</b>	-
<b>250</b>	310.00	M24	4	<b>238</b>	-
	315.00	M20	4	<b>282</b>	ISO3019 - 2 -250 B4
<b>275</b>	355.00	M16	4	<b>233</b>	-
	355.00	Ø18	4	<b>281</b>	-

"-": configuration out of ISO & SAE Standard



# LMG series

IEC electric motor range from size 63 up to size 225



## Technical data

### Bell-Housing - IEC electric motor range from size 63 up to size 225

#### Materials

- Bell-housing: Pressure die casting Aluminium
- Center ring: Galvanized Steel
- Gasket: Special paper - Guarnital

#### Compatibility with fluids

Modular bell-housing components compatible for use with:

- Mineral oils types HH-HL-HM-HR-HV, to ISO 6743/4 standard
- Water based emulsions types HFAE-HFAS, to ISO 6743/4 standard
- Water glycol type HFC, to ISO 6743/4 standard: ask for anodized version

#### Special Applications

Any applications not covered by the normal indications contained in this catalogue must be evaluated and approved by MP Filtri Technical and Sales Department

#### Temperature

From -30 °C to +80 °C

#### Note

For temperatures outside this range, contact MP Filtri Technical and Sales Department



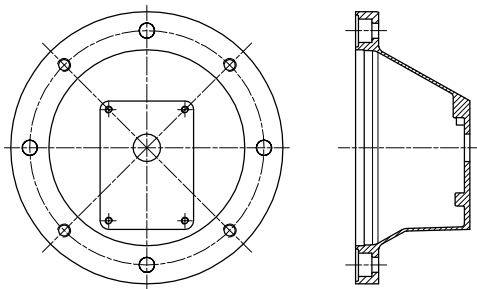
## IEC Electric motors

Bell-Housing size	European standard size						German standard size			IEC Motors size
	0.5	1	2	3	3.5	4	ZB	ZF	ZG	
LMG140	●	●	●				●			IEC 63 Ø140 - Ø11x23
LMG160	●	●	●				●			IEC 71 Ø160 - Ø14x30
LMG200	●	●	●	●			●	●		IEC 80 Ø200 - Ø19x40
LMG200	●	●	●	●			●	●		IEC 90 Ø200 - Ø24x50
LMG250		●	●	●	●		●	●		IEC 110 Ø250 - Ø28x60
LMG250		●	●	●	●		●	●		IEC 112 Ø250 - Ø28x60
LMG300		●	●	●	●	●	●	●	●	IEC 132 Ø300 - Ø38x80
LMG351			●	●	●	●	●	●	●	IEC 160 Ø350 - Ø42x110
LMG351			●	●	●	●	●	●	●	IEC 180 Ø350 - Ø48x110
LMG400			●	●	●	●	●	●	●	IEC 200 Ø400 - Ø55x110
LMG450			●	●	●	●	●	●	●	IEC 225 Ø450 - Ø60x140

**Note:** For specific information see pages 66 ÷ 68 "Table of Combination"

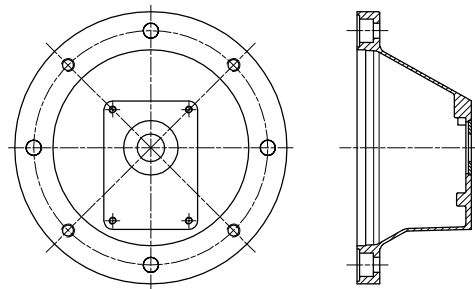
**LMG \*\*\* 4S**

Without centre ring allowing removal of half-coupling (which as a rule is keyed permanently to the pump shaft); motor mounting flange drilled with 4 clearance holes + 4 threaded holes. Used normally for vertically mounted motor and pump units with pump submerged in the oil tank.



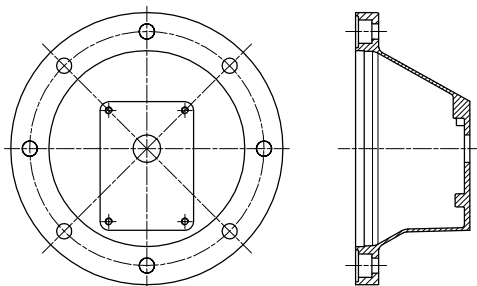
**LMG \*\*\* 4E**

With centre ring allowing removal of half-coupling (which as a rule is keyed permanently to the pump shaft), motor mounting flange drilled with 4 clearance holes + 4 threaded holes. Normally used for motor and pump units mounted horizontally on the tank lid or on the machine for maximum ease of maintenance. With this type of mounting, in effect, the hydraulic pump can be removed without removing the motor. The half-coupling mounted to the shaft passes through the spigot hole.



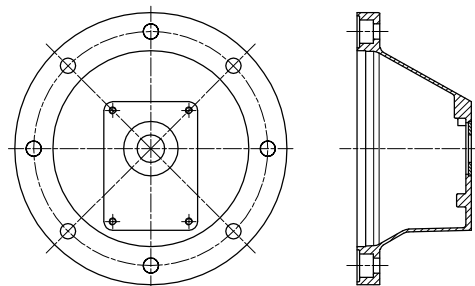
**LMG \*\*\* 8S**

Without centre ring allowing removal of half-coupling (which as a rule is keyed permanently to the pump shaft), motor mounting flange drilled with 8 clearance holes. Used normally for vertically mounted motor and pump units with pump submerged in the oil tank, allows greater flexibility for directional positioning of the hydraulic pump inside the tank, according to constructional requirements.



**LMG \*\*\* 8E**

With centre ring allowing removal of half-coupling (which as a rule is keyed permanently to the pump shaft), motor mounting flange drilled with 8 clearance holes. Normally used for motor and pump units mounted horizontally on the tank lid or on the machine, offers maximum ease of maintenance and enables directional positioning of the pump. With this type of mounting, in effect, the hydraulic pump can be removed without removing the motor. The half-coupling mounted to the shaft passes through the spigot hole.



## Designation & Ordering code

### COMPLETE KIT (BELL-HOUSING & COUPLINGS)

Motors identification code				Configuration example: AKA02 FS200 Z 4E			
Size		Size		Size			
<b>02</b>	63 B3-B5	<b>13</b>	180 B3-B5	<b>44</b>	71 B14		
<b>03</b>	71 B3-B5	<b>16</b>	200 B3-B5	<b>45</b>	80 B14		
<b>04</b>	80 B3-B5	<b>18</b>	225 B3-B5	<b>46</b>	90 B14		
<b>05</b>	90 B3-B5	<b>20</b>	250 B3-B5	<b>48</b>	100/112 B14		
<b>07</b>	100/112 B3-B5	<b>22</b>	280 B3-B5				
<b>11</b>	132 B3-B5	<b>26</b>	315 B3-B5				
<b>12</b>	160 B3-B5	<b>43</b>	63 B14				

Pump flange identification code	
<b>FS200</b>	See page 63

Product revision code	
<b>Z</b>	

Versions	
<b>4S</b>	4 through holes + 4 threaded holes, motor interface without coupling removal ring
<b>4E</b>	4 through holes + 4 threaded holes, motor interface with coupling removal ring
<b>8S</b>	8 through holes, motor interface without coupling removal ring
<b>8E</b>	8 through holes, motor interface with coupling removal ring

### BELL-HOUSING LMG

Bell-Housing series and size				Configuration example: LMG140 M FS200 4E DI				
<b>LMG140</b>	<b>LMG200</b>	<b>LMG300</b>	<b>LMG550</b>					
<b>LMG141</b>	<b>LMG201</b>	<b>LMG351</b>	<b>LMG660</b>					
<b>LMG160</b>	<b>LMG250</b>	<b>LMG400</b>						
<b>LMG161</b>	<b>LMG251</b>	<b>LMG450</b>						

Product revision code	
<b>M</b>	

Pump flange identification code	
<b>FS200</b>	See page 63

Versions	
<b>4S</b>	4 through holes + 4 threaded holes, motor interface without coupling removal ring
<b>4E</b>	4 through holes + 4 threaded holes, motor interface with coupling removal ring
<b>8S</b>	8 through holes, motor interface without coupling removal ring
<b>8E</b>	8 through holes, motor interface with coupling removal ring

Options	
<b>DI</b>	Drain hole + inspection hole
<b>AN</b>	Black anodized finish
<b>SA</b>	Motor interface with clearance holes
<b>Pxx</b>	Customer specification

### COUPLING KIT

Motors identification code		Configuration example: AKG02 FS200 Z		
Size		Size		
<b>02</b>	63 B3-B5	<b>13</b>	180 B3-B5	
<b>03</b>	71 B3-B5	<b>43</b>	63 B14	
<b>04</b>	80 B3-B5	<b>44</b>	71 B14	
<b>05</b>	90 B3-B5	<b>45</b>	80 B14	
<b>07</b>	100/112 B3-B5	<b>46</b>	90 B14	
<b>11</b>	132 B3-B5	<b>48</b>	100/112 B14	
<b>12</b>	160 B3-B5			

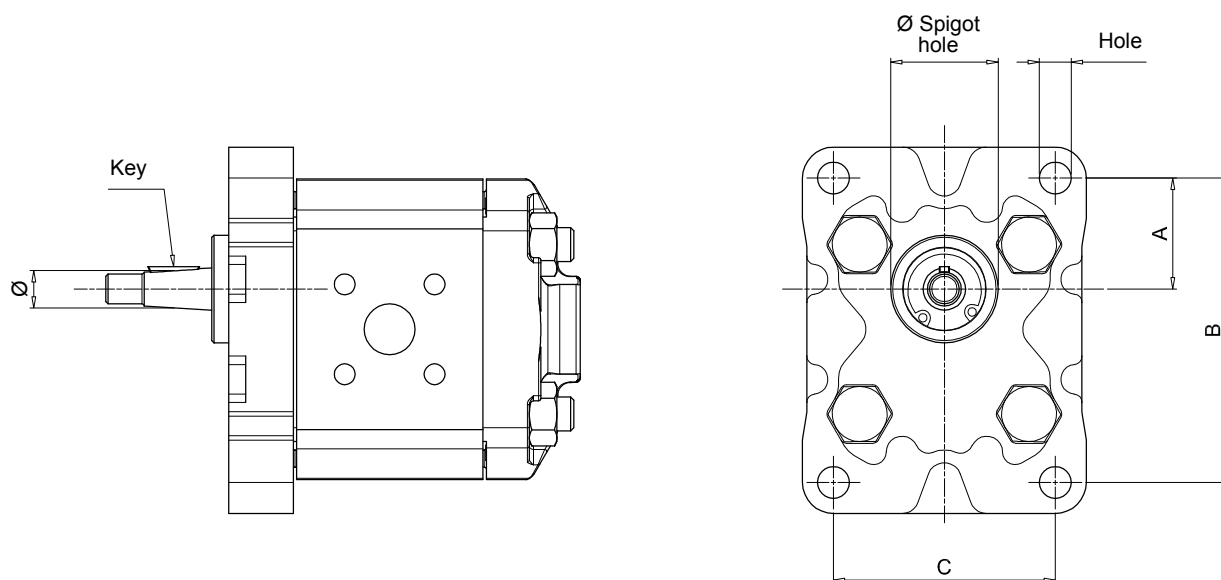
Pumps flange identification code	
<b>FS200</b>	See page 63

Product revision code	
<b>Z</b>	

#### Note:

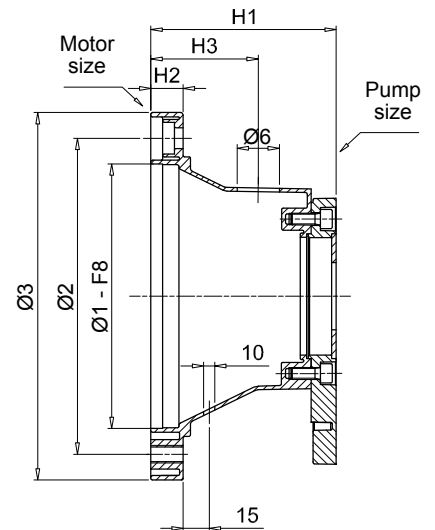
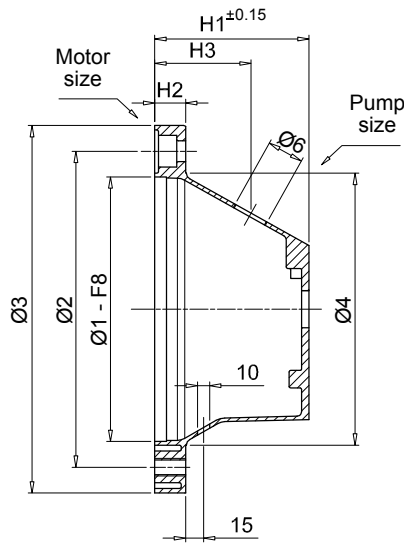
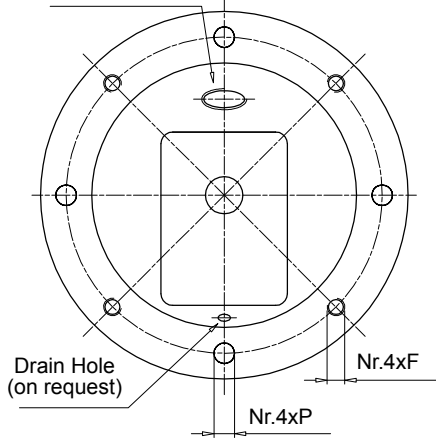
- Bell-Housings with DI options are supplied complete with threaded closure plug.
- Bell-Housing with 4E/8E version are supplied with center ring mounted.
- For product range codes see pages 66 ÷ 68



### Designation of pump flange and shaft

Pump group	Ø Spigot hole	Dimensions				Pump flange code	Ø	Key	Shaft type	Pump half-coupling code
		A	B	C	Hole					
<b>05</b>	22.0	25.5	66.0	-	M6	<b>FS05M</b>	6.0	2.0	parallel	<b>FS05M</b>
	22.0	25.5	66.0	-	M6	<b>FS05C</b>	7.0	2.0	parallel	<b>FS05C</b>
<b>1</b>	25.4	26.2	72.0	52.0	M6	<b>FS100</b>	9.7	2.4	tapered 1:8	<b>FS100</b>
	30.0	24.5	73.0	56.0	M6	<b>FS1M0</b>	12.0	3.0	parallel	<b>FS1C0</b>
	30.0	24.5	73.0	56.0	M6	<b>FS1M0</b>	13.9	3.0	tapered 1:8	<b>FS1M0</b>
<b>2</b>	36.5	32.5	96.0	71.5	M8	<b>FS200</b>	17.2	3.2 - 4	tapered 1:8	<b>FS200</b>
	50.8	43.0	128.0	98.5	M8	<b>FS25T</b>	22.2	4.0	tapered 1:8	<b>FS300</b>
<b>3</b>	50.8	42.0	128.0	98.5	M10	<b>FS300</b>	22.2	4.0	tapered 1:8	<b>FS300</b>
	50.8	43.0	128.0	98.5	M10	<b>FS3M0</b>	22.2	4.0	tapered 1:8	<b>FS300</b>
	50.8	45.0	137.0	98.5	M10	<b>FS3T0</b>	22.2	4.0	tapered 1:8	<b>FS300</b>
	60.0	48.5	148.0	127.0	M12	<b>FS35M</b>	25.6	4.76 - 5.0	tapered 1:8	<b>FS350</b>
<b>3.5</b>	60.3	49.5	149.5	114.3	M10	<b>FS350</b>	25.6	4.76 - 5.0	tapered 1:8	<b>FS350</b>
	63.5	65.0	196.0	142.8	M12	<b>FS4M0</b>	33.3	6.35 - 7.0	tapered 1:8	<b>FS400</b>
<b>4</b>	63.5	64.3	188.0	143.0	M12	<b>FS400</b>	33.3	6.35 - 7.0	tapered 1:8	<b>FS400</b>
	32.0	10.3	40.0	40.0	M8	<b>FSZBR</b>	9.8	2.0	tapered 1:5	<b>FSZBR</b>
<b>Bosch</b>	80.0	34.5	100.0	72.0	M8	<b>FSZFR</b>	16.9	3.0	tapered 1:5	<b>FSZFR</b>
	105.0	48.0	145.0	102.0	M10	<b>FSZGR</b>	25.2	5.0	tapered 1:5	<b>FSZGR</b>

Inspection Hole  
Plastic threaded plug mounted  
(protection according  
to DIN EN 292 part 2)  
"Safety of machines"

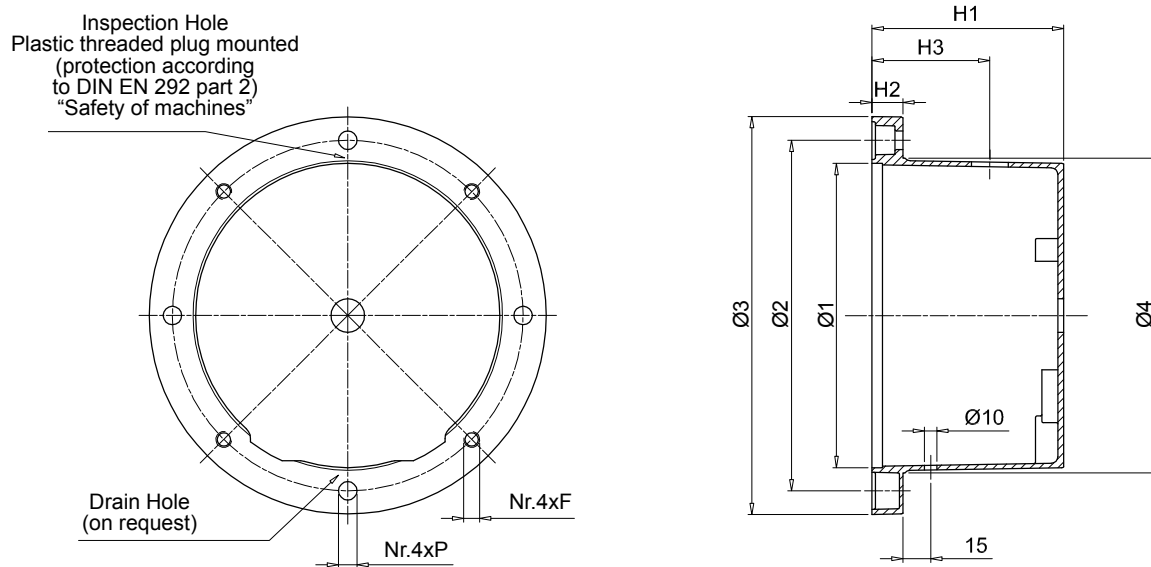


(\*) Shape valid for LMG 251

### Bell-housing

IEC - Electric motors		Bell-housing code	Dimensions [mm]								On request		Weight [kg]
Motor size	Shaft end [Ø x L]		Ø1	Ø1	Ø3	Ø4	H1	H2	F	P	H3	Ø6	
63 - B14	11x23	<b>LMG090</b>	60	75	90	63	60	7	-	6	40	1/2"	0.30
71 - B14	14x30	<b>LMG105</b>	70	85	105	74	67	8	-	7	40	1/2"	0.35
80 - B14	19x40	<b>LMG120</b>	80	100	120	84	87	9	-	7	45	1/2"	0.40
63 - B3/B5	11x23	<b>LMG140</b>	95	115	140	100	60	13	M8	9	40	1/2"	0.35
63 - B3/B5	11x23	<b>LMG141</b>	95	115	140	100	95	13	M8	9	50	1/2"	0.40
71 - B3/B5	14x30	<b>LMG160</b>	110	130	160	110	70	15	M8	9	40	1/2"	0.44
71 - B3/B5	14x30	<b>LMG161</b>	110	130	160	110	105	15	M8	9	50	1/2"	0.50
80 - B3/B5	19x40	<b>LMG200</b>	130	165	200	135	87	18	M10	11	45	3/4"	0.68
90 - B3/B5	24x50	<b>LMG201</b>	130	165	200	135	95	18	M10	11	50	3/4"	0.80
100-112 - B3/B5	28x60	<b>LMG250</b>	180	215	250	185	105	22	M12	14	70	3/4"	1.16
100-112 - B3/B5	28x60	<b>LMG251 (*)</b>	180	215	250	185	126	22	M12	14	70	3/4"	1.80





### Bell-housing

IEC - Electric motors		Bell-housing code	Dimensions [mm]								On request		Weight [kg]
Motor size	Shaft end [Ø x L]		Ø1	Ø2	Ø3	Ø4	H1	H2	F	P	H3	Ø6	
132	38x80	<b>LMG300</b>	230	265	300	235	145	23	M12	14	80	1"	2.55
160	42x110	<b>LMG351</b>	250	300	350	255	178	31	M16	18	100	1"	4.90
180	48x110	<b>LMG351</b>	250	300	350	255	178	31	M16	18	100	1"	4.90

## IEC Motors B3/5 - standard gear pump

IEC - Electric motors Motor size	Shaft end [Ø x L]	Pump identification code	Components					
			Bell-Housing code	Motor half-coupling code	Spider code	Pump half-coupling code	Complete kit code	Complete coupling kit code
63	11x23	<b>FS05M</b>	LMG140MFS05M4S	SGEA01M01019FG	EGE 0	SGEA01FS05M	AKA02FS05MZ4S	AKG02FS05MZ
		<b>FS05C</b>	LMG140MFS05M4S			SGEA01FS05C	AKA02FS05CZ4S	AKG02FS05CZ
		<b>FS100</b>	LMG140MFS1004S/4E			SGEA01FS100	AKA02FS100Z4S/4E	AKG02FS100Z
		<b>FS1C0</b>	LMG140MFS1M04S/4E			SGEA01FS1C0	AKA02FS1C0Z4S/4E	AKG02FS1C0Z
		<b>FS1M0</b>	LMG140MFS1M04S/4E			SGEA01FS1M0	AKA02FS1M0Z4S/4E	AKG02FS1M0Z
		<b>FSZBR</b>	LMG140MFSZBR4S			SGEA01FSZBR	AKA02FSZBRZ4S	AKG02FSZBRZ
71	14x30	<b>FS05M</b>	LMG160MFS05M4S	SGEA01M02028FG	EGE 0	SGEA01FS05M	AKA03FS05MZ4S	AKG03FS05MZ
		<b>FS05C</b>	LMG160MFS05M4S			SGEA01FS05C	AKA03FS05CZ4S	AKG03FS05CZ
		<b>FS100</b>	LMG160MFS1004S/4E			SGEA01FS100	AKA03FS100Z4S/4E	AKG03FS100Z
		<b>FS1C0</b>	LMG160MFS1M04S/4E			SGEA01FS1C0	AKA03FS1C0Z4S/4E	AKG03FS1C0Z
		<b>FS1M0</b>	LMG160MFS1M04S/4E			SGEA01FS1M0	AKA03FS1M0Z4S/4E	AKG03FS1M0Z
		<b>FSZBR</b>	LMG160MFSZBR4S			SGEA01FSZBR	AKA03FSZBRZ4S	AKG03FSZBRZ
80	19x40	<b>FS05M</b>	LMG200MFS05M4S	SGEA01M03048FG	EGE 0	SGEA01FS05M	AKA04FS05MZ4S	AKG04FS05MZ
		<b>FS05C</b>	LMG200MFS05M4S			SGEA01FS05C	AKA04FS05CZ4S	AKG04FS05CZ
		<b>FS100</b>	LMG200MFS1004S/4E			SGEA01FS100	AKA04FS100Z4S/4E	AKG04FS100Z
		<b>FS1C0</b>	LMG200MFS1M04S/4E			SGEA01FS1C0	AKA04FS1C0Z4S/4E	AKG04FS1C0Z
		<b>FS1M0</b>	LMG200MFS1M04S/4E			SGEA01FS1M0	AKA04FS1M0Z4S/4E	AKG04FS1M0Z
		<b>FSZBR</b>	LMG200MFSZBR4S			SGEA01FSZBR	AKA04FSZBRZ4S	AKG04FSZBRZ
		<b>FS200</b>	LMG201MFS2004S/4E	SGEA21M03048FG	SGEA21FS200	AKA04FS200Z4S/4E	AKG04FS200Z	
		<b>FSZFR</b>	LMG201MFSZFR4S	SGEA21M03048FG	SGEA21FSZFR	AKA04FSZFRZ4S	AKG04FSZFRZ	
90	24x50	<b>FS05M</b>	LMG200MFS05M4S	SGEA01M04048FG	EGE 0	SGEA01FS05M	AKA05FS05MZ4S	AKG05FS05MZ
		<b>FS05C</b>	LMG200MFS05M4S			SGEA01FS05C	AKA05FS05CZ4S	AKG05FS05CZ
		<b>FS100</b>	LMG200MFS1004S/4E			SGEA01FS100	AKA05FS100Z4S/4E	AKG05FS100Z
		<b>FS1C0</b>	LMG200MFS1M04S/4E			SGEA01FS1C0	AKA05FS1C0Z4S/4E	AKG05FS1C0Z
		<b>FS1M0</b>	LMG200MFS1M04S/4E			SGEA01FS1M0	AKA05FS1M0Z4S/4E	AKG05FS1M0Z
		<b>FSZBR</b>	LMG200MFSZBR4S			SGEA01FSZBR	AKA05FSZBRZ4S	AKG05FSZBRZ
		<b>FS200</b>	LMG201MFS2004S/4E	SGEA21M04048FG	SGEA21FS200	AKA05FS200Z4S/4E	AKG05FS200Z	
		<b>FSZFR</b>	LMG201MFSZFR4S	SGEA21M04048FG	SGEA21FSZFR	AKA05FSZFRZ4S	AKG05FSZFRZ	
100 112	28x60	<b>FS100</b>	LMG250MFS1004S	SGEA21M05055FG	EGE 2	SGEA21FS100	AKA07FS100Z4S	AKG07FS100Z
		<b>FS1C0</b>	LMG250MFS1M04S			SGEA21FS1C0	AKA07FS1C0Z4S	AKG07FS1C0Z
		<b>FS1M0</b>	LMG250MFS1M04S			SGEA21FS1M0	AKA07FS1M0Z4S	AKG07FS1M0Z
		<b>FSZBR</b>	LMG250MFSZBR4S			SGEA21FSZBR	AKA07FSZBRZ4S	AKG07FSZBRZ
		<b>FS200</b>	LMG250MFS2004S/4E			SGEA21FS200	AKA07FS200Z4S/4E	AKG07FS200Z
		<b>FSZFR</b>	LMG250MFSZFR4S			SGEA21FSZFR	AKA07FSZFRZ4S	AKG07FSZFRZ
		<b>FS25T</b>	LMG251MFS25T4E			SGEA21FS300	AKA07FS25TZ4E	AKG07FS300Z
		<b>FS300</b>	LMG251MFS3004E			SGEA21FS300	AKA07FS300Z4E	AKG07FS300Z
<b>FS3M0</b>	LMG251MFS3M04E	SGEA21FS300	AKA07FS3M0Z4E	AKG07FS300Z				
<b>FS3T0</b>	LMG251MFS3T04E	SGEA21FS300	AKA07FS3T0Z4E	AKG07FS300Z				
132	38x80	<b>FS100</b>	LMG300MFS1004S	SGEA31M06077FG	EGE 3	SGEA31FS100	AKA11FS100Z4S	AKG11FS100Z
		<b>FS1C0</b>	LMG300MFS1M04S			SGEA31FS1C0	AKA11FS1C0Z4S	AKG11FS1C0Z
		<b>FS1M0</b>	LMG300MFS1M04S			SGEA31FS1M0	AKA11FS1M0Z4S	AKG11FS1M0Z
		<b>FSZGR</b>	LMG300MFSZGR4S			SGEA31FSZGR	AKA11FSZGRZ4S	AKG11FSZGRZ
		<b>FS200</b>	LMG300MFS2004S/4E			SGEA31FS200	AKA11FS200Z4S/4E	AKG11FS200Z
		<b>FSZFR</b>	LMG300MFSZFR4S			SGEA31FSZFR	AKA11FSZFRZ4S	AKG11FSZFRZ
		<b>FS25T</b>	LMG300MFS25T4S/4E			SGEA31FS300	AKA11FS25TZ4S/4E	AKG11FS300Z
		<b>FS300</b>	LMG300MFS3004S/4E			SGEA31FS300	AKA11FS300Z4S/4E	AKG11FS300Z
		<b>FS3M0</b>	LMG300MFS3M04S/4E			SGEA31FS300	AKA11FS3M0Z4S/4E	AKG11FS300Z
		<b>FS3T0</b>	LMG300MFS3T04S/4E			SGEA31FS300	AKA11FS3T0Z4S/4E	AKG11FS300Z
		<b>FS35M</b>	LMG300MFS35M4S/4E			SGEA31FS350	AKA11FS35MZ4S/4E	AKG11FS350Z
<b>FS350</b>	LMG300MFS3504S/4E	SGEA31FS350	AKA11FS350Z4S/4E	AKG11FS350Z				

**Note:**

- For bell-housing dimensions see pages 64-65.
- For coupling dimensions see "Half-couplings" section on pages 26-27.

## IEC Motors B3/5 - standard gear pump

IEC - Electric motors		Pump identification code	Components					
Motor size	Shaft end [Ø x L]		Bell-Housing code	Motor half-coupling code	Spider code	Pump half-coupling code	Complete kit code	Complete coupling kit code
160	42x110	<b>FSZGR</b>	LMG351MFSZGR4S	SGEA51M07109FG	EGE 5	SGEA51FSZGR	AKA12FSZGRZ4S	AKG12FSZGRZ
		<b>FS200</b>	LMG351MFS2004S			SGEA51FS200	AKA12FS200Z4S	AKG12FS200Z
		<b>FSZFR</b>	LMG351MFSZFR4S			SGEA51FSZFR	AKA12FSZFRZ4S	AKG12FSZFRZ
		<b>FS25T</b>	LMG351MFS25T4S/4E			SGEA51FS300	AKA12FS25TZ4S/4E	AKG12FS300Z
		<b>FS300</b>	LMG351MFS3004S/4E			SGEA51FS300	AKA12FS300Z4S/4E	AKG12FS300Z
		<b>FS3M0</b>	LMG351MFS3M04S/4E			SGEA51FS300	AKA12FS3M0Z4S/4E	AKG12FS300Z
		<b>FS3T0</b>	LMG351MFS3T04S/4E			SGEA51FS300	AKA12FS3T0Z4S/4E	AKG12FS300Z
		<b>FS35M</b>	LMG351MFS35M4S/4E			SGEA51FS350	AKA12FS35MZ4S/4E	AKG12FS350Z
		<b>FS350</b>	LMG351MFS3504S/4E			SGEA51FS350	AKA12FS350Z4S/4E	AKG12FS350Z
180	48x110	<b>FSZGR</b>	LMG351MFSZGR4S	SGEA51M08109FG	EGE 5	SGEA51FSZGR	AKA13FSZGRZ4S	AKG13FSZGRZ
		<b>FS200</b>	LMG351MFS2004S			SGEA51FS200	AKA13FS200Z4S	AKG13FS200Z
		<b>FSZFR</b>	LMG351MFSZFR4S			SGEA51FSZFR	AKA13FSZFRZ4S	AKG13FSZFRZ
		<b>FS25T</b>	LMG351MFS25T4S/4E			SGEA51FS300	AKA13FS25TZ4S/4E	AKG13FS300Z
		<b>FS300</b>	LMG351MFS3004S/4E			SGEA51FS300	AKA13FS300Z4S/4E	AKG13FS300Z
		<b>FS3M0</b>	LMG351MFS3M04S/4E			SGEA51FS300	AKA13FS3M0Z4S/4E	AKG13FS300Z
		<b>FS3T0</b>	LMG351MFS3T04S/4E			SGEA51FS300	AKA13FS3T0Z4S/4E	AKG13FS300Z
		<b>FS35M</b>	LMG351MFS35M4S/4E			SGEA51FS350	AKA13FS35MZ4S/4E	AKG13FS350Z
		<b>FS350</b>	LMG351MFS3504S/4E			SGEA51FS350	AKA13FS350Z4S/4E	AKG13FS350Z
200	55x110	<b>FS200</b>	LMG400MFS2004E	SGEA51M09109FG	EGE 5	SGEA51FS200	AKA16FS200Z4S	AKG16FS200Z
		<b>FS300</b>	LMG400MFS3004E			SGEA51FS300	AKA16FS300Z4E	AKG16FS300Z
		<b>FS3M0</b>	LMG400MFS3M04E			SGEA51FS300	AKA16FS3M0Z4E	AKG16FS300Z
		<b>FS35M</b>	LMG400MFS35M4E			SGEA51FS350	AKA16FS35MZ4E	AKG16FS350Z
		<b>FS350</b>	LMG400MFS3504E			SGEA51FS350	AKA16FS350Z4E	AKG16FS350Z
		<b>FSZFR</b>	LMG400MFSZFR4S			SGEA51FSZFR	AKA16FSZFRZ4E	AKG16FSZFRZ
		<b>FSZGR</b>	LMG400MFSZGR4S			SGEA51FSZGR	AKA16FSZGRZ4E	AKG16FSZGRZ
225	60x140	<b>FS300</b>	LMG450MFS3004E	SGEG60M10110	EGE 6	SGEG60FS300	AKA18FS300Z4E	AKG18FS300Z
		<b>FS3M0</b>	LMG450MFS3M04E			SGEG60FS300	AKA18FS3M0Z4E	AKG18FS300Z
		<b>FS35M</b>	LMG450MFS35M4E			SGEG60FS350	AKA18FS35MZ4E	AKG18FS350Z
		<b>FS350</b>	LMG450MFS3504E			SGEG60FS350	AKA18FS350Z4E	AKG18FS350Z
		<b>FSZGR</b>	LMG450MFSZGR4S			SGEG60FSZGR	AKA18FSZGRZ4E	AKG18FSZGRZ
250	65x140	<b>FS300</b>	LMG550MFS3004E	SGEG60M11140	EGE 6	SGEG60FS300	AKA20FS300Z4E	AKG20FS300Z
		<b>FS3M0</b>	LMG550MFS3M04E			SGEG60FS300	AKA20FS3M0Z4E	AKG20FS300Z
		<b>FS35M</b>	LMG550MFS35M4E			SGEG60FS350	AKA20FS35MZ4E	AKG20FS350Z
		<b>FS350</b>	LMG550MFS3504E			SGEG60FS350	AKA20FS350Z4E	AKG20FS350Z
		<b>FSZGR</b>	LMG550MFSZGR4S			SGEG60FSZGR	AKA20FSZGRZ4E	AKG20FSZGRZ
280	75x140	<b>FS300</b>	LMG550MFS3004E	SGEG80M12140	EGE 8	SGEG80FS300	AKA22FS300Z4E	AKG22FS300Z
		<b>FS3M0</b>	LMG550MFS3M04E			SGEG80FS300	AKA22FS3M0Z4E	AKG22FS300Z
		<b>FS35M</b>	LMG550MFS35M4E			SGEG80FS350	AKA22FS35MZ4E	AKG22FS350Z
		<b>FS350</b>	LMG550MFS3504E			SGEG80FS350	AKA22FS350Z4E	AKG22FS350Z
		<b>FSZGR</b>	LMG550MFSZGR4S			SGEG80FSZGR	AKA22FSZGRZ4E	AKG22FSZGRZ
315	80x170	<b>FS300</b>	LMG660MFS3004E	SGEG80M13170	EGE 8	SGEG80FS300	AKA26FS300Z4E	AKG26FS300Z
		<b>FS3M0</b>	LMG660MFS3M04E			SGEG80FS300	AKA26FS3M0Z4E	AKG26FS300Z
		<b>FS35M</b>	LMG660MFS35M4E			SGEG80FS350	AKA26FS35MZ4E	AKG26FS350Z
		<b>FS350</b>	LMG660MFS3504E			SGEG80FS350	AKA26FS350Z4E	AKG26FS350Z
		<b>FSZGR</b>	LMG660MFSZGR4S			SGEG80FSZGR	AKA26FSZGRZ4E	AKG26FSZGRZ

**Note:**

- For bell-housing dimensions see pages 64-65.
- For coupling dimensions see "Half-couplings" section on pages 26-27.

## IEC Electric motors B14 mounting

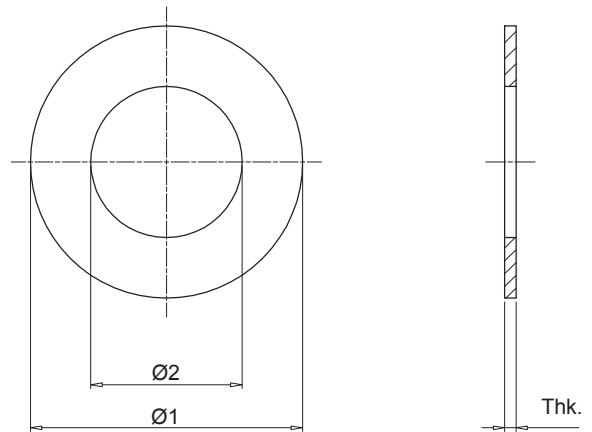
IEC - Electric motors		Pump identification code	Components					
Motor size	Shaft end [Ø x L]		Bell-Housing code	Motor half-coupling code	Spider code	Pump half-coupling code	Complete kit code	Complete coupling kit code
63	11x23	<b>FS05M</b>	LMG090MFS05M4E	SGEA01M01019FG	EGE0	SGEA00FS05M	AKA43FS05MZ4E	AKG43FS05MZ
		<b>FS05C</b>	LMG090MFS05M4E			SGEA01FS05C	AKA43FS05CZ4E	AKG43FS05CZ
		<b>FS100</b>	LMG090MFS1004E			SGEA01FS100	AKA43FS100Z4E	AKG43FS100Z
		<b>FS1C0</b>	LMG090MFS1M04E			SGEA01FS1C0	AKA43FS1C0Z4E	AKG43FS1C0Z
		<b>FS1M0</b>	LMG090MFS1M04E			SGEA01FS1M0	AKA43FS1M0Z4E	AKG43FS1M0Z
		<b>FSZBR</b>	LMG090MFSZBR4E			SGEA01FSZBR	AKA43FSZBRZ4E	AKG43FSZBRZ
71	14x30	<b>FS05M</b>	LMG105MFS05M4E	SGEA01M02028FG	EGE 0	SGEA01FS05M	AKA44FS05MZ4E	AKG44FS05MZ
		<b>FS05C</b>	LMG105MFS05M4E			SGEA01FS05C	AKA44FS05CZ4E	AKG44FS05CZ
		<b>FS100</b>	LMG105MFS1004E			SGEA01FS100	AKA44FS100Z4E	AKG44FS100Z
		<b>FS1C0</b>	LMG105MFS1C04E			SGEA01FS1C0	AKA44FS1C0Z4E	AKG44FS1C0Z
		<b>FS1M0</b>	LMG105MFS1M04E			SGEA01FS1M0	AKA44FS1M0Z4E	AKG44FS1M0Z
		<b>FSZBR</b>	LMG105MFSZBR4E			SGEA01FSZBR	AKA44FSZBRZ4E	AKG44FSZBRZ
80	19x40	<b>FS05M</b>	LMG120MFS05M4E	SGEA01M03048FG	EGE 0	SGEA01FS05M	AKA45FS05MZ4E	AKG45FS05MZ
		<b>FS05C</b>	LMG120MFS05M4E			SGEA01FS05C	AKA45FS05CZ4E	AKG45FS05CZ
		<b>FS100</b>	LMG120MFS1004E			SGEA01FS100	AKA45FS100Z4E	AKG45FS100Z
		<b>FS1C0</b>	LMG120MFS1M04E			SGEA01FS1C0	AKA45FS1C0Z4E	AKG45FS1C0Z
		<b>FS1M0</b>	LMG120MFS1M04E			SGEA01FS1M0	AKA45FS1M0Z4E	AKG45FS1M0Z
		<b>FSZBR</b>	LMG120MFSZBR4S			SGEA01FSZBR	AKA45FSZBRZ4E	AKG45FSZBRZ
		<b>FS200</b>	LMG121MFS2004E	SGEA21M03048FG	EGE 2	SGEA21FS200	AKA45FS200Z4E	AKG45FS200Z
		<b>FSZFR</b>	LMG121MFSZFR4S	SGEA21FSZFR	AKA45FSZFRZ4S	AKG45FSZFRZ		
90	24x50	<b>FS05M</b>	LMG141MFS05M4S	SGEA01M04048FG	EGE 0	SGEA01FS05M	AKA46FS05MZ4E	AKG46FS05MZ
		<b>FS05C</b>	LMG141MFS05M4S			SGEA01FS05C	AKA46FS05CZ4E	AKG46FS05CZ
		<b>FS100</b>	LMG141MFS1004S/4E			SGEA01FS100	AKA46FS100Z4E	AKG46FS100Z
		<b>FS1C0</b>	LMG141MFS1M04S/4E			SGEA01FS1C0	AKA46FS1C0Z4E	AKG46FS1C0Z
		<b>FS1M0</b>	LMG141MFS1M04S/4E			SGEA01FS1M0	AKA46FS1M0Z4E	AKG46FS1M0Z
		<b>FSZBR</b>	LMG141MFSZBR4S			SGEA01FSZBR	AKA46FSZBRZ4E	AKG46FSZBRZ
		<b>FS200</b>	LMG141MFS2004S/4E	SGEA21M04048FG	EGE 2	SGEA21FS200	AKA46FS200Z4E	AKG46FS200Z
		<b>FSZFR</b>	LMG141MFSZFR4S	SGEA21FSZFR	AKA46FSZFRZ4S	AKG46FSZFRZ		
100 112	28x60	<b>FS05M</b>	LMG161MFS05M4S	SGEA21M05055FG	EGE 2	SGEA21FS05M	AKA48FS05MZ4E	AKG48FS05MZ
		<b>FS05C</b>	LMG161MFS05M4S			SGEA21FS05C	AKA48FS05CZ4E	AKG48FS05CZ
		<b>FS100</b>	LMG161MFS1004S			SGEA21FS100	AKA48FS100Z4E	AKG48FS100Z
		<b>FS1C0</b>	LMG161MFS1M04S			SGEA21FS1C0	AKA48FS1C0Z4E	AKG48FS1C0Z
		<b>FS1M0</b>	LMG161MFS1M04S			SGEA21FS1M0	AKA48FS1M0Z4E	AKG48FS1M0Z
		<b>FSZBR</b>	LMG161MFSZBR4S			SGEA21FSZBR	AKA48FSZBRZ4E	AKG48FSZBRZ
		<b>FS200</b>	LMG161MFS2004S/4E			SGEA21FS200	AKA48FS200Z4E	AKG48FS200Z
		<b>FSZFR</b>	LMG161MFSZFR4S			SGEA21FSZFR	AKA48FSZFRZ4S	AKG48FSZFRZ

### Note:

- For bell-housing dimensions see pages 64-65.
- For coupling dimensions see "Half-couplings" section on pages 26-27.

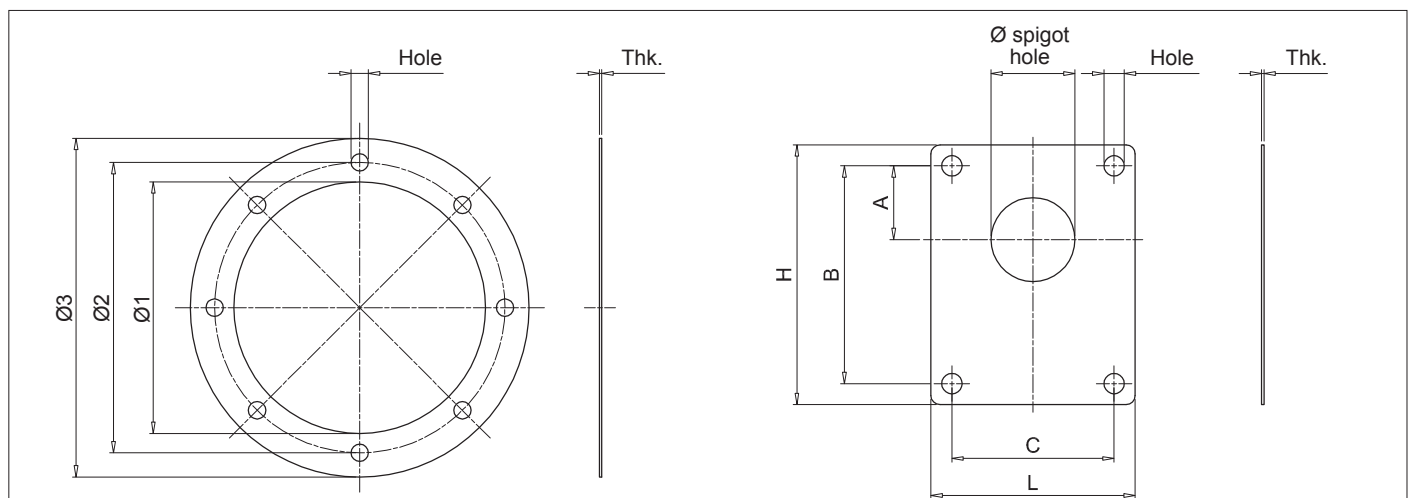
CENTER RING

Center ring code	Dimensions [mm]		
	Ø1	Ø2	Thk.
ANC01FS100	50	25.4	1.0
ANC01FS1M0	50	30.0	1.0
ANC02FS200	72	36.5	2.0
ANC03FS200	88	36.5	2.0
ANC03FS300	88	50.8	2.5
ANC03FS350	88	60.3	2.5
ANC04FS300	115	50.8	3.5
ANC04FS350	115	60.3	3.5
ANCA001	42	22.0	1.0
ANCD005	85	50.8	2.5



Center ring code	Bell-Housing size										
	LMG090	LMG105	LMG120	LMG140	LMG160	LMG200	LMG250	LMG300	LMG351	LMG400	LMG450
ANC01FS100	●	●	●	●	●						
ANC01FSM0	●	●	●	●	●						
ANC02FS200			●	●	●	●	●				
ANC03FS200								●	●		
ANC03FS300								●			
ANC03FS350								●			
ANC04FS200										●	●
ANC04FS300									●	●	●
ANC04FS350									●	●	●
ANCA001	●	●	●	●	●		●				
ANCD005						●	●	●	●		

GASKET



Motor side gasket

Bell-housing size	Seals code	Dimensions [mm]				
		Ø1	Ø2	Ø3	Thk.	Hole
LMG 120	GUM P 120	84	100	120	1	7
LMG 140	GUM P 140	96	115	140	1	9
LMG 160	GUM P 160	110	130	160	1	9
LMG 200	GUM P 200	145	165	200	1	11
LMG 250	GUM P 250	190	215	250	1	14
LMG 300	GUM P 300	234	265	300	1	14
LMG 350	GUM P 350	260	300	350	1	18

Pump side gasket

Pump identification code	Seals code	Dimensions [mm]							
		Ø	A	B	C	H	L	Thk.	Hole
FS05M	GUP P001	22.0	25.6	66	-	80	48	1	6.5
FS100	GUP P002	25.4	26.6	72	52.4	87	67	1	6.5
FS1M0	GUP P003	30.0	24.5	73	56.0	85	68	1	6.5
FS200	GUP P004	36.5	32.5	96	71.5	112	88	1	8.5
FS300	GUP P005	50.8	43.0	128	98.5	148	118	1	10.5
FSZBR	GUP P013	32.0	10.35	40	40.0	75	62	1	8.5
FSZFR	GUP P014	80.0	34.5	100	72.0	118	90	1	9.0



# LMC/LDC series

IEC electric motor range from size 80 up to size 355



## Technical data

**Bell-Housing - IEC electric motor range from size 80 up to size 355****Materials**

- Monobloc bell-housing: Pressure die-cast aluminium alloy
- Pump flange: Pressure die-cast aluminium alloy
- Screws kit: Steel
- Gaskets: Special paper (Guarnital)
- Plug for inspection: Polyamide

**Compatibility with fluids**

Modular bell-housing components compatible for use with:

- Mineral oils types HH-HL-HM-HR-HV, to ISO 6743/4 standard
- Water based emulsions types HFAE-HFAS, to ISO 6743/4 standard
- Water glycol type HFC, to ISO 6743/4 standard: ask for anodized version

**Special Applications**

Any applications not covered by the normal indications contained in this catalogue must be evaluated and approved by MP Filtri Technical and Sales Department

**Temperature**

From -30 °C to +80 °C

**Note**

For temperatures outside this range, contact MP Filtri Technical and Sales Department





Range

Bell-Housing size	Flange ISO 3019-2								IEC Motors size
	50 B2-B4	63 B2-B4	80 B2-B4	100 B2-B4	125 B2-B4	160 B2-B4	200 B2-B4		
LMC200	●	●	●	●					IEC 80 Ø200 - Ø19x40
LMC200	●	●	●	●					IEC 90 Ø200 - Ø24x50
LMC250	●	●	●	●	●				IEC 100 Ø250 - Ø28x60
LMC250	●	●	●	●	●				IEC 112 Ø250 - Ø28x60
LMC300			●	●	●	●			IEC 132 Ø300 - Ø38x80
LMC350			●	●	●	●			IEC 160 Ø350 - Ø42x110
LMC350			●	●	●	●	●		IEC 180 Ø350 - Ø48x110
LMC400			●	●	●	●	●		IEC 200 Ø400 - Ø55x110
LMC450			●	●	●	●	●		IEC 225 Ø450 - Ø60x140
LMC550					●	●	●		IEC 250 Ø550 - Ø65x140
LMC550					●	●	●		IEC 280 Ø550 - Ø75x140
LMC660					●	●	●		IEC 315 Ø660 - Ø80x170

Bell-Housing size	Flange SAE J 744										IEC Motors size	
	50-2 (A-A)	82-2 (A)	101-2 (B)	127-2 (C)	152-2 (D)	165-2 (E)	101-4 (B)	127-4 (D)	152-4 (D)	165-4 (E)		
LMC200	●	●										IEC 80 Ø200 - Ø19x40
LMC200	●	●										IEC 90 Ø200 - Ø24x50
LMC250	●	●	●				●					IEC 100 Ø250 - Ø28x60
LMC250	●	●	●	●			●					IEC 112 Ø250 - Ø28x60
LMC300		●	●	●			●	●				IEC 132 Ø300 - Ø38x80
LMC350		●	●	●			●	●				IEC 160 Ø350 - Ø42x110
LMC350		●	●	●	●		●	●	●			IEC 180 Ø350 - Ø48x110
LMC400		●	●	●	●	●	●	●	●	●		IEC 200 Ø400 - Ø55x110
LMC450			●	●	●	●		●	●	●		IEC 225 Ø450 - Ø60x140
LMC550				●	●	●		●	●	●		IEC 250 Ø550 - Ø65x140
LMC550				●	●	●		●	●	●		IEC 280 Ø550 - Ø75x140
LMC660				●	●	●		●	●	●		IEC 315 Ø660 - Ø80x170

## Designation & Ordering code

### LMC

#### Bell-Housing series and size

<b>LMC200AFSJ</b>	<b>LMC350AFSU</b>
<b>LMC200AFSW</b>	<b>LMC400AFSV</b>
<b>LMC250AFSM</b>	<b>LMC450AFSZ</b>
<b>LMC250AFSQ</b>	<b>LMC550AFSN</b>
<b>LMC250AFSR</b>	<b>LMC550AFSO</b>
<b>LMC300AFST</b>	<b>LMC660AFSP</b>
<b>LMC300AFSX</b>	<b>LMC660AFSS</b>
<b>LMC350AFSY</b>	

Configuration example: **LMC200AFSJ** **070** **DI**

#### Pump interface codes

**070** See page 56

#### Options

<b>DI</b>	Drain hole + inspection hole
<b>FR</b>	Holes rotated through 45° in relation to standard position
<b>DP</b>	Double set of hole
<b>AN</b>	Black anodized finish
<b>SA</b>	Clearance holes at motor interface
<b>Pxx</b>	Customer specification

### LDC

#### Bell-Housing series and size

<b>LDC200AFRB</b>	<b>LDC350AF6B</b>
<b>LDC200AFRC</b>	<b>LDC400AF5A</b>
<b>LDC200AFRD</b>	<b>LDC400AF5B</b>
<b>LDC250AFRC</b>	<b>LDC400AF6A</b>
<b>LDC300AFRC</b>	<b>LDC400AF6B</b>
<b>LDC300AF5A</b>	<b>LDC450AF6A</b>
<b>LDC300AF5B</b>	<b>LDC450AF6B</b>
<b>LDC350AF6A</b>	

Configuration example: **LDC200AFRB** **070** **DI**

#### Pump interface codes

**070** See page 56

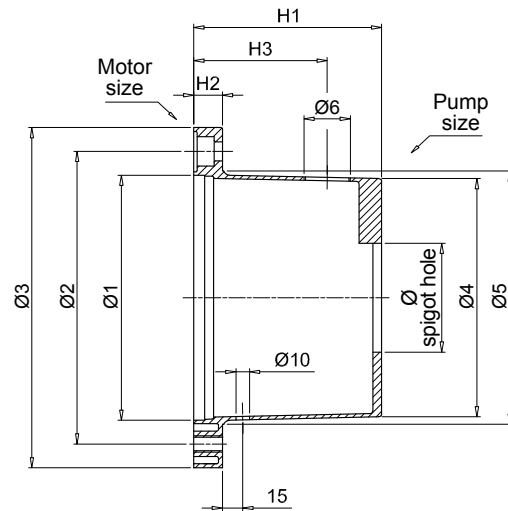
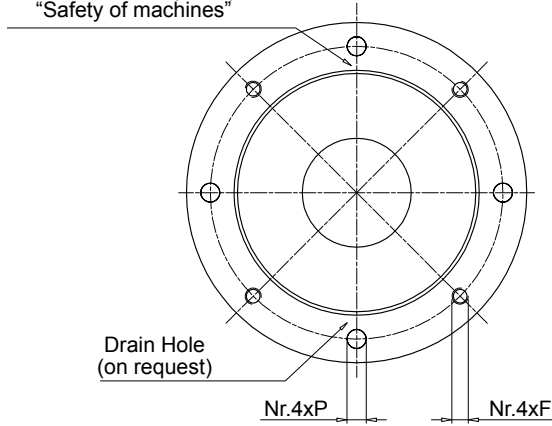
#### Options

<b>DI</b>	Drain hole + inspection hole
<b>FR</b>	Holes rotated through 45° in relation to standard position
<b>DP</b>	Double set of hole
<b>AN</b>	Black anodized finish
<b>SA</b>	Clearance holes at motor interface
<b>Pxx</b>	Customer specification

#### Note:

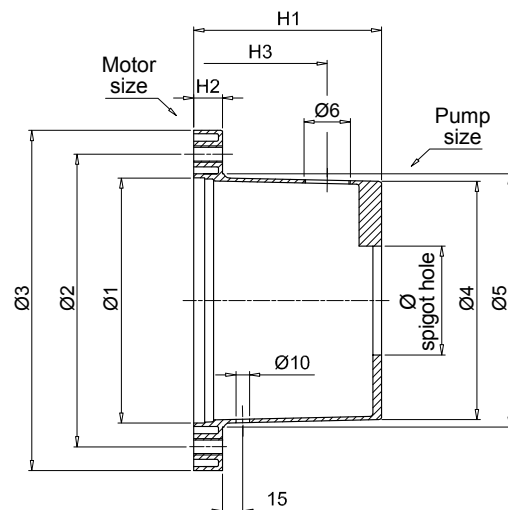
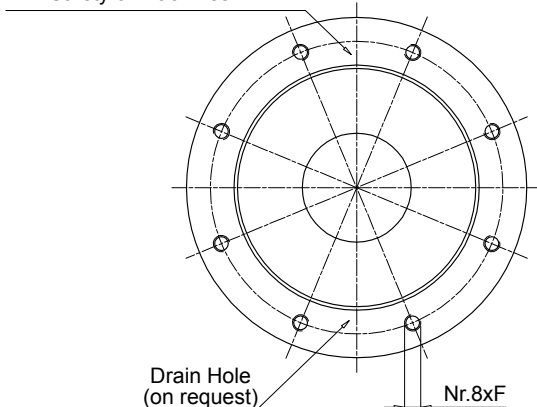
- Bell-housings with DI options are supplied complete with threaded closure plug.
- For customization features other than those indicated on this page, contact MP Filtri Technical and Sales Department.

Inspection Hole  
Plastic threaded plug mounted  
(protection according  
to DIN EN 292 part 2)  
"Safety of machines"



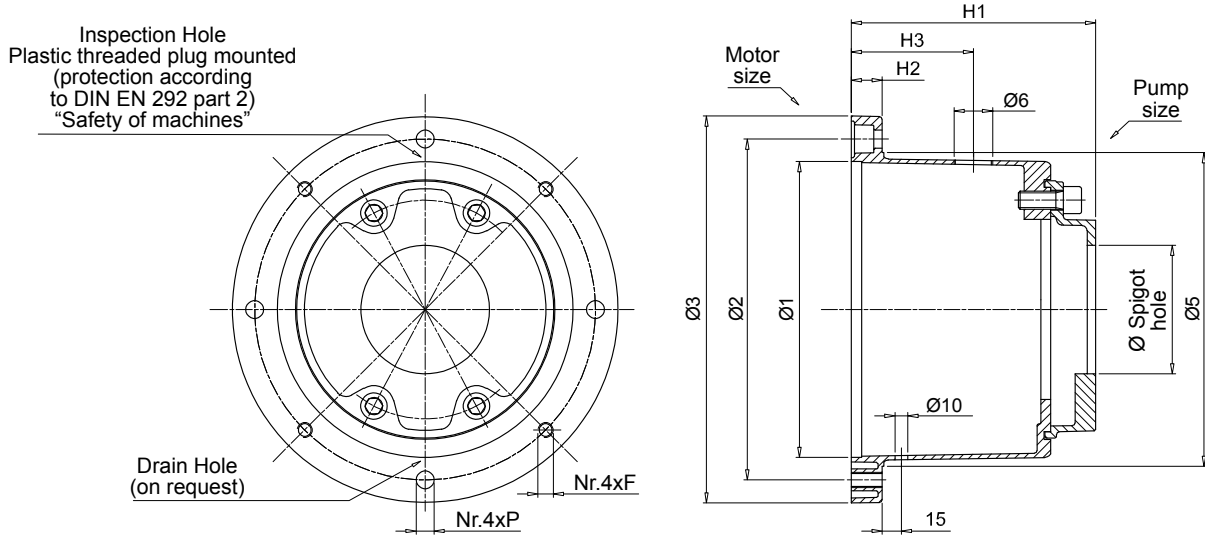
IEC - Electric motors		Bell-housing code	Dimensions [mm]								On request		Ø spigot hole Minimum [mm]	Weight [kg]	
Motor size	Shaft end [Ø x L]		Ø1	Ø2	Ø3	Ø4	Ø5	H1	H2	F	P	H3			Ø6
80	19x40	<b>LMC200AFSJ***</b>	130	165	200	125	135	100	18	M10	11	60	3/4"	50	0.75
90	24x50	<b>LMC200AFSW***</b>	130	165	200	125	135	125	18	M10	11	85	3/4"	50	0.95
110 - 112	28x60	<b>LMC250AFSM***</b>	180	215	250	175	186	114	19	M12	14	75	3/4"	50	1.50
		<b>LMC250AFSQ***</b>	180	215	250	175	186	138	19	M12	14	100	3/4"	50	1.60
		<b>LMC250AFSR***</b>	180	215	250	175	186	159	19	M12	14	120	3/4"	50	1.75
132	38x80	<b>LMC300AFST***</b>	230	265	300	230	235	155	23	M12	14	80	3/4"	80	3.20
		<b>LMC300AFSX***</b>	230	265	300	230	235	170	23	M12	14	95	3/4"	80	3.30
160	42x110	<b>LMC350AFSY***</b>	250	300	350	240	254	178	31	M16	18	95	1"	50	4.80
180	48x110	<b>LMC350AFSU***</b>	250	300	350	240	254	194	31	M16	18	115	1"	80	4.90
200	55x110	<b>LMC400AFSV***</b>	300	350	400	280	305	201	31	M16	18	125	1 1/2"	80	6.50

Inspection Hole  
Plastic threaded plug mounted  
(protection according  
to DIN EN 292 part 2)  
"Safety of machines"

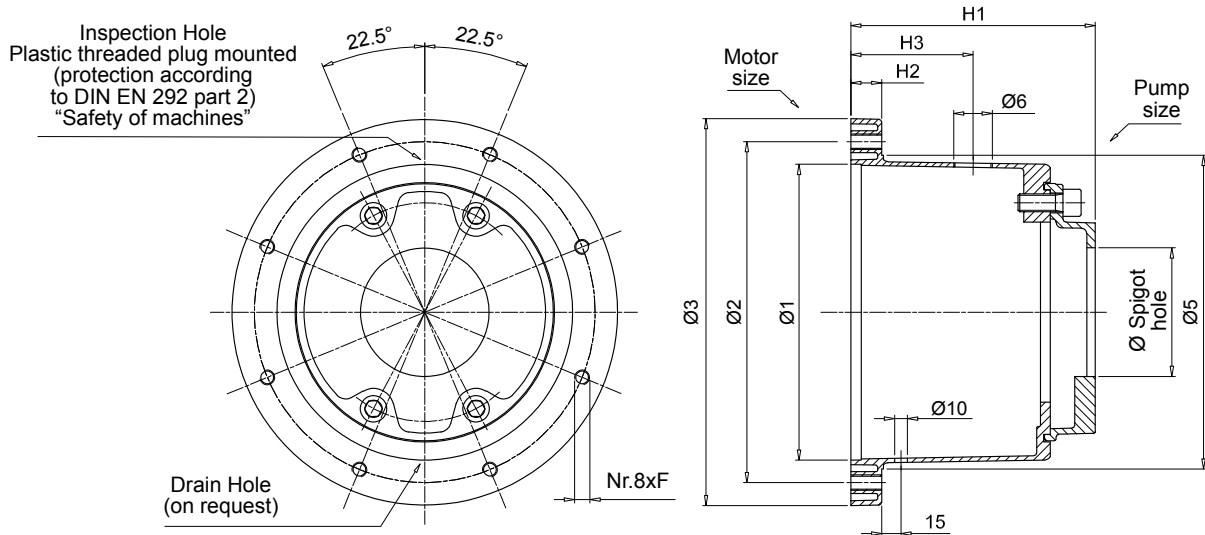


IEC - Electric motors		Bell-housing code	Dimensions [mm]								On request		Ø spigot hole Minimum [mm]	Weight [kg]	
Motor size	Shaft end [Ø x L]		Ø1	Ø2	Ø3	Ø4	Ø5	H1	H2	F	P	H3			Ø6
225	60x140	<b>LMC450AFSZ***</b>	350	400	450	320	350	250	31	M16	-	175	1 1/2"	80	9.00
250	65x140	<b>LMC550AFSN***</b>	450	500	550	-	-	265	31	M16	-	175	1 1/2"	100	15.00
280	75x140	<b>LMC550AFSO***</b>	450	500	550	-	-	310	35	M16	-	175	1 1/2"	100	17.00
315	80x170	<b>LMC660AFSP***</b>	550	600	660	-	-	295	45	M20	-	175	1 1/2"	100	27.00
		<b>LMC660AFSS***</b>	550	600	660	-	-	325	45	M20	-	175	1 1/2"	100	31.00

## Dimensions



IEC - Electric motors		Bell-housing code	Dimensions [mm]								On request		Ø spigot hole Minimum [mm]	Weight [kg]
Motor size	Shaft end [Ø x L]		Ø1	Ø2	Ø3	Ø5	H1	H2	F	P	H3	Ø6		
80	19x40	<b>LDC200AFRB***</b>	130	165	200	135	125	18	M10	11	60	3/4"	50	1.85
90	24x50	<b>LDC200AFRC***</b>	130	165	200	135	133	18	M10	11	60	3/4"	50	1.95
		<b>LDC200AFRD***</b>	130	165	200	135	158	18	M10	11	75	3/4"	50	2.10
110 - 112	28x60	<b>LDC250AFRC***</b>	180	215	250	186	169	19	M12	14	100	3/4"	50	2.75
		<b>LDC300AFRC***</b>	230	265	300	235	185	23	M12	14	95	3/4"	50	4.60
132	38x80	<b>LDC300AF5A***</b>	230	265	300	235	190	23	M12	14	95	3/4"	80	4.50
		<b>LDC300AF5B***</b>	230	265	300	235	181	23	M12	14	95	3/4"	80	4.80
160	42x110	<b>LDC350AF6A***</b>	250	300	350	254	239	31	M16	18	115	1"	80	6.80
180	48x110	<b>LDC350AF6B***</b>	250	300	350	254	252	31	M16	18	115	1"	80	7.30
		<b>LDC400AF5A***</b>	300	350	400	305	246	31	M16	18	125	1 1/2"	80	7.50
200	55x110	<b>LDC400AF5B***</b>	300	350	400	305	234	31	M16	18	125	1 1/2"	80	7.90
		<b>LDC400AF6A***</b>	300	350	400	305	246	31	M16	18	125	1 1/2"	80	8.50
		<b>LDC400AF6B***</b>	300	350	400	305	260	31	M16	18	125	1 1/2"	80	9.00



IEC - Electric motors		Bell-housing code	Dimensions [mm]							On request		Ø spigot hole Minimum [mm]	Weight [kg]	
Motor size	Shaft end [Ø x L]		Ø1	Ø2	Ø3	Ø5	H1	H2	F	P	H3			Ø6
225	60x140	<b>LDC450AF6A***</b>	350	400	450	350	295	31	M16	-	175	1 1/2"	80	11.20
		<b>LDC450AF6B***</b>	350	400	450	350	308	31	M16	-	175	1 1/2"	80	11.60

### Comparative table

MP Filtri code	KTR code	OMT code	Raja code	Hydrapp code
<b>LMC200A***</b>	PK200/3/...	TH20A***	R200/99-115/...	-
<b>LMC200A***</b>	PL200/8/...	TH1***	R200/120-135/...	HLC1
<b>LMC250A***</b>	PL250/6/...	TH2***	R250/120-135/...	HLC3
<b>LMC300A***</b>	PL300/4/...	TH3***	R300/155-170/...	HLC5
<b>LMC350A***</b>	PK350/4/...	TH4***	R350/173-194/...	HLC8
<b>LMC400A***</b>	PK400/4/...	TH15***	R400/194-210/...	HLC12
<b>LMC450A***</b>	PK450/4/...	TH18***	R450/250-210/...	-
<b>LMC550A***</b>	PK550/4/...	TH19***	R550/250-210/...	-
<b>LMC660A***</b>	PK660/4/...	TH20***	R660/250-210/...	-

#### Note:

The above table is guideline only.  
Not all bell-housings are fully interchangeable.



# LMS/LDS series

IEC electric motor range from size 100 up to size 315



## Technical data

**Bell-Housing - IEC electric motor range from size 100 up to size 315****Materials**

- Motor base bell-housing: Pressure die-cast aluminium alloy
- Pump flange: Pressure die-cast aluminium alloy
- Internal ring: Pressure die-cast aluminium alloy
- Damping ring: Vulcanized aluminium + NBR 75 Shore A

**Compatibility with fluids**

Modular bell-housing components compatible for use with:

- Mineral oils types HH-HL-HM-HR-HV, to ISO 6743/4 standard
- Water based emulsions types HFAE-HFAS, to ISO 6743/4 standard
- Water glycol type HFC, to ISO 6743/4 standard: ask for anodized version

**Special Applications**

Any applications not covered by the normal indications contained in this catalogue must be evaluated and approved by MP Filtri Technical and Sales Department

**Temperature**

From -30 °C to +80 °C

**Note**

For temperatures outside this range, contact MP Filtri Technical and Sales Department





Range

Bell-Housing size	Flange ISO 3019-2							IEC Motors size
	50 B2-B4	63 B2-B4	80 B2-B4	100 B2-B4	125 B2-B4	160 B2-B4	200 B2-B4	
LMS250	●	●	●	●	●			IEC 100 Ø250 - Ø28x60
LMS250	●	●	●	●	●			IEC 112 Ø250 - Ø28x60
LMS300			●	●	●	●		IEC 132 Ø300 - Ø38x80
LMS350			●	●	●	●		IEC 160 Ø350 - Ø42x110
LMS350			●	●	●	●	●	IEC 180 Ø350 - Ø48x110
LMS400			●	●	●	●	●	IEC 200 Ø400 - Ø55x110
LMS450			●	●	●	●	●	IEC 225 Ø450 - Ø60x140
LMS550					●	●	●	IEC 250 Ø550 - Ø65x140
LMS550					●	●	●	IEC 280 Ø550 - Ø75x140
LMS660					●	●	●	IEC 315 Ø660 - Ø80x170

Bell-Housing size	Flange SAE J 744									IEC Motors size	
	50-2 (A-A)	82-2 (A)	101-2 (B)	127-2 (C)	152-2 (D)	165-2 (E)	101-4 (B)	127-4 (D)	152-4 (D)		165-4 (E)
LMS250	●	●	●				●				IEC 100 Ø250 - Ø28x60
LMS250	●	●	●	●			●				IEC 112 Ø250 - Ø28x60
LMS300		●	●	●			●	●			IEC 132 Ø300 - Ø38x80
LMS350		●	●	●			●	●			IEC 160 Ø350 - Ø42x110
LMS350		●	●	●	●		●	●	●		IEC 180 Ø350 - Ø48x110
LMS400		●	●	●	●	●	●	●	●	●	IEC 200 Ø400 - Ø55x110
LMS450			●	●	●	●		●	●	●	IEC 225 Ø450 - Ø60x140
LMS550				●	●	●		●	●	●	IEC 250 Ø550 - Ø65x140
LMS550				●	●	●		●	●	●	IEC 280 Ø550 - Ø75x140
LMS660				●	●	●		●	●	●	IEC 315 Ø660 - Ø80x170

# LMS/LDS

## Designation & Ordering code

### LMS

#### Bell-Housing series and size

Configuration example: 

LMS250AFSA	070	DI
------------	-----	----

LMS250AFSA	LMS400AFSL
LMS250AFSB	LMS400AFSM
LMS300AFSC	LMS400AFSN
LMS300AFSD	LMS450AFSO
LMS300AFSE	LMS550AFSP
LMS350AFSF	LMS550AFSR
LMS350AFSG	LMS660AFST
LMS350AFSH	

#### Pump interface codes

070 See page 56

#### Options

DI	Drain hole + inspection hole
FR	Holes rotated through 45° in relation to standard position
DP	Double set of hole
AN	Black anodized finish
SA	Clearance holes at motor interface
Pxx	Customer specification

### LDS

#### Bell-Housing series and size

Configuration example: 

LDS250AFRA	070	DI
------------	-----	----

LDS250AFRA	LDS450AF6A
LDS250AFBB	LDS550AF6A
LDS250AFRE	LDS660AF6A
LDS300AFRB	
LDS300AFRC	
LDS300AF5G	
LDS350AF5A	
LDS400AF6A	

#### Pump interface codes

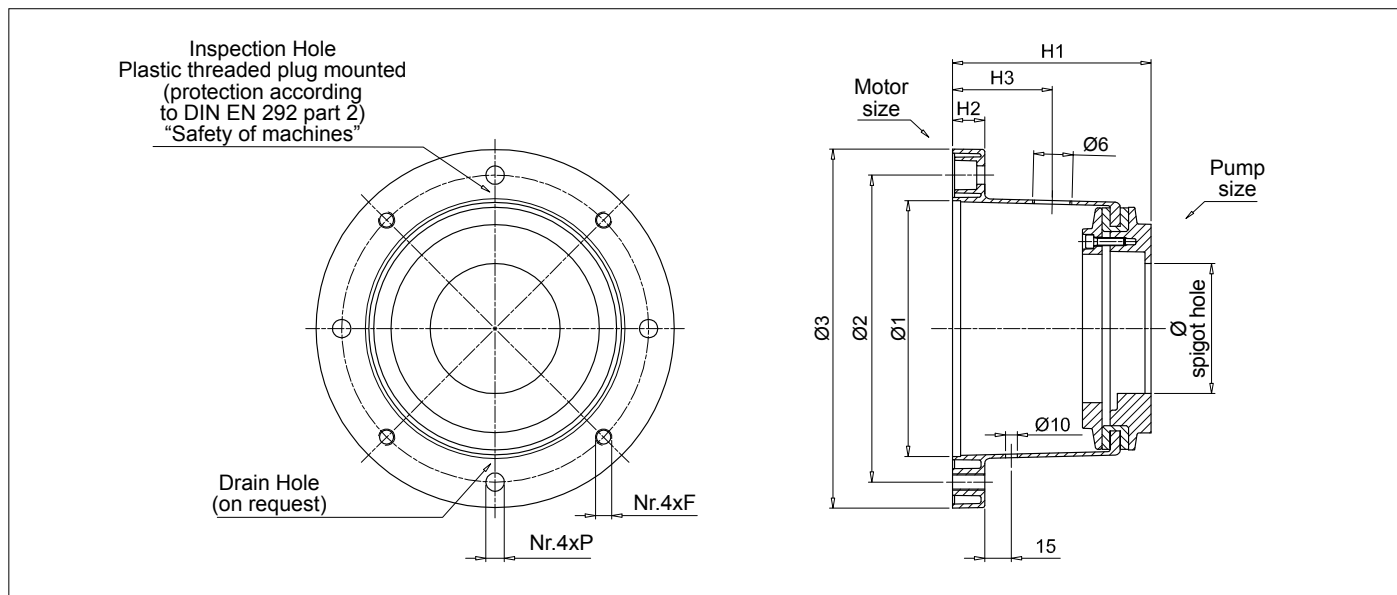
070 See page 56

#### Options

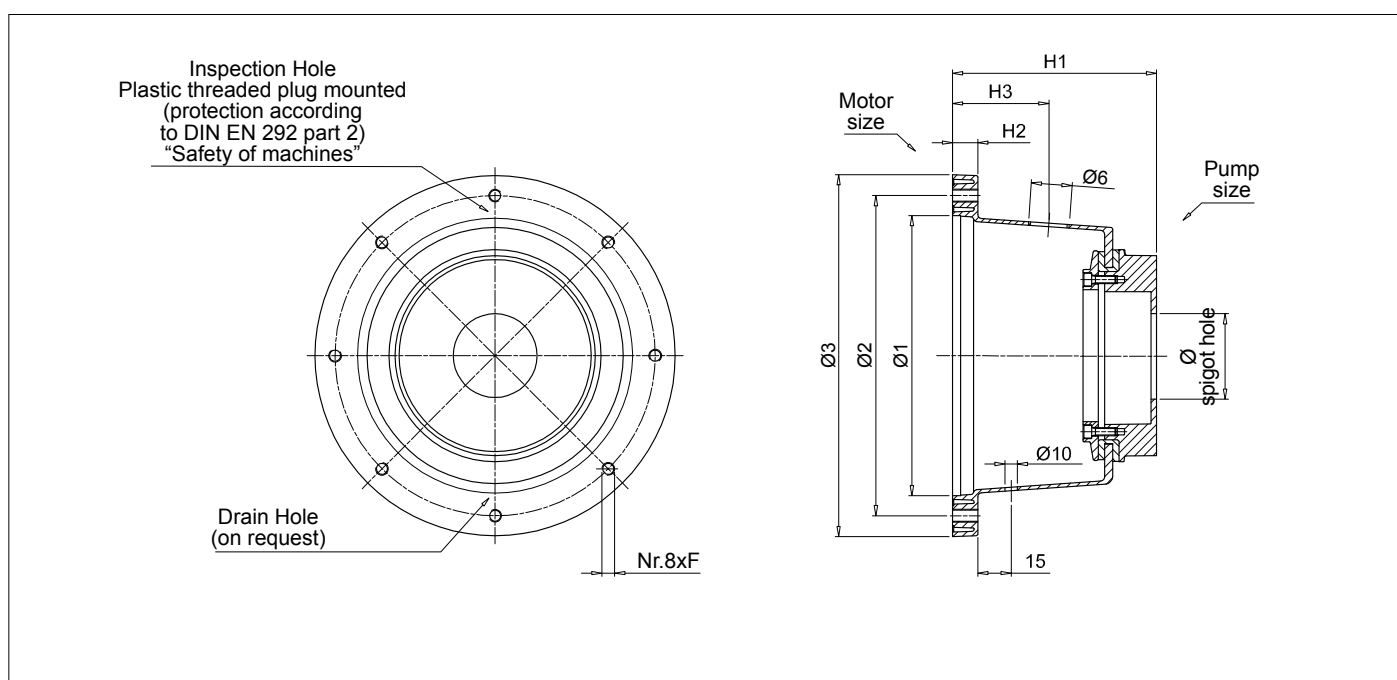
DI	Drain hole + inspection hole
FR	Holes rotated through 45° in relation to standard position
DP	Double set of hole
AN	Black anodized finish
SA	Clearance holes at motor interface
Pxx	Customer specification

#### Note:

- Bell-housings with DI options are supplied complete with threaded closure plug.
- For customization features other than those indicated on this page, contact MP Filtri Technical and Sales Department.

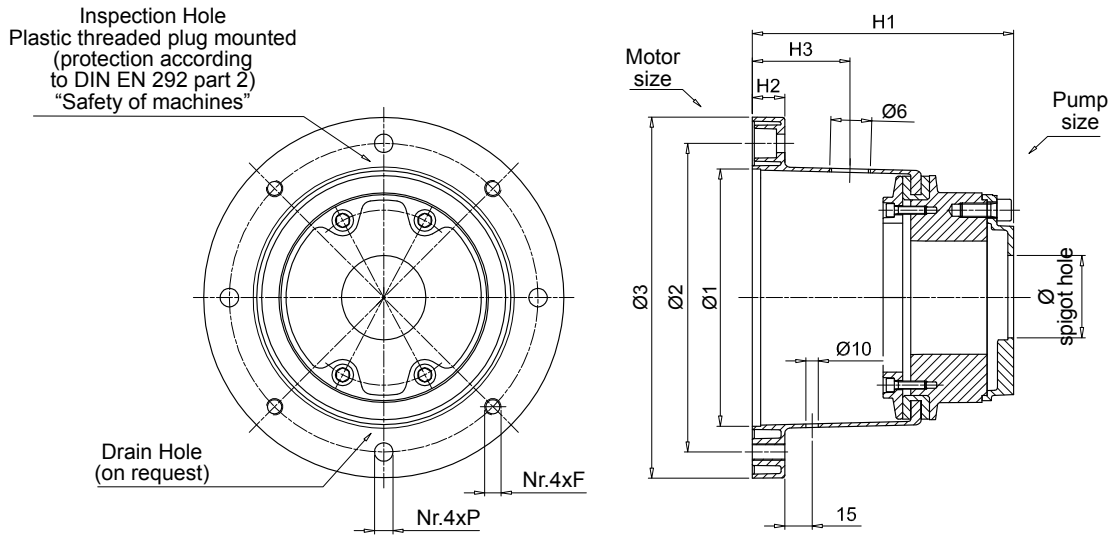


IEC - Electric motors		Bell-housing code	Dimensions [mm]							On request		Ø spigot hole Minimum [mm]	Weight [kg]
Motor size	Shaft end [Ø x L]		Ø1	Ø2	Ø3	H1	H2	F	P	H3	Ø6		
100 - 112	28x60	<b>LMS250AFSA***</b>	180	215	250	128	19	M12	14	75	3/4"	50	3.72
		<b>LMS250AFSB***</b>	180	215	250	148	19	M12	14	75	3/4"	50	4.10
132	38x80	<b>LMS300AFSC***</b>	230	265	300	155	23	M12	14	80	3/4"	50	4.20
		<b>LMS300AFSD***</b>	230	265	300	168	23	M12	14	80	3/4"	80	4.45
		<b>LMS300AFSE***</b>	230	265	300	194	23	M12	14	80	3/4"	80	6.51
160 180	42x110 48x110	<b>LMS350AFSF***</b>	250	300	350	204	31	M16	18	95	1"	80	6.80
		<b>LMS350AFSG***</b>	250	300	350	228	31	M16	18	95	1"	80	7.10
		<b>LMS350AFSH***</b>	250	300	350	204	31	M16	18	95	1"	80	8.51
200	55x110	<b>LMS400AFSL***</b>	300	350	400	228	31	M16	18	125	1 1/2"	80	8.80
		<b>LMS400AFSM***</b>	300	350	400	256	31	M16	18	125	1 1/2"	80	9.10
		<b>LMS400AFSN***</b>	300	350	400	240	31	M16	18	125	1 1/2"	80	11.61

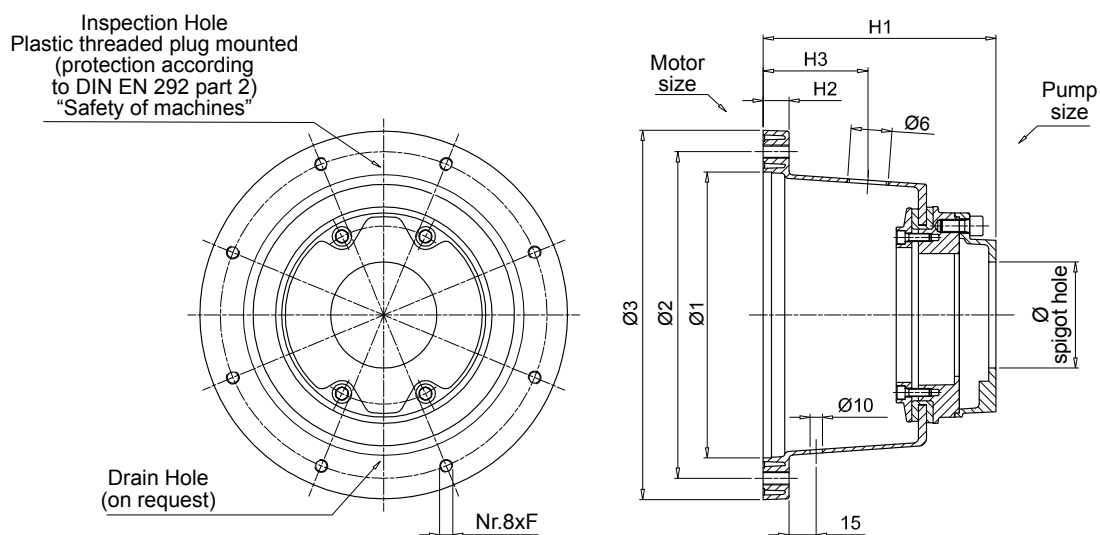


IEC - Electric motors		Bell-housing code	Dimensions [mm]							On request		Ø spigot hole Minimum [mm]	Weight [kg]
Motor size	Shaft end [Ø x L]		Ø1	Ø2	Ø3	H1	H2	F	P	H3	Ø6		
225	60x140	<b>LMS450AFS0***</b>	350	400	450	255	31	M16	-	175	1 1/2"	80	12.1
250	65x140	<b>LMS550AFSP***</b>	450	500	550	255	31	M16	-	176	1 1/2"	80	15.2
280	75x140	<b>LMS550AFSR***</b>	450	500	550	270	31	M16	-	177	1 1/2"	80	15.9
315	80x170	<b>LMS660AFST***</b>	550	600	660	305	42	M20	-	179	1 1/2"	80	20.2

## Dimensions



IEC - Electric motors		Bell-housing code	Dimensions [mm]							On request		Ø spigot hole Minimum [mm]	Weight [kg]
Motor size	Shaft end [Ø x L]		Ø1	Ø2	Ø3	H1	H2	F	P	H3	Ø6		
100 - 112	28x60	<b>LDS250AFRA***</b>	180	215	250	158	19	M12	14	75	3/4"	50	3.97
		<b>LDS250AFRB***</b>	180	215	250	165	19	M12	14	75	3/4"	50	4.10
		<b>LDS250AFRE***</b>	180	215	250	173	19	M12	14	75	3/4"	50	4.70
132	38x80	<b>LDS300AFRB***</b>	230	265	300	185	23	M12	14	80	3/4"	50	4.75
		<b>LDS300AFRC***</b>	230	265	300	188	23	M12	14	80	3/4"	80	4.85
		<b>LDS300AF5G***</b>	230	265	300	232	23	M12	14	80	3/4"	80	6.70
160 180	42x110 48x110	<b>LDS350AF5A***</b>	250	300	350	254	31	M16	18	95	1"	80	8.10
200	55x110	<b>LDS400AF6A***</b>	300	350	400	288	31	M16	18	125	1 1/2"	80	10.00



IEC - Electric motors		Bell-housing code	Dimensions							On request		Ø spigot hole Minimum [mm]	Weight [kg]
Motor size	Shaft end [Ø x L]		Ø1	Ø2	Ø3	H1	H2	F	P	H3	Ø6		
225	60x140	<b>LDS450AF6A***</b>	350	400	450	287	31	M16	-	175	1 1/2"	80	14.10
250	65x140	<b>LDS550AF6A***</b>	450	500	550	300	31	M16	-	176	1 1/2"	80	17.20
280	75x140												
315	80x170	<b>LDS660AF6A***</b>	550	600	660	335	42	M20	-	179	1 1/2"	80	23.00

### Comparative table

MP Filtri code	KTR code	OMT code	Raja code
<b>LMS250A***</b>	PK+D150/190	BS251***	R250***DF
<b>LMS300A***</b>	PK+D150/190	BS300***	R300***DF
<b>LMS350A***</b>	PK+D150/D190/D230/260	BS350***	R350***DF
<b>LMS400A***</b>	PK+/D190/D230/260	BS400***	R400***DF
<b>LMS450A***</b>	PK+/D190/D230/260D/D330	BS451***	R450***DF
<b>LMS550A***</b>	PK+/D190/D230/260D/D330	BS551***	R550***DF
<b>LMS660A***</b>	PK+/D190/D230/260D/D330	BS661***	R660***DF

#### Note:

The above table is guideline only.

Not all bell-housings are fully interchangeable.



# MULTI-COMPONENTS

IEC electric motor range from size 132 up to size 355



## Technical data

### Modular Bell-Housing Components - IEC electric motor range from size 132 up to size 355

#### Materials

- Base module: Pressure die-cast aluminium alloy
- Pump flange: Aluminium alloy
- Intermediate adapter: Aluminium alloy.
- Screw kit: Steel
- Gaskets: Special paper (Guarnital)

#### Compatibility with fluids

Modular bell-housing components compatible for use with:

- Mineral oils types HH-HL-HM-HR-HV, to ISO 6743/4 standard
- Water based emulsions types HFAE-HFAS, to ISO 6743/4 standard
- Water glycol type HFC, to ISO 6743/4 standard: ask for anodized version

#### Special Applications

Any applications not covered by the normal indications contained in this catalogue must be evaluated and approved by MP Filtri Technical and Sales Department

#### Temperature

From -30 °C to +80 °C

#### Note

For temperatures outside this range, contact MP Filtri Technical and Sales Department





# GENERAL INFORMATION MULTI-COMPONENTS

BMC

Bell-Housing size	Flange ISO 3019-2							IEC Motors size	
	50 B2-B4	63 B2-B4	80 B2-B4	100 B2-B4	125 B2-B4	160 B2-B4	200 B2-B4		
<b>BMC200</b>	●	●	●	●				<b>IEC 80 Ø200 - Ø19x40</b>	
<b>BMC200</b>	●	●	●	●				<b>IEC 90 Ø200 - Ø24x50</b>	
<b>BMC250</b>	●	●	●	●	●			<b>IEC 100 Ø250 - Ø28x60</b>	
<b>BMC250</b>	●	●	●	●	●			<b>IEC 112 Ø250 - Ø28x60</b>	
<b>BMC300</b>			●	●	●	●		<b>IEC 132 Ø300 - Ø38x80</b>	
<b>BMC350</b>			●	●	●	●		<b>IEC 160 Ø350 - Ø42x110</b>	
<b>BMC350</b>			●	●	●	●	●	<b>IEC 180 Ø350 - Ø48x110</b>	
<b>BMC400</b>			●	●	●	●	●	<b>IEC 200 Ø400 - Ø55x110</b>	
<b>BMC450</b>			●	●	●	●	●	<b>IEC 225 Ø450 - Ø60x140</b>	

Bell-Housing size	Flange SAE J 744										IEC Motors size	
	50-2 (A-A)	82-2 (A)	101-2 (B)	127-2 (C)	152-2 (D)	165-2 (E)	101-4 (B)	127-4 (D)	152-4 (D)	165-4 (E)		
<b>BMC200</b>	●	●									<b>IEC 80 Ø200 - Ø19x40</b>	
<b>BMC200</b>	●	●									<b>IEC 90 Ø200 - Ø24x50</b>	
<b>BMC250</b>	●	●	●				●				<b>IEC 100 Ø250 - Ø28x60</b>	
<b>BMC250</b>	●	●	●	●			●				<b>IEC 112 Ø250 - Ø28x60</b>	
<b>BMC300</b>		●	●	●			●	●			<b>IEC 132 Ø300 - Ø38x80</b>	
<b>BMC350</b>		●	●	●			●	●			<b>IEC 160 Ø350 - Ø42x110</b>	
<b>BMC350</b>		●	●	●	●		●	●	●		<b>IEC 180 Ø350 - Ø48x110</b>	
<b>BMC400</b>		●	●	●	●	●	●	●	●	●	<b>IEC 200 Ø400 - Ø55x110</b>	
<b>BMC450</b>			●	●	●	●	●	●	●	●	<b>IEC 225 Ø450 - Ø60x140</b>	

BMT

Bell-Housing size	Flange ISO 3019-2							IEC Motors size	
	50 B2-B4	63 B2-B4	80 B2-B4	100 B2-B4	125 B2-B4	160 B2-B4	200 B2-B4		
<b>BMT300</b>			●	●	●	●		<b>IEC 132 Ø300 - Ø38x80</b>	
<b>BMT350</b>			●	●	●	●		<b>IEC 160 Ø350 - Ø42x110</b>	
<b>BMT350</b>			●	●	●	●	●	<b>IEC 180 Ø350 - Ø48x110</b>	
<b>BMT400</b>			●	●	●	●	●	<b>IEC 200 Ø400 - Ø55x110</b>	
<b>BMT450</b>			●	●	●	●	●	<b>IEC 225 Ø450 - Ø60x140</b>	
<b>BMT550</b>					●	●	●	<b>IEC 250 Ø550 - Ø65x140</b>	
<b>BMT550</b>					●	●	●	<b>IEC 280 Ø550 - Ø75x140</b>	
<b>BMT660</b>					●	●	●	<b>IEC 315 Ø660 - Ø80x170</b>	
<b>BAD800</b>					●	●	●	<b>IEC 355 Ø800 - Ø95x210</b>	

Bell-Housing size	Flange SAE J 744										IEC Motors size	
	50-2 (A-A)	82-2 (A)	101-2 (B)	127-2 (C)	152-2 (D)	165-2 (E)	101-4 (B)	127-4 (D)	152-4 (D)	165-4 (E)		
<b>BMT300</b>		●	●	●			●	●			<b>IEC 132 Ø300 - Ø38x80</b>	
<b>BMT350</b>		●	●	●			●	●			<b>IEC 160 Ø350 - Ø42x110</b>	
<b>BMT350</b>		●	●	●	●		●	●	●		<b>IEC 180 Ø350 - Ø48x110</b>	
<b>BMT400</b>		●	●	●	●	●	●	●	●	●	<b>IEC 200 Ø400 - Ø55x110</b>	
<b>BMT450</b>			●	●	●	●	●	●	●	●	<b>IEC 225 Ø450 - Ø60x140</b>	
<b>BMT550</b>				●	●	●	●	●	●	●	<b>IEC 250 Ø550 - Ø65x140</b>	
<b>BMT550</b>				●	●	●	●	●	●	●	<b>IEC 280 Ø550 - Ø75x140</b>	
<b>BMT660</b>				●	●	●	●	●	●	●	<b>IEC 315 Ø660 - Ø80x170</b>	
<b>BAD800</b>				●	●	●	●	●	●	●	<b>IEC 355 Ø800 - Ø95x210</b>	

# MULTI-COMPONENTS

## Designation & Ordering code

### BMC

<b>1 Motor base series and size</b>			Configuration example: <b>BMC200A1001</b>	<b>DI</b>
<b>BMC200A1001</b>	<b>BMC300A1551</b>	<b>BMC400A2016</b>		
<b>BMC200A1251</b>	<b>BMC300A1555</b>	<b>BMC450A2507</b>		
<b>BMC250A1141</b>	<b>BMC300A1705</b>			
<b>BMC250A1361</b>	<b>BMC350A1945</b>			
	<b>BMC350A1946</b>			
<b>BMT300A0805</b>	<b>BMT550A21567</b>			
<b>BMT350A1105</b>	<b>BMT660A25067</b>			
<b>BMT400A1106</b>	<b>BAD800A2707</b>			
<b>BMT450A1406</b>				

Options	
<b>DI</b>	Drain hole + inspection hole
<b>AN</b>	Black anodized finish
<b>SA</b>	Clearance holes at motor interface
<b>Pxx</b>	Customer specification

<b>2 Intermediate adapter series and size</b>		Configuration example: <b>AD60465</b>	<b>AN</b>
<b>AD60465</b>			
<b>AD50385</b>			
<b>AD60466</b>			
<b>AD50386</b>			
<b>AD50467</b>			
<b>AD60467</b>			

Options	
<b>AN</b>	Black anodized finish
<b>Pxx</b>	Customer specification

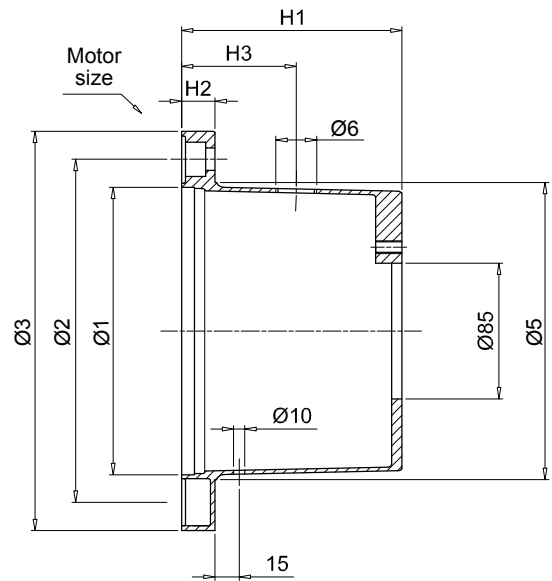
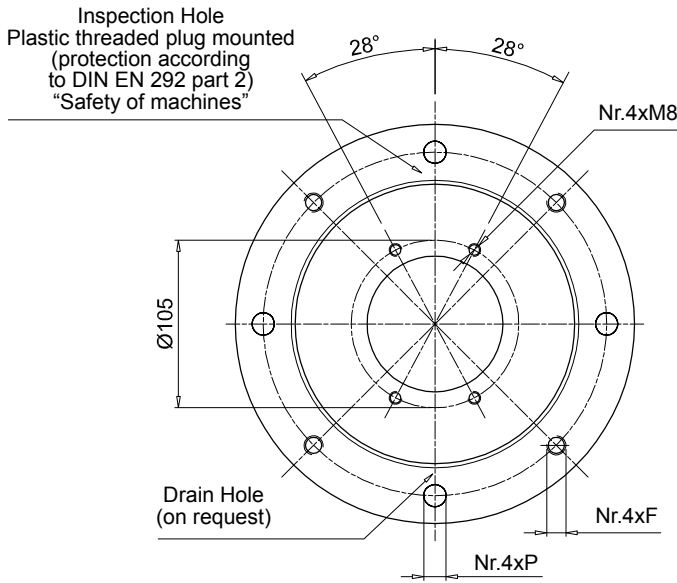
<b>3 Pump flange series and size</b>				Configuration example: <b>FP5026</b>	<b>070</b>	<b>AN</b>
<b>FR1023</b>	<b>FP5026</b>	<b>FP6032</b>	<b>FP7052</b>			
<b>FR1025</b>	<b>FP5032</b>	<b>FP6045</b>	<b>FP7066</b>			
<b>FR1033</b>	<b>FP5035</b>	<b>FP6058</b>	<b>FP7069</b>			
<b>FR1035</b>	<b>FP5045</b>	<b>FP6070</b>	<b>FP7086</b>			
<b>FR1040</b>	<b>FP5056</b>	<b>FP6082</b>	<b>FP70111</b>			
<b>FR1079</b>	<b>FP5063</b>	<b>FP6086</b>				
	<b>FP5091</b>	<b>FP60101</b>				
		<b>FP60110</b>				

Pump interface codes	
<b>070</b>	See page 56

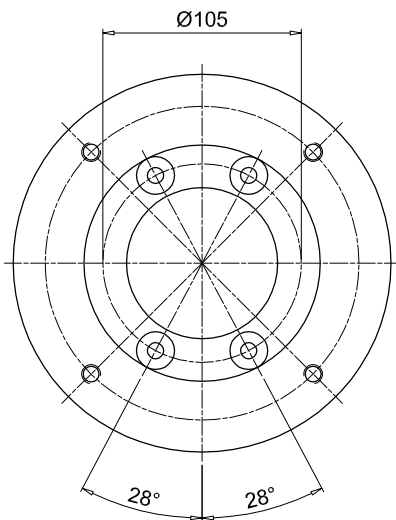
Options	
<b>FR</b>	Holes rotated through 45° in relation to standard position
<b>DP</b>	Double set of hole
<b>AN</b>	Black anodized finish
<b>Pxx</b>	Customer specification

Options	
Mounting kit code series and size	
<b>KVG1</b>	
<b>KVG5</b>	
<b>KVG6</b>	See page 107
<b>KVG7</b>	

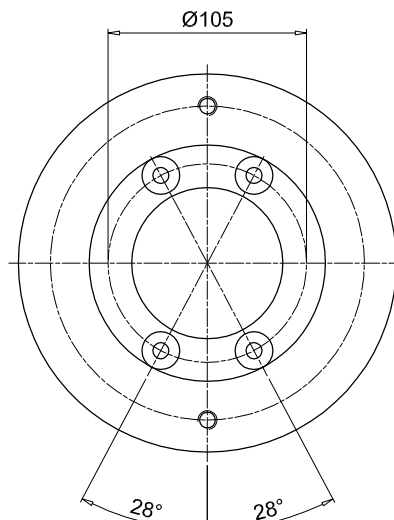
1



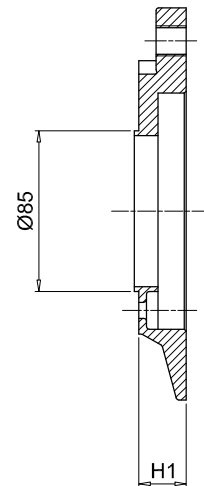
IEC - Electric motors		Motor base code	Dimensions [mm]								On request		Weight [kg]
Motor size	Shaft end [Ø x L]		Ø1	Ø2	Ø3	Ø5	H1	H2	F	P	H3	Ø6	
80	19x40	<b>BMC200A1001</b>	130	165	200	135	100	18	M10	11	60	3/4"	0.75
90	24x50	<b>BMC200A1251</b>	130	165	200	135	125	18	M10	11	75	3/4"	0.95
100-112	28x60	<b>BMC250A1141</b>	180	215	250	186	114	19	M12	14	80	3/4"	1.60
		<b>BMC250A1361</b>	180	215	250	186	138	19	M12	14	100	3/4"	1.60
132	38x80	<b>BMC300A1551</b>	230	265	300	235	155	23	M12	14	95	3/4"	3.30



4 Bolt Version



2 Bolt Version



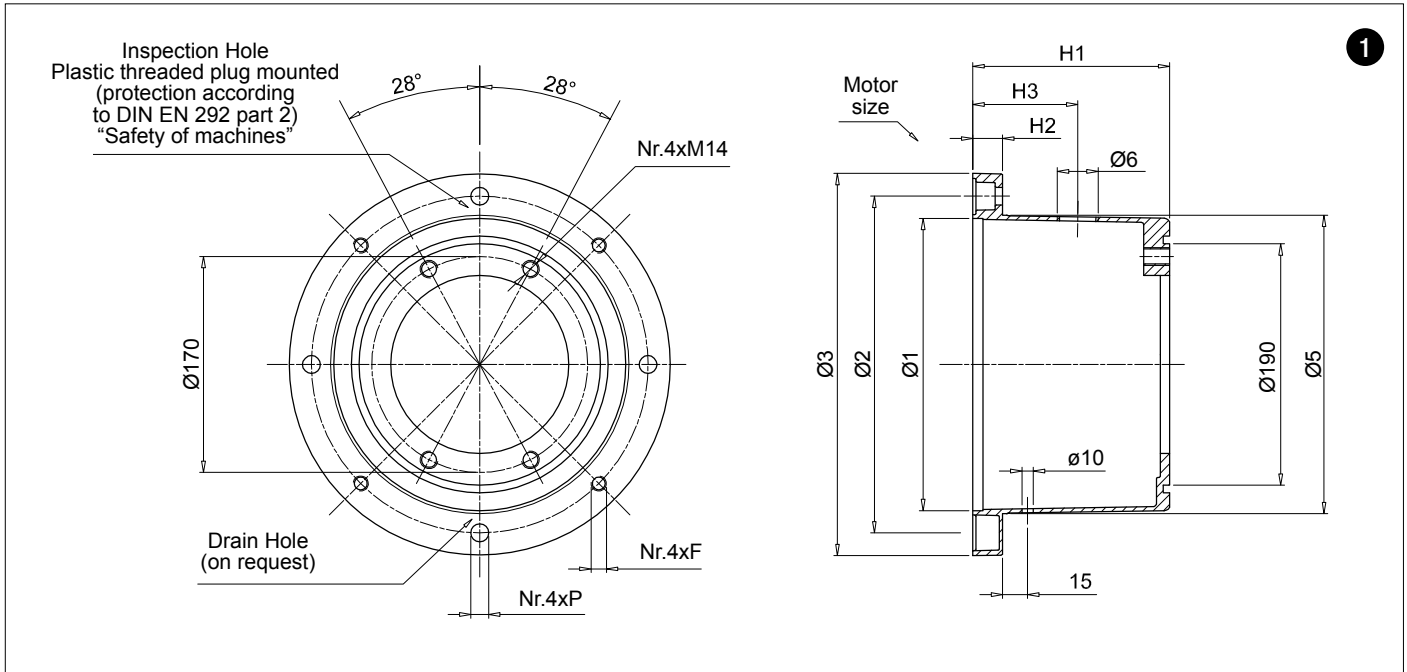
The codes on the chart must be used for dimensional checking only; the ordering codes for all components are available on the on-line software "Power Transmission Software" on the web site [www.mpfiltri.com](http://www.mpfiltri.com)

3

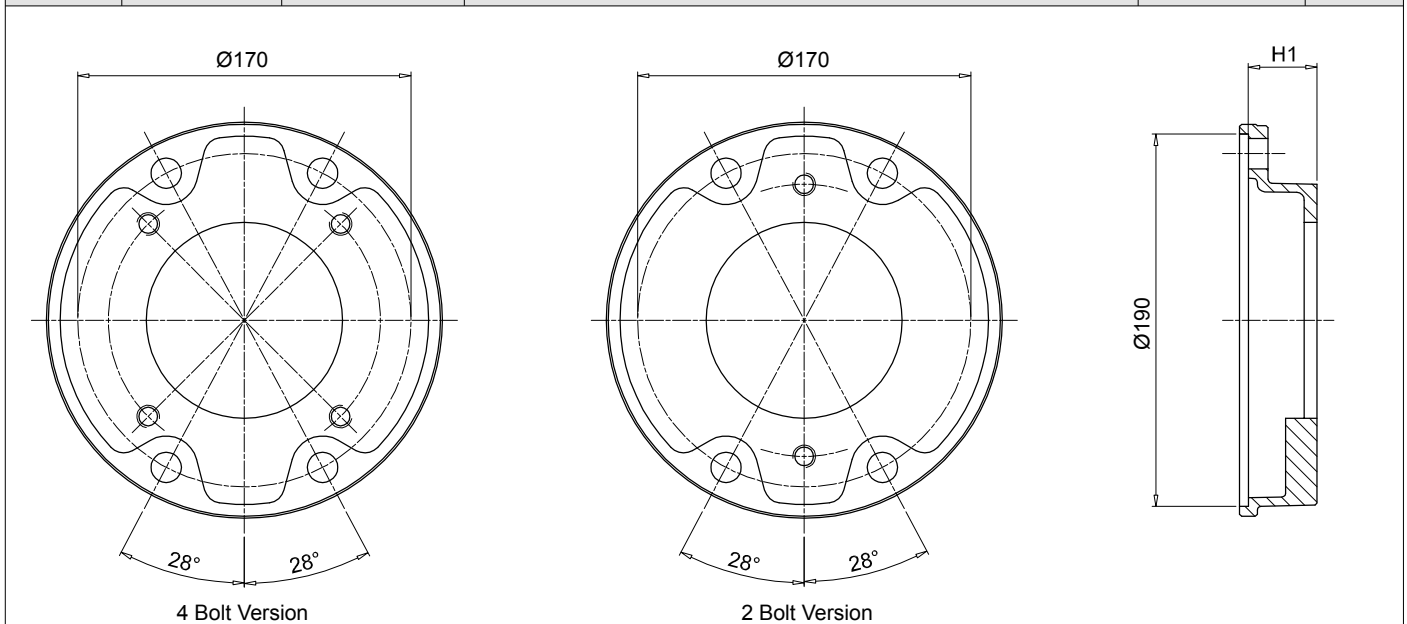
Pump flange code	H1	Mounting kit	Available pump interface		Weight [kg]
			2 Bolt	4 Bolt	
<b>FR1023***</b>	23	KVG1 See page 107	D042 - S061 - S063 - S083 - S023 - S070 - S071 - S082 - S075	S024 - S025 - S125 - S154	0.25
<b>FR1025***</b>	25		S080 - S082	S021 - S026 - S068 - S069	0.30
<b>FR1033***</b>	33		S023 - S070 - S071 - S072 - S074 S080 - S082	S021 - S026 - S027	0.80
<b>FR1035***</b>	35		S060 - S063 - S065	-	0.90
<b>FR1040***</b>	40		-	S098 - S227	1.10
<b>FR1079***</b>	79		-	S031	1.30

Pump flange code to be complete with available pump interface

Example: **FR1023S024**



IEC - Electric motors		Motor base code	Dimensions [mm]								On request		Weight [kg]
Motor size	Shaft end [Ø x L]		Ø1	Ø2	Ø3	Ø5	H1	H2	F	P	H3	Ø6	
132	38x80	<b>BMC300A1555</b>	230	265	300	235	155	23	M12	14	95	3/4"	3.3
		<b>BMC300A1705</b>	230	265	300	235	170	23	M12	14	110	3/4"	3.6
160	42x110	<b>BMC350A1785</b>	250	300	350	254	178	31	M16	18	100	1"	4.4
180	48x110	<b>BMC350A1945</b>	250	300	350	254	194	31	M16	18	115	1"	4.9



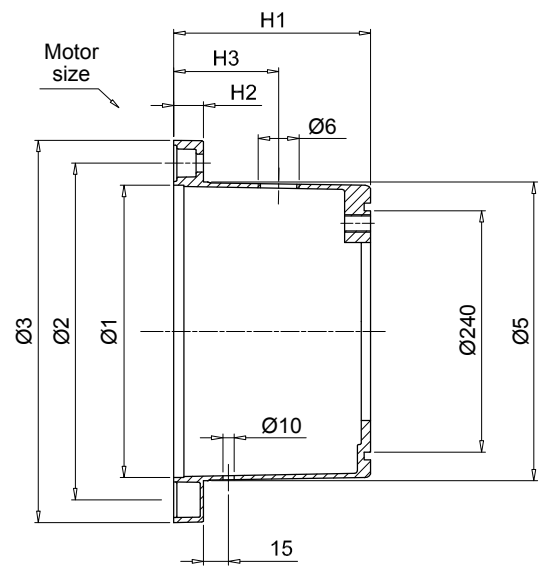
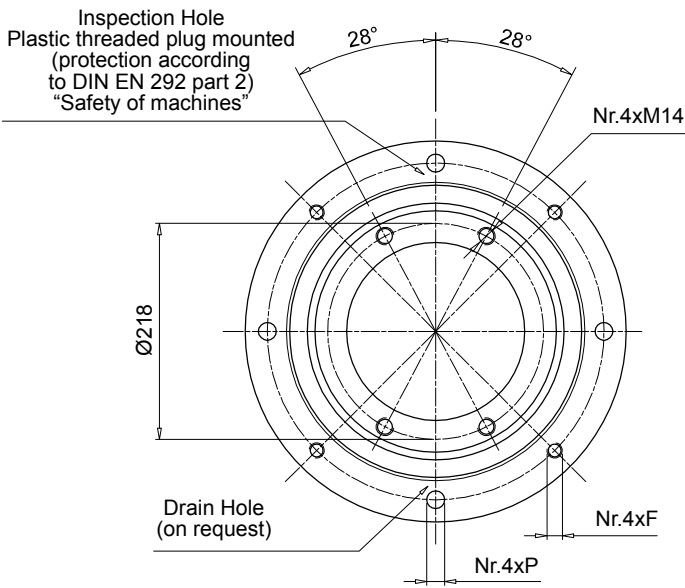
The codes on the chart must be used for dimensional checking only; the ordering codes for all components are available on the on-line software "Power Transmission Software" on the web site [www.mpfiltri.com](http://www.mpfiltri.com)

Pump flange code	H1	Mounting kit	Available pump interface		Weight [kg]
			2 Bolt	4 Bolt	
<b>FP5026***</b>	26	KVG5 See page 107	S023 - D042 - S063 - S070 - S072 S075	S024 - S024 - S033 - S125 - S154	1.0
<b>FP5032***</b>	32		-	S024 - S031 - S096 - S125	1.1
<b>FP5035***</b>	35		S023 - D042 - S063 - S070 - S072 - S075 - S060 - S072 - S074 - S075 - S106	S021 - S024 - S025 - S026 - S031 - S059 - S068 - S083 - S097 - S125 - S141	0.9
<b>FP5045***</b>	45		S060 - S070 - S071 - S072 - S074 - S075 - S106	S021 - S024 - S025 - S026 - S068 - S125 - S141	0.9
<b>FP5056***</b>	56		S072	S021 - S026	1.6
<b>FP5063***</b>	63		S070 - S079 - S138	S021 - S025 - S068 - S141	1.7
<b>FP5091***</b>	91		-	S025 - S031 - S033 - S113 - S267	2.2

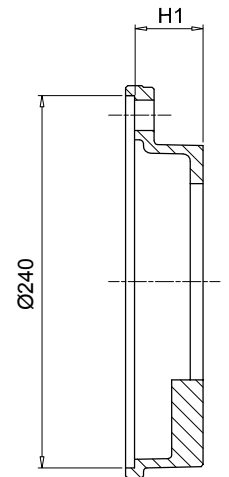
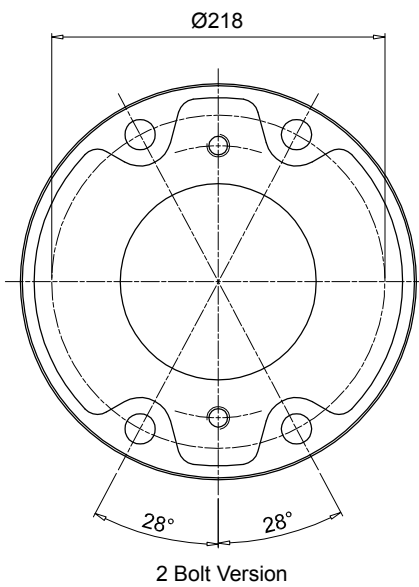
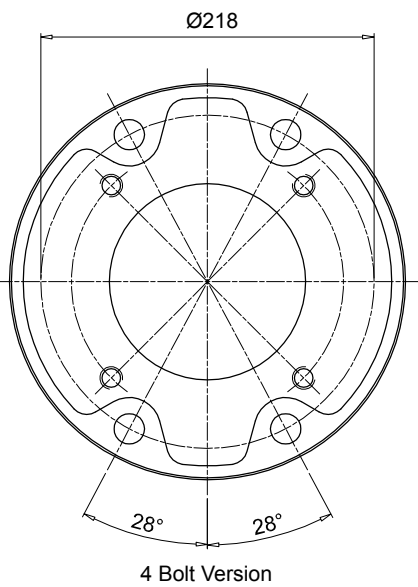
Pump flange code to be complete with available pump interface

Example: **FP5026S023**

1



IEC - Electric motors		Motor base code	Dimensions [mm]							On request		Weight [kg]	
Motor size	Shaft end [Ø x L]		Ø1	Ø2	Ø3	Ø5	H1	H2	F	P	H3		Ø6
160	42x110	<b>BMC350A1786</b>	250	300	350	254	178	31	M16	18	100	1"	4.4
180	48x110	<b>BMC350A1946</b>	250	300	350	254	194	31	M16	18	115	1"	1.9
200	55x110	<b>BMC400A2016</b>	300	350	400	305	201	31	M16	18	125	1 1/2"	6.9

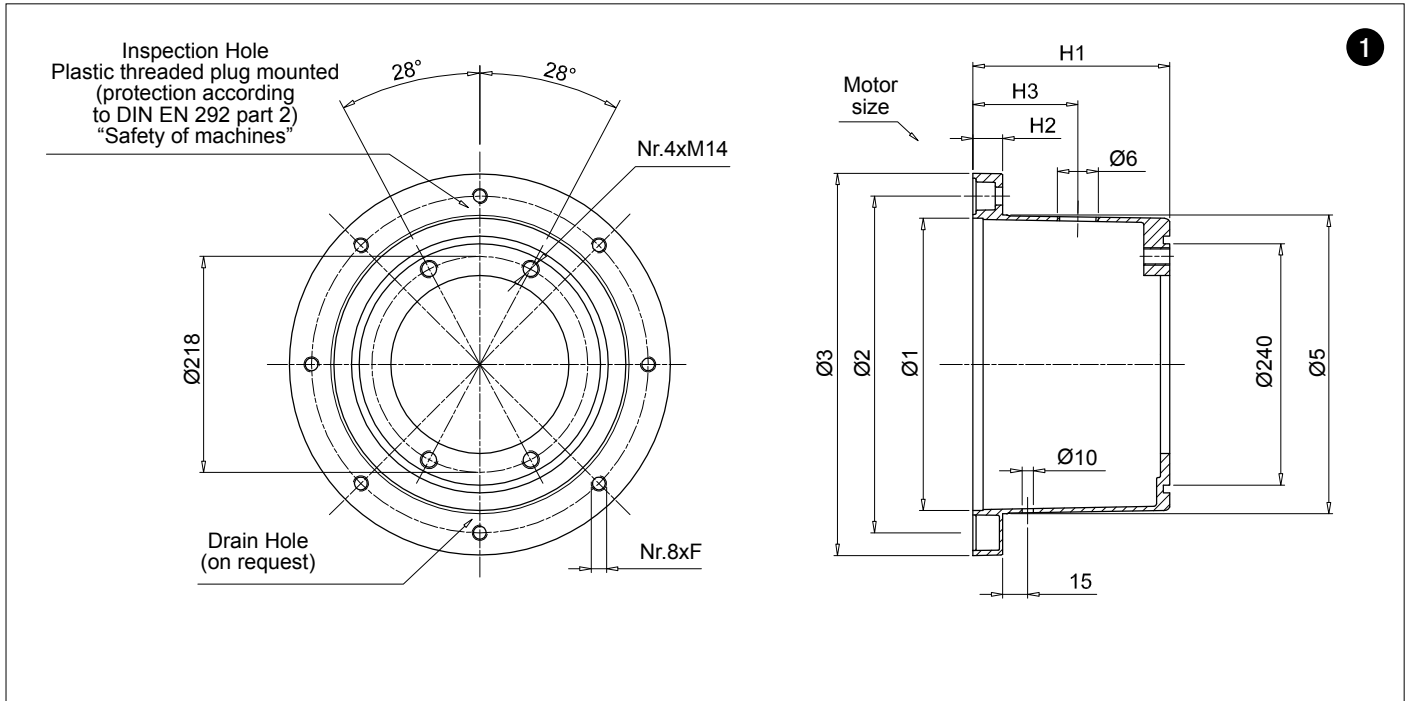


The codes on the chart must be used for dimensional checking only; the ordering codes for all components are available on the on-line software "Power Transmission Software" on the web site [www.mpfiltri.com](http://www.mpfiltri.com)

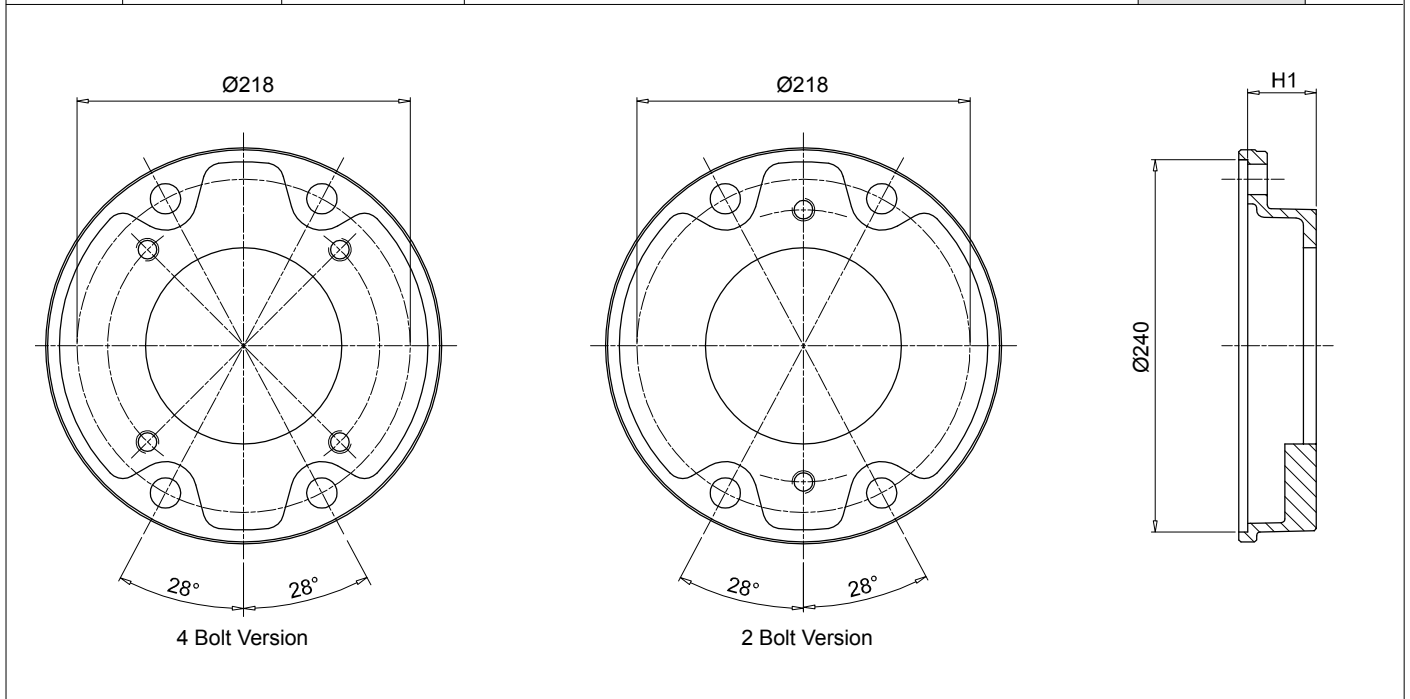
3

Pump flange code	H1	Mounting kit	Available pump interface		Weight [kg]
			2 Bolt	4 Bolt	
<b>FP6032***</b>	32	KVG6 See page 107	S081 - S082	S021 - S035	1.8
<b>FP6045***</b>	45		S070 - S075 - S080 - S081 - S082	S021 - S025 - S026 - S027 - S069 - S077 - S125 - S198 - S207 - S215 - S253	2.1
<b>FP6058***</b>	58		S079 - S080 - S081 - S082	S025 - S026 - S027 - S038 - S077 - S078 - S207 - S215 - S237	2.4
<b>FP6070***</b>	70		S080	-	3.0
<b>FP6082***</b>	82		S080 - S081	S038 - S141 - 198 - 215	3.3
<b>FP6086***</b>	86		S090 - S092 - S166 - S091	S021 - S026 - S027 - S077 - S078 - S114 - S132 - 198 - S200	3.4
<b>FP6101***</b>	101		-	S027 - S035 - S113 - S132 - S148 - S176 - S228	4.2
<b>FP6110***</b>	110		S080	S111	5.5

Pump flange code to be complete with available pump interface  
Example: **FP6032S021**



IEC - Electric motors		Motor base code	Dimensions [mm]								On request		Weight [kg]
Motor size	Shaft end [Ø x L]		Ø1	Ø2	Ø3	Ø5	H1	H2	F	P	H3	Ø6	
225	60x140	<b>BMC450A2506</b>	350	400	450	350	250	31	M16	-	175	1 1/2"	6.9



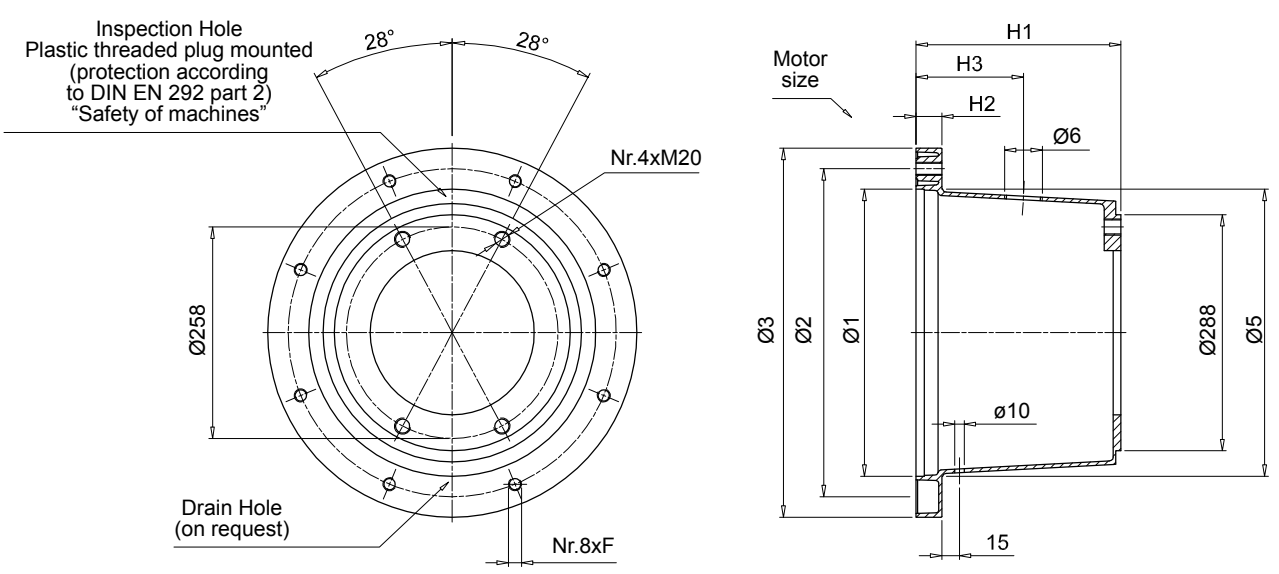
The codes on the chart must be used for dimensional checking only; the ordering codes for all components are available on the on-line software "Power Transmission Software" on the web site [www.mpfiltri.com](http://www.mpfiltri.com)

Pump flange code	H1	Mounting kit	Available pump interface		Weight [kg]
			2 Bolt	4 Bolt	
<b>FP6032***</b>	32	KVG6 See page 107	S081 - S082	S021 - S035	1.8
<b>FP6045***</b>	45		S070 - S075 - S080 - S081 - S082	S021 - S025 - S026 - S027 - S069 - S077 - S125 - S198 - S207 - S215 - S253	2.1
<b>FP6058***</b>	58		S079 - S080 - S081 - S082	S025 - S026 - S027 - S038 - S077 - S078 - S207 - S215 - S237	2.4
<b>FP6070***</b>	70		S080	-	3.0
<b>FP6082***</b>	82		S080 - S081	S038 - S141 - 198 - 215	3.3
<b>FP6086***</b>	86		S090 - S092 - S166 - S091	S021 - S026 - S027 - S077 - S078 - S114 - S132 - 198 - S200	3.4
<b>FP6101***</b>	101		-	S027 - S035 - S113 - S132 - S148 - S176 - S228	4.2
<b>FP6110***</b>	110		S080	S111	5.5

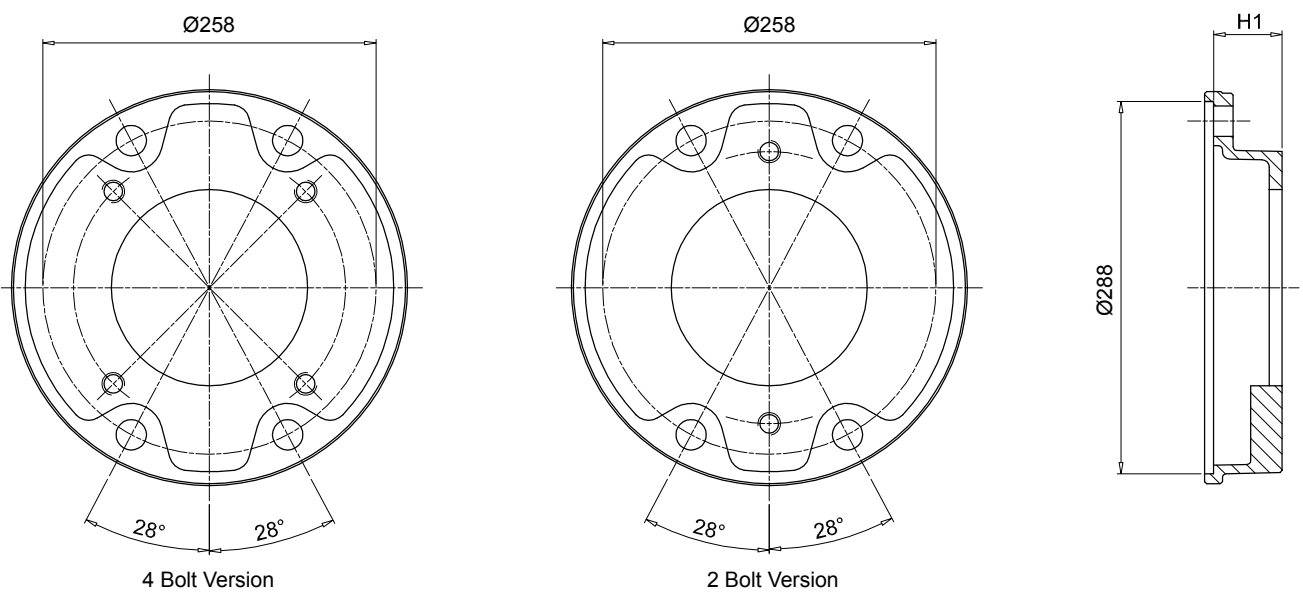
Pump flange code to be complete with available pump interface

Example: **FP6032S021**

1



IEC - Electric motors		Motor base code	Dimensions [mm]								On request		Weight [kg]
Motor size	Shaft end [Ø x L]		Ø1	Ø2	Ø3	Ø5	H1	H2	F	P	H3	Ø6	
225	60x140	<b>BMC450A2507</b>	350	400	450	350	250	31	M16	-	175	1 1/2"	6.9



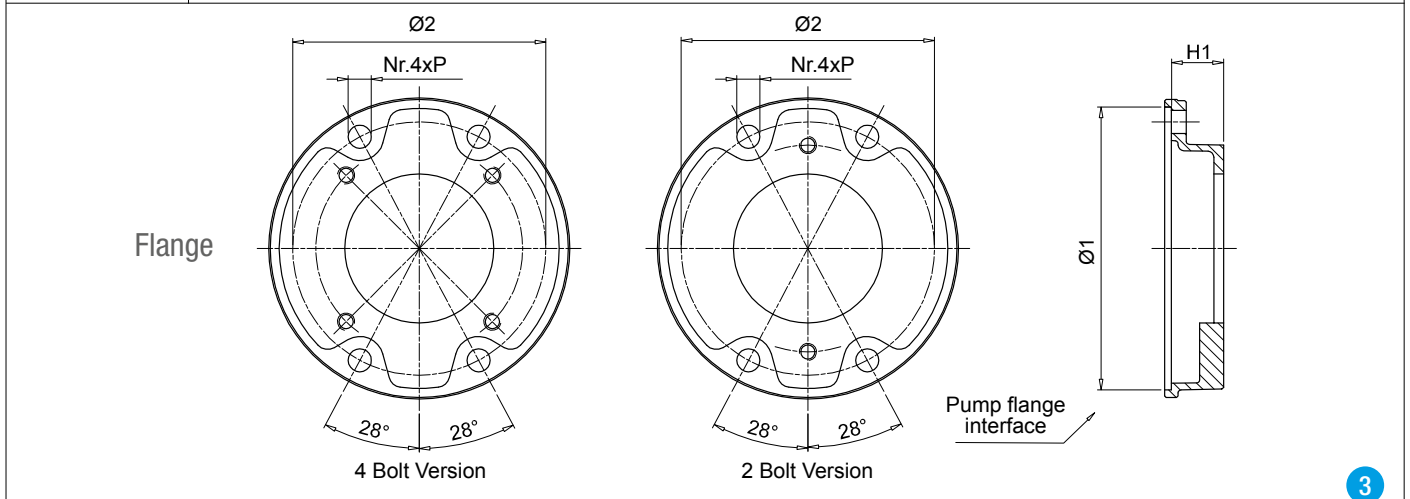
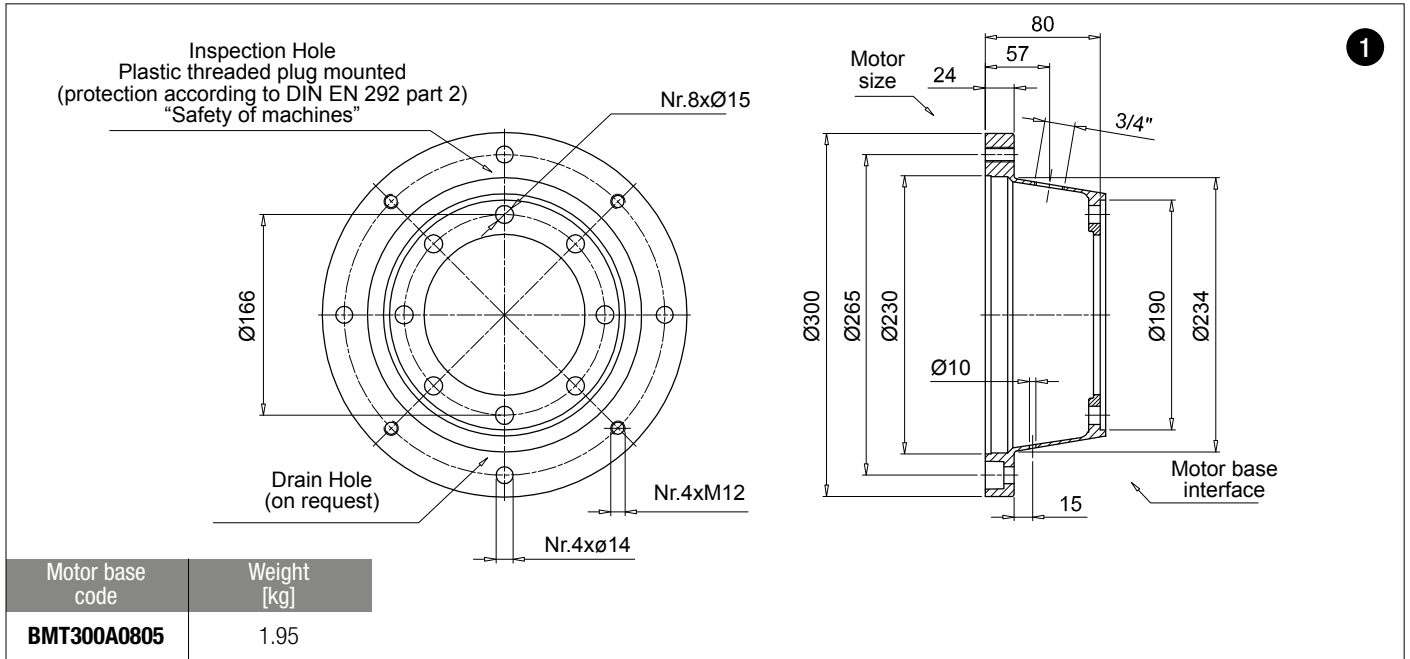
The codes on the chart must be used for dimensional checking only; the ordering codes for all components are available on the on-line software "Power Transmission Software" on the web site [www.mpfiltri.com](http://www.mpfiltri.com)

3

Pump flange code	H1	Mounting kit	Available pump interface		Weight [kg]
			2 Bolt	4 Bolt	
<b>FP7052***</b>	52	KVG7 See page 107	-	S028 - S108 - S112 - S133 - S192	4.4
<b>FP7066***</b>	66		S090 - S092 - S166	-	4.8
<b>FP7069***</b>	69		-	S108 - S143 - S148 - S192 - S201 - S204 - S281 - S282	4.9
<b>FP7086***</b>	86		S091 - S092 - S117 - S166	S022 - S027 - S028 - S108 - S112 - S184 - S192 - S201 - S228 - S300	5.2
<b>FP7111***</b>	111		S091 - S092 - S117 - S145	S028 - S108 - S112 - S133 - S184	6.3

Pump flange code to be complete with available pump interface  
 Example: **FP7052S028**





The codes on the chart must be used for dimensional checking only; the ordering codes for all components are available on the on-line software "Power Transmission Software" on the web site [www.mpfiltri.com](http://www.mpfiltri.com)

Pump flange code	H1	Ø1	Ø2	P	Mounting kit	Available pump interface		Weight [kg]
						2 Bolt	4 Bolt	
<b>FP5026***</b>	26	190	170	15	KVG5 See page 107	S023 - D042 - S063 - S070 - S072 S075	S024 - S024 - S033 - S125 - S154	1
<b>FP5032***</b>	32					-	S024 - S031 - S096 - S125	1.1
<b>FP5035***</b>	35					S023 - D042 - S063 - S070 - S072 - S075 - S060 - S072 - S074 - S075 - S106	S021 - S024 - S025 - S026 - S031 - S059 - S068 - S083 - S097 - S125 - S141	0.9
<b>FP5045***</b>	45					S060 - S070 - S071 - S072 - S074 - S075 - S106	S021 - S024 - S025 - S026 - S068 - S125 - S141	0.9
<b>FP5056***</b>	56					S072	S021 - S026	1.6
<b>FP5063***</b>	63					S070 - S079 - S138	S021 - S025 - S068 - S141	1.7
<b>FP5091***</b>	91	-	S025 - S031 - S033 - S113 - S267	2.2				
<b>FP6032***</b>	32	240	218	17	KVG6 See page 107	S081 - S082	S021 - S035	1.8
<b>FP6045***</b>	45					S070 - S075 - S080 - S081 - S082	S021 - S025 - S026 - S027 - S069 - S077 - S125 - S198 - S207 - S215 - S253	2.1
<b>FP6058***</b>	58					S079 - S080 - S081 - S082	S025 - S026 - S027 - S038 - S077 - S078 - S207 - S215 - S237	2.4
<b>FP6070***</b>	70					S080	-	3.0
<b>FP6082***</b>	82					S080 - S081	S038 - S141 - 198 - 215	3.3
<b>FP6086***</b>	86					S090 - S092 - S166 - S091	S021 - S026 - S027 - S077 - S078 - S114 - S132 - 198 - S200	3.4
<b>FP6101***</b>	101					-	S027 - S035 - S113 - S132 - S148 - S176 - S228	4.2
<b>FP6110***</b>	110					S080	S111	5.5
<b>FP7052***</b>	52	288	258	22	KVG7 See page 107	-	S028 - S108 - S112 - S133 - S192	4.4
<b>FP7066***</b>	66					S090 - S092 - S166	-	4.8
<b>FP7069***</b>	69					-	S108 - S143 - S148 - S192 - S201 - S204 - S281 - S282	4.9
<b>FP7086***</b>	86					S091 - S092 - S117 - S166	S022 - S027 - S028 - S108 - S112 - S184 - S192 - S201 - S228 - S300	5.2
<b>FP7111***</b>	111					S091 - S092 - S117 - S145	S028 - S108 - S112 - S133 - S184	6.3

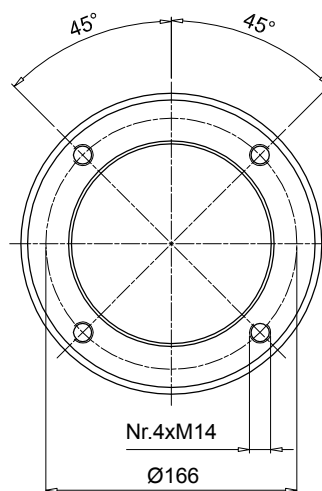
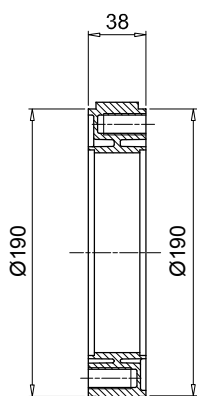
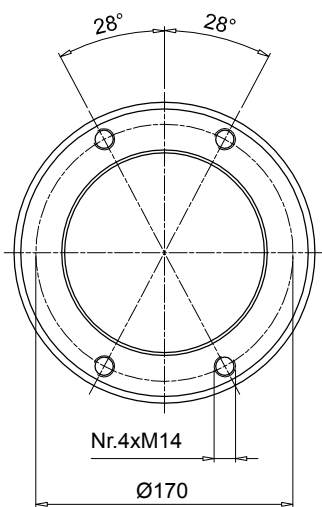
Pump flange code to be complete with available pump interface

Example: **FP6032S021**

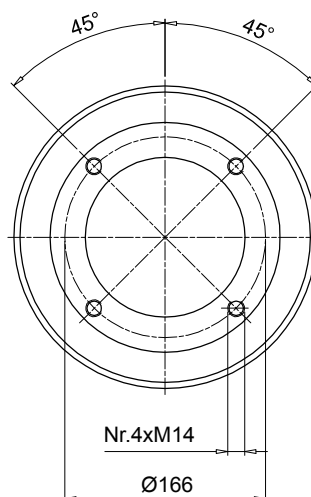
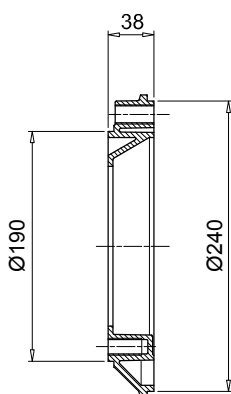
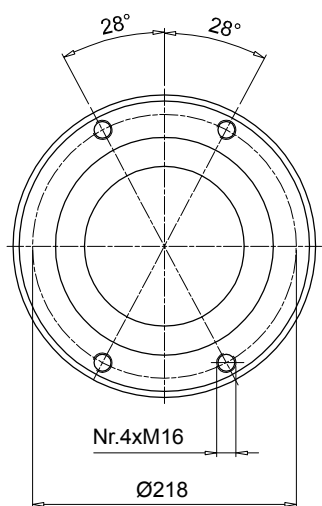


Flange interface

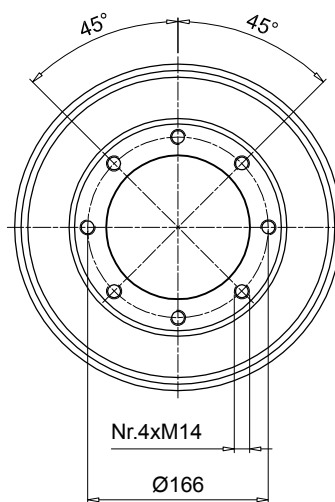
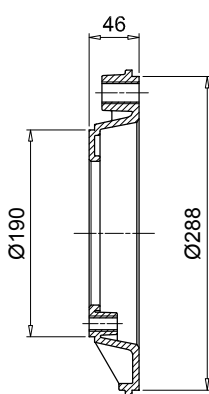
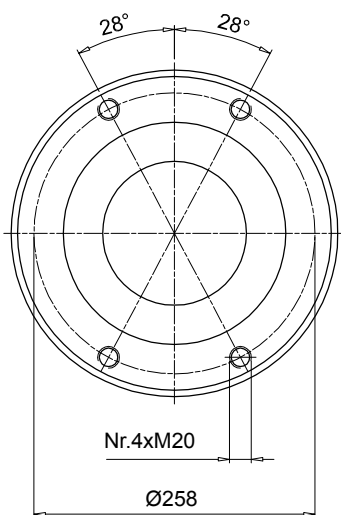
Motor base interface



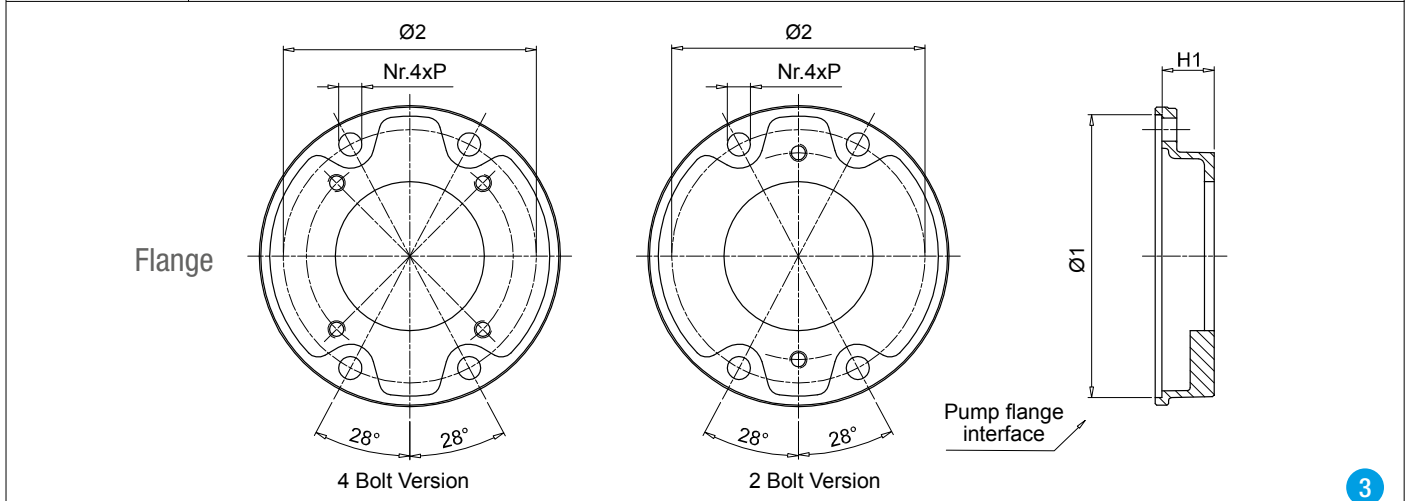
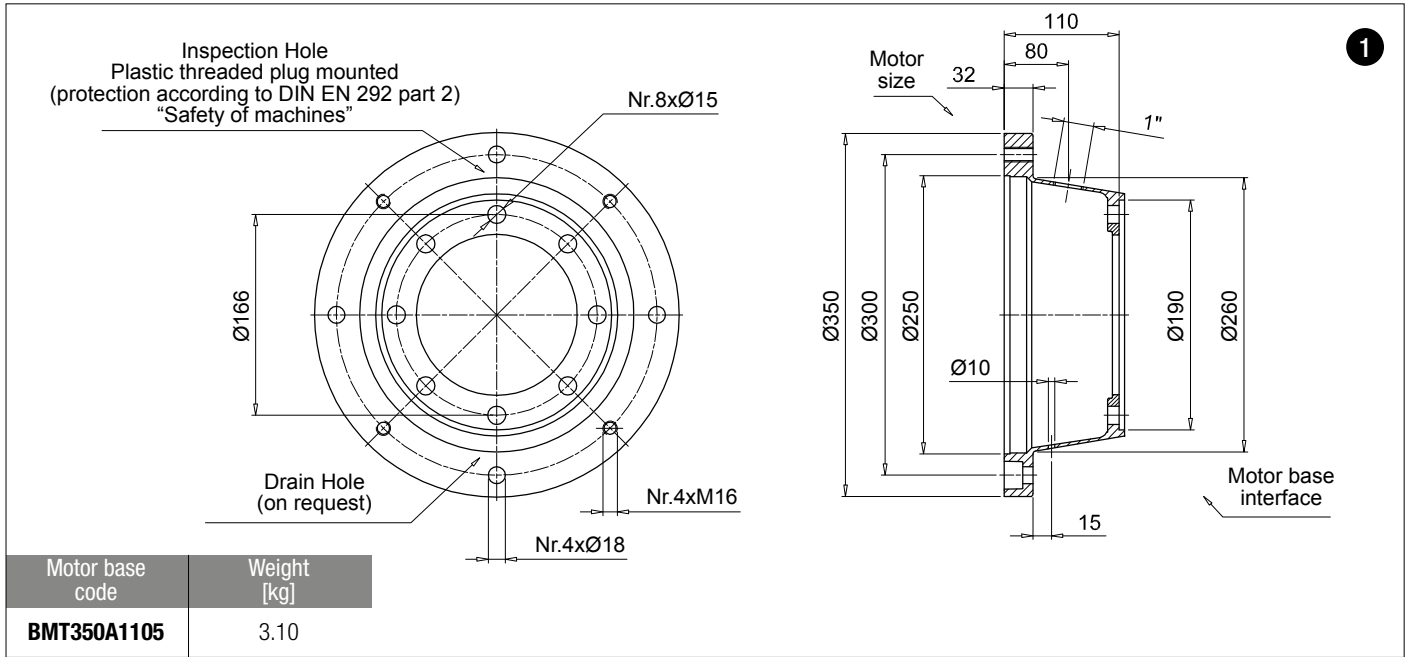
Code	Weight [kg]
<b>AD50385</b>	1.00



Code	Weight [kg]
<b>AD50386</b>	1.25



Code	Weight [kg]
<b>AD50467</b>	1.90



The codes on the chart must be used for dimensional checking only; the ordering codes for all components are available on the on-line software "Power Transmission Software" on the web site [www.mpfiltri.com](http://www.mpfiltri.com)

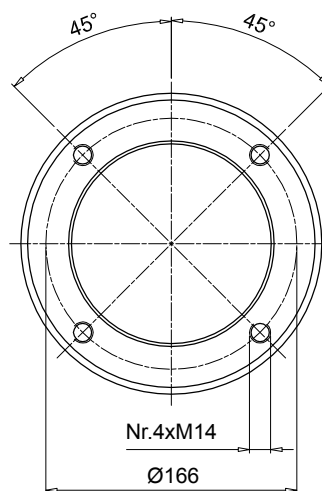
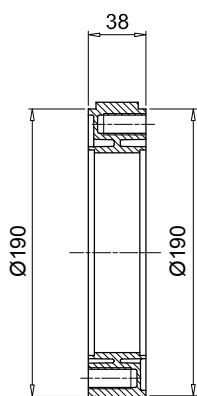
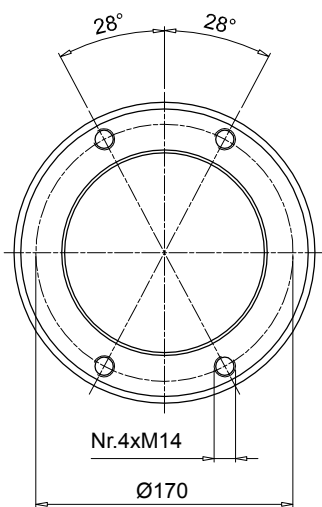
Pump flange code	H1	Ø1	Ø2	P	Mounting kit	Available pump interface		Weight [kg]
						2 Bolt	4 Bolt	
<b>FP5026***</b>	26				KVG5 See page 107	S023 - D042 - S063 - S070 - S072 S075	S024 - S024 - S033 - S125 - S154	1
<b>FP5032***</b>	32					-	S024 - S031 - S096 - S125	1.1
<b>FP5035***</b>	35					S023 - D042 - S063 - S070 - S072 - S075 - S060 - S072 - S074 - S075 - S106	S021 - S024 - S025 - S026 - S031 - S059 - S068 - S083 - S097 - S125 - S141	0.9
<b>FP5045***</b>	45					S060 - S070 - S071 - S072 - S074 - S075 - S106	S021 - S024 - S025 - S026 - S068 - S125 - S141	0.9
<b>FP5056***</b>	56	190	170	15		S072	S021 - S026	1.6
<b>FP5063***</b>	63					S070 - S079 - S138	S021 - S025 - S068 - S141	1.7
<b>FP5091***</b>	91					-	S025 - S031 - S033 - S113 - S267	2.2
<b>FP6032***</b>	32				KVG6 See page 107	S081 - S082	S021 - S035	1.8
<b>FP6045***</b>	45					S070 - S075 - S080 - S081 - S082	S021 - S025 - S026 - S027 - S069 - S077 - S125 - S198 - S207 - S215 - S253	2.1
<b>FP6058***</b>	58					S079 - S080 - S081 - S082	S025 - S026 - S027 - S038 - S077 - S078 - S207 - S215 - S237	2.4
<b>FP6070***</b>	70					S080	-	3.0
<b>FP6082***</b>	82	240	218	17		S080 - S081	S038 - S141 - 198 - 215	3.3
<b>FP6086***</b>	86					S090 - S092 - S166 - S091	S021 - S026 - S027 - S077 - S078 - S114 - S132 - 198 - S200	3.4
<b>FP6101***</b>	101					-	S027 - S035 - S113 - S132 - S148 - S176 - S228	4.2
<b>FP6110***</b>	110					S080	S111	5.5
<b>FP7052***</b>	52				KVG7 See page 107	-	S028 - S108 - S112 - S133 - S192	4.4
<b>FP7066***</b>	66					S090 - S092 - S166	-	4.8
<b>FP7069***</b>	69	288	258	22		-	S108 - S143 - S148 - S192 - S201 - S204 - S281 - S282	4.9
<b>FP7086***</b>	86					S091 - S092 - S117 - S166	S022 - S027 - S028 - S108 - S112 - S184 - S192 - S201 - S228 - S300	5.2
<b>FP7111***</b>	111					S091 - S092 - S117 - S145	S028 - S108 - S112 - S133 - S184	6.3

Pump flange code to be complete with available pump interface

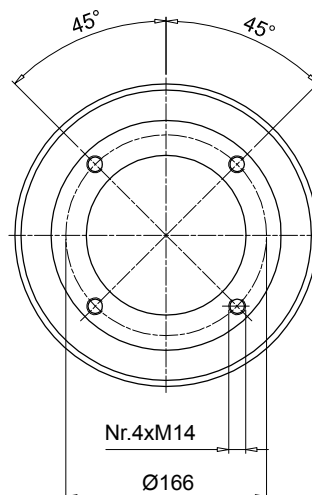
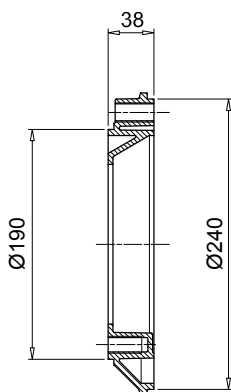
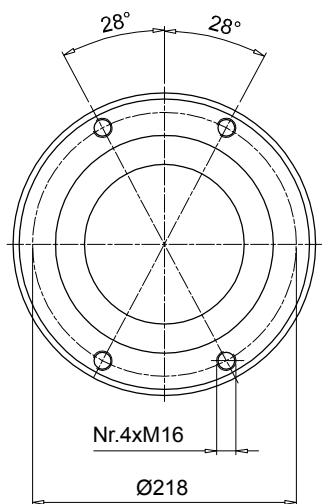
Example: **FP6032S021**

Flange interface

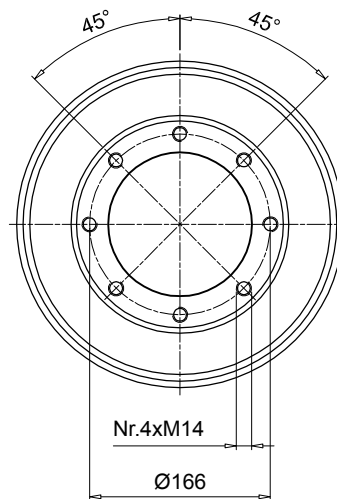
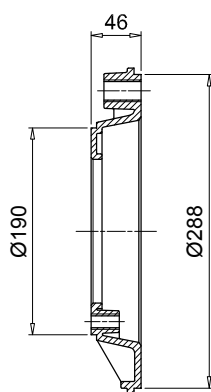
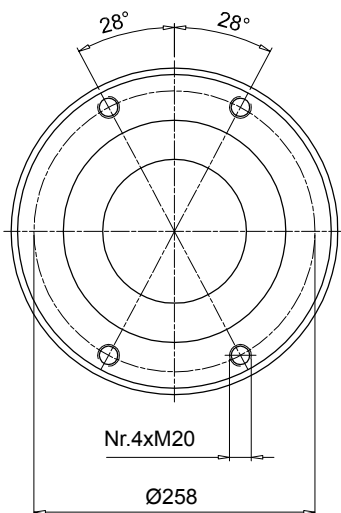
Motor base interface



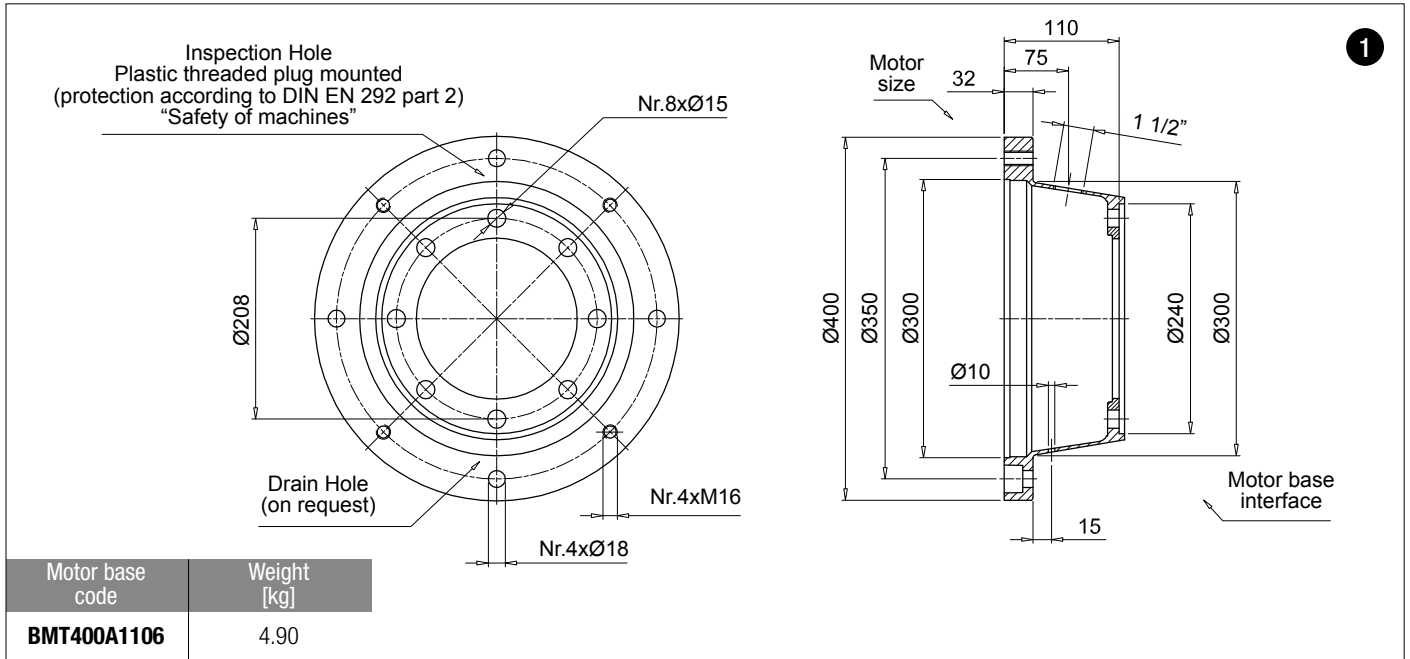
Code	Weight [kg]
<b>AD50385</b>	1.00



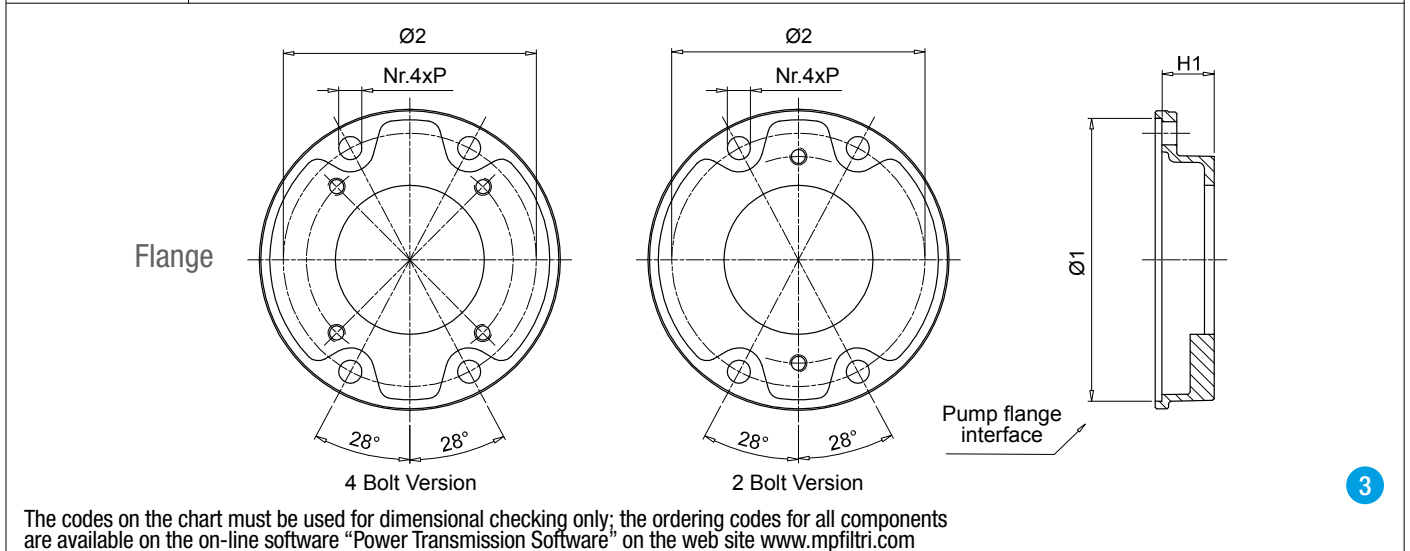
Code	Weight [kg]
<b>AD50386</b>	1.25



Code	Weight [kg]
<b>AD50467</b>	1.90



1



3

The codes on the chart must be used for dimensional checking only; the ordering codes for all components are available on the on-line software "Power Transmission Software" on the web site [www.mpfiltri.com](http://www.mpfiltri.com)

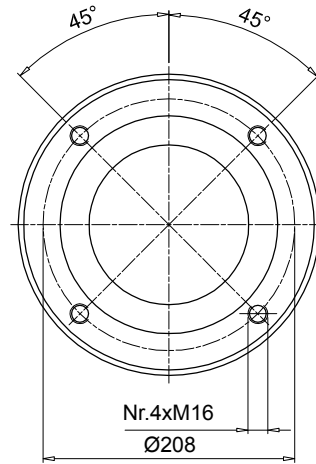
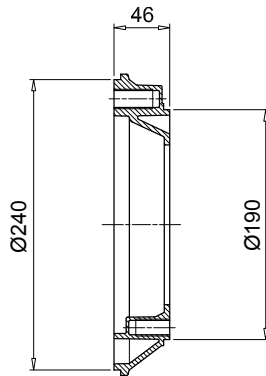
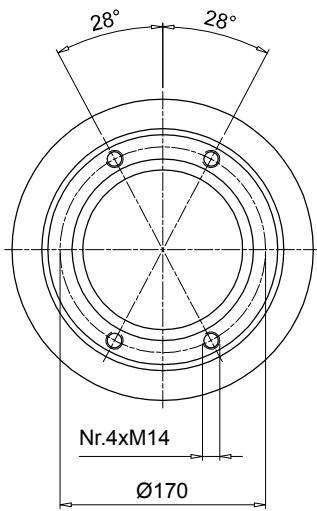
Pump flange code	H1	Ø1	Ø2	P	Mounting kit	Available pump interface		Weight [kg]
						2 Bolt	4 Bolt	
<b>FP5026***</b>	26				KVG5 See page 107	S023 - D042 - S063 - S070 - S072 S075	S024 - S024 - S033 - S125 - S154	1
<b>FP5032***</b>	32			-		S024 - S031 - S096 - S125	1.1	
<b>FP5035***</b>	35					S023 - D042 - S063 - S070 - S072 - S075 - S060 - S072 - S074 - S075 - S106	S021 - S024 - S025 - S026 - S031 - S059 - S068 - S083 - S097 - S125 - S141	0.9
<b>FP5045***</b>	45					S060 - S070 - S071 - S072 - S074 - S075 - S106	S021 - S024 - S025 - S026 - S068 - S125 - S141	0.9
<b>FP5056***</b>	56	190	170	15		S072	S021 - S026	1.6
<b>FP5063***</b>	63					S070 - S079 - S138	S021 - S025 - S068 - S141	1.7
<b>FP5091***</b>	91				-	S025 - S031 - S033 - S113 - S267	2.2	
<b>FP6032***</b>	32				KVG6 See page 107	S081 - S082	S021 - S035	1.8
<b>FP6045***</b>	45					S070 - S075 - S080 - S081 - S082	S021 - S025 - S026 - S027 - S069 - S077 - S125 - S198 - S207 - S215 - S253	2.1
<b>FP6058***</b>	58					S079 - S080 - S081 - S082	S025 - S026 - S027 - S038 - S077 - S078 - S207 - S215 - S237	2.4
<b>FP6070***</b>	70	240	218	17		S080	-	3.0
<b>FP6082***</b>	82					S080 - S081	S038 - S141 - 198 - 215	3.3
<b>FP6086***</b>	86					S090 - S092 - S166 - S091	S021 - S026 - S027 - S077 - S078 - S114 - S132 - 198 - S200	3.4
<b>FP6101***</b>	101					-	S027 - S035 - S113 - S132 - S148 - S176 - S228	4.2
<b>FP6110***</b>	110					S080	S111	5.5
<b>FP7052***</b>	52				KVG7 See page 107	-	S028 - S108 - S112 - S133 - S192	4.4
<b>FP7066***</b>	66					S090 - S092 - S166	-	4.8
<b>FP7069***</b>	69	288	258	22		-	S108 - S143 - S148 - S192 - S201 - S204 - S281 - S282	4.9
<b>FP7086***</b>	86					S091 - S092 - S117 - S166	S022 - S027 - S028 - S108 - S112 - S184 - S192 - S201 - S228 - S300	5.2
<b>FP7111***</b>	111					S091 - S092 - S117 - S145	S028 - S108 - S112 - S133 - S184	6.3

Pump flange code to be complete with available pump interface

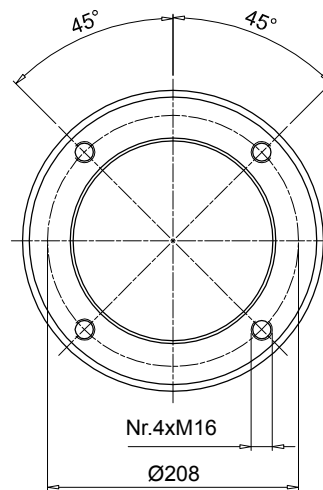
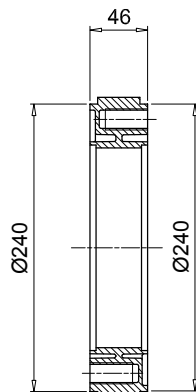
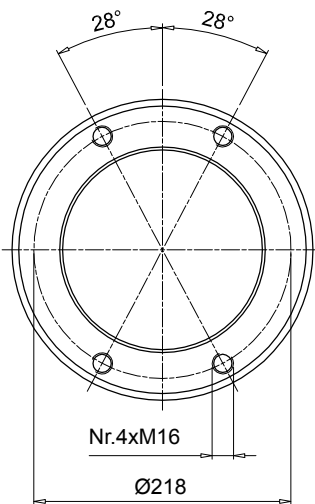
Example: **FP6032S021**

Flange interface

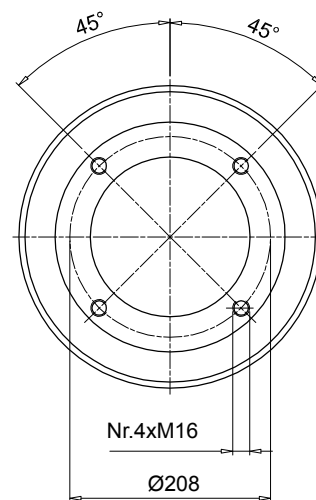
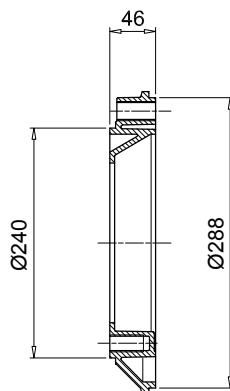
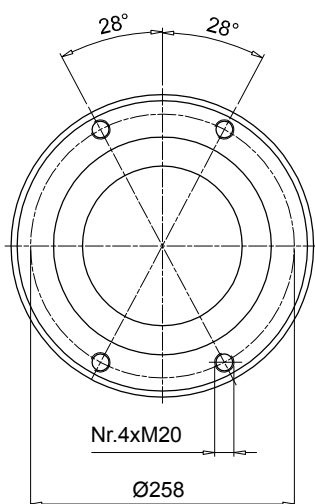
Motor base interface



Code	Weight [kg]
<b>AD60465</b>	1.30

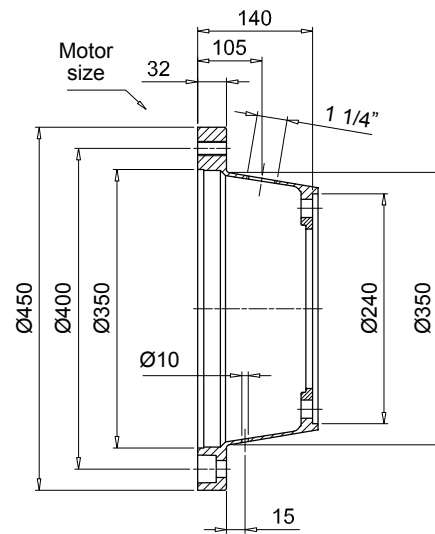
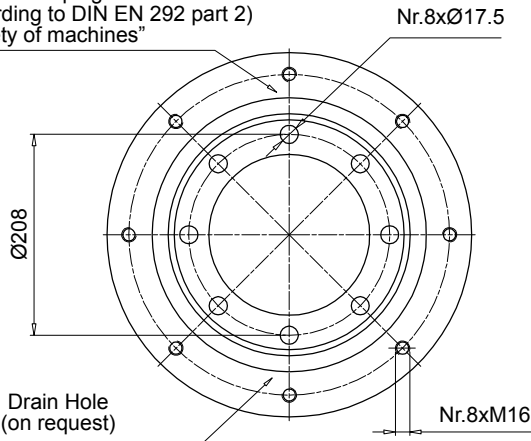


Code	Weight [kg]
<b>AD60466</b>	1.60



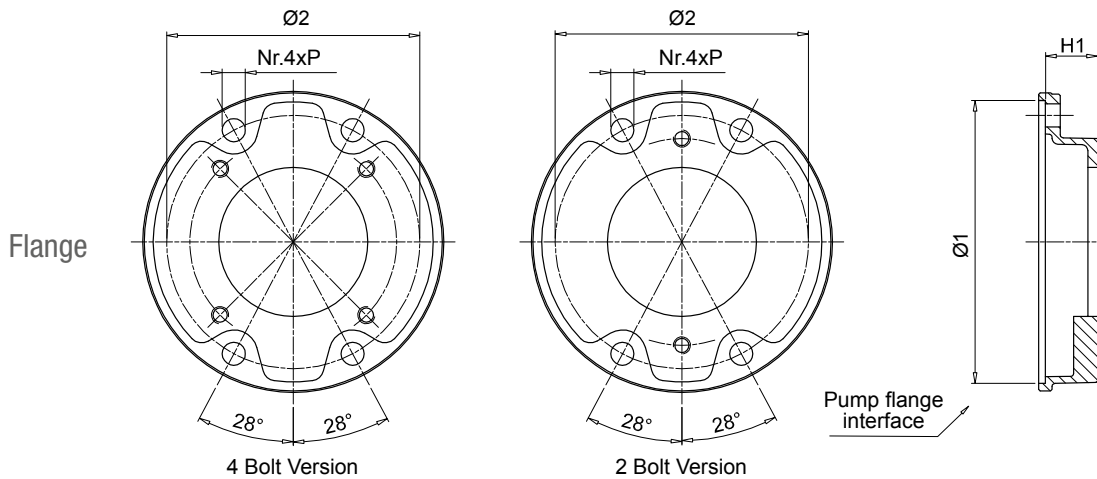
Code	Weight [kg]
<b>AD60467</b>	2.50

Inspection Hole  
Plastic threaded plug mounted  
(protection according to DIN EN 292 part 2)  
"Safety of machines"



1

Motor base code	Weight [kg]
BMT450A1406	5.00



3

The codes on the chart must be used for dimensional checking only; the ordering codes for all components are available on the on-line software "Power Transmission Software" on the web site [www.mpfiltri.com](http://www.mpfiltri.com)

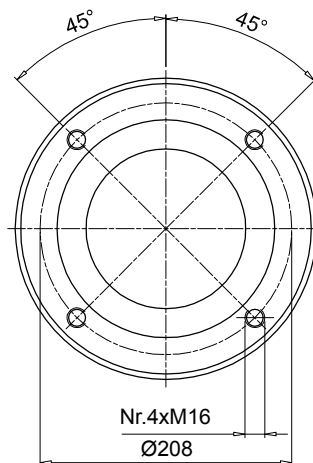
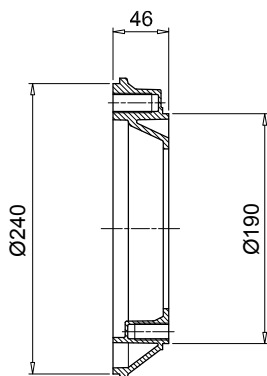
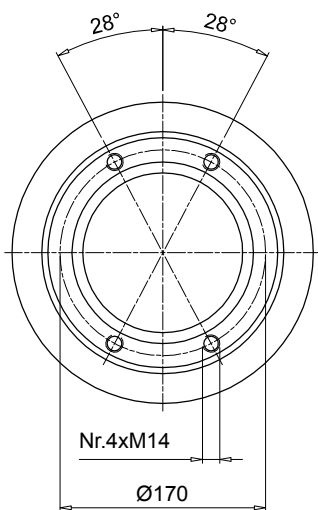
Pump flange code	H1	Ø1	Ø2	P	Mounting kit	Available pump interface		Weight [kg]
						2 Bolt	4 Bolt	
FP5026***	26				KVG5 See page 107	S023 - D042 - S063 - S070 - S072 S075	S024 - S024 - S033 - S125 - S154	1.0
FP5032***	32					-	S024 - S031 - S096 - S125	1.1
FP5035***	35					S023 - D042 - S063 - S070 - S072 - S075 - S060 - S072 - S074 - S075 - S106	S021 - S024 - S025 - S026 - S031 - S059 - S068 - S083 - S097 - S125 - S141	0.9
FP5045***	45					S060 - S070 - S071 - S072 - S074 - S075 - S106	S021 - S024 - S025 - S026 - S068 - S125 - S141	0.9
FP5056***	56	190	170	15		S072	S021 - S026	1.6
FP5063***	63					S070 - S079 - S138	S021 - S025 - S068 - S141	1.7
FP5091***	91				-	S025 - S031 - S033 - S113 - S267	2.2	
FP6032***	32				KVG6 See page 107	S081 - S082	S021 - S035	1.8
FP6045***	45					S070 - S075 - S080 - S081 - S082	S021 - S025 - S026 - S027 - S069 - S077 - S125 - S198 - S207 - S215 - S253	2.1
FP6058***	58					S079 - S080 - S081 - S082	S025 - S026 - S027 - S038 - S077 - S078 - S207 - S215 - S237	2.4
FP6070***	70	240	218	17		S080	-	3.0
FP6082***	82					S080 - S081	S038 - S141 - 198 - 215	3.3
FP6086***	86					S090 - S092 - S166 - S091	S021 - S026 - S027 - S077 - S078 - S114 - S132 - 198 - S200	3.4
FP6101***	101					-	S027 - S035 - S113 - S132 - S148 - S176 - S228	4.2
FP6110***	110					S080	S111	5.5
FP7052***	52				KVG7 See page 107	-	S028 - S108 - S112 - S133 - S192	4.4
FP7066***	66					S090 - S092 - S166	-	4.8
FP7069***	69	288	258	22		-	S108 - S143 - S148 - S192 - S201 - S204 - S281 - S282	4.9
FP7086***	86					S091 - S092 - S117 - S166	S022 - S027 - S028 - S108 - S112 - S184 - S192 - S201 - S228 - S300	5.2
FP7111***	111					S091 - S092 - S117 - S145	S028 - S108 - S112 - S133 - S184	6.3

Pump flange code to be complete with available pump interface

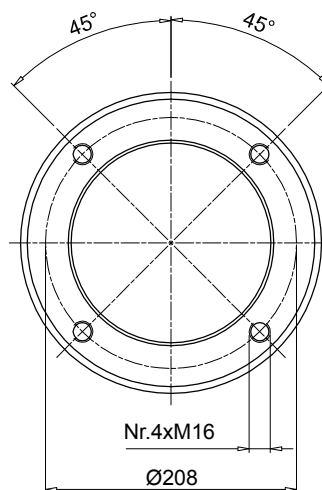
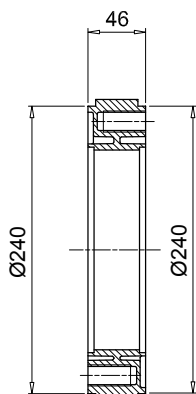
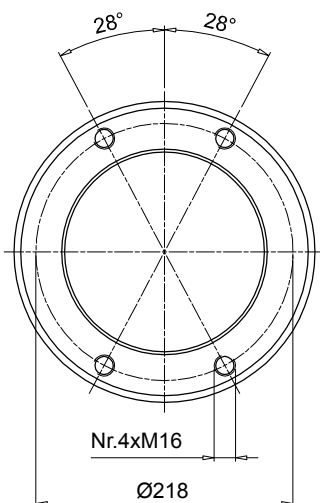
Example: **FP6032S021**

Flange interface

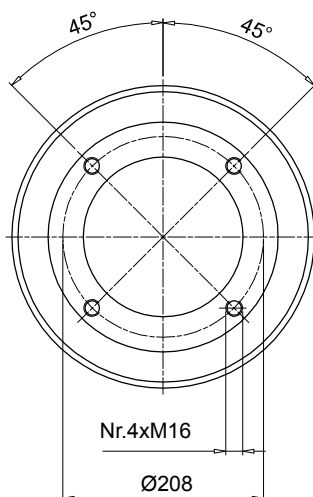
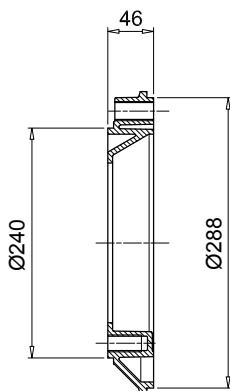
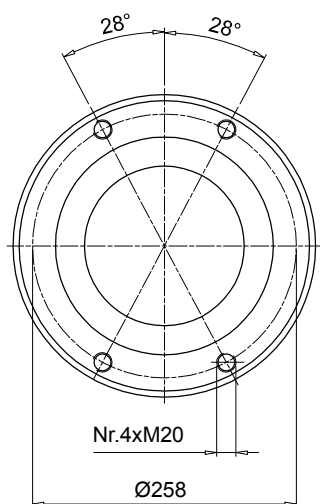
Motor base interface



Code	Weight [kg]
<b>AD60465</b>	1.30



Code	Weight [kg]
<b>AD60466</b>	1.60

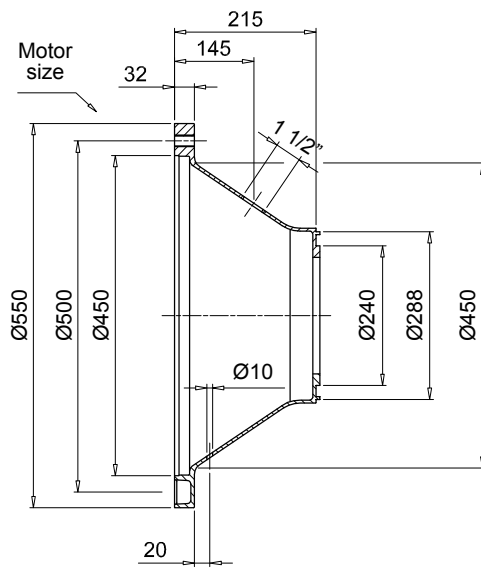
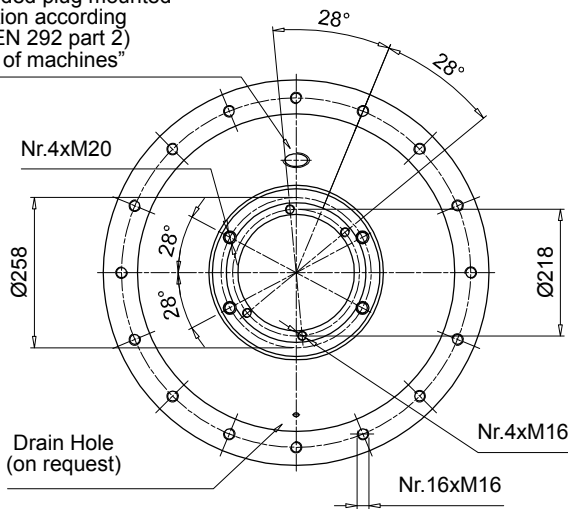


Code	Weight [kg]
<b>AD60467</b>	2.50

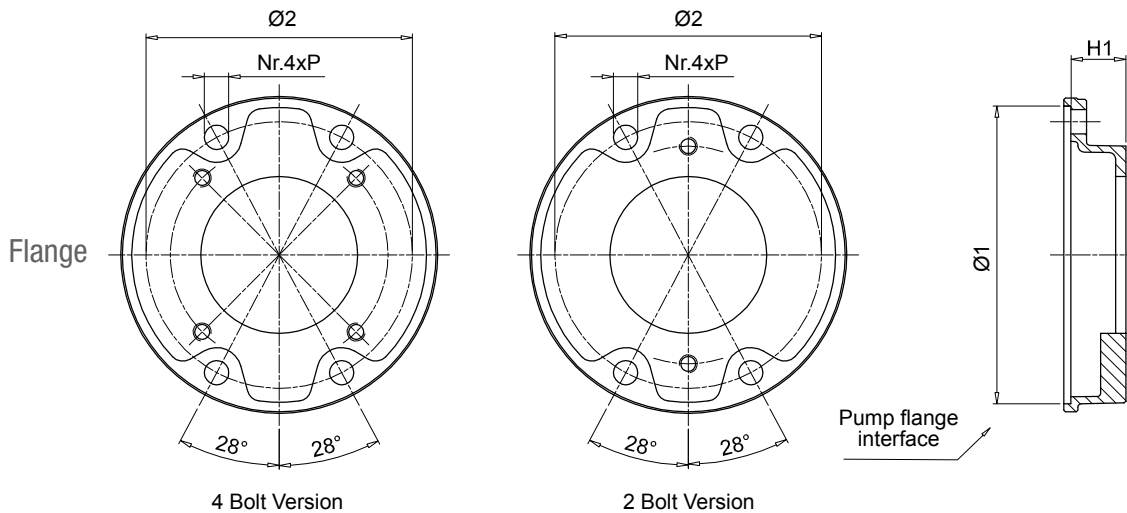


1

Inspection Hole  
Plastic threaded plug mounted  
(protection according  
to DIN EN 292 part 2)  
"Safety of machines"



Motor base code	Weight [kg]
<b>BMT550A21567</b>	8.80



The codes on the chart must be used for dimensional checking only; the ordering codes for all components are available on the on-line software "Power Transmission Software" on the web site [www.mpfiltri.com](http://www.mpfiltri.com)

3

Pump flange code	H1	Ø1	Ø2	P	Mounting kit	Available pump interface		Weight [kg]
						2 Bolt	4 Bolt	
<b>FP6032***</b>	32				KVG6 See page 107	S081 - S082	S021 - S035	1.8
<b>FP6045***</b>	45					S070 - S075 - S080 - S081 - S082	S021 - S025 - S026 - S027 - S069 - S077 - S125 - S198 - S207 - S215 - S253	2.1
<b>FP6058***</b>	58					S079 - S080 - S081 - S082	S025 - S026 - S027 - S038 - S077 - S078 - S207 - S215 - S237	2.4
<b>FP6070***</b>	70	240	218	17		S080	-	3.0
<b>FP6082***</b>	82					S080 - S081	S038 - S141 - 198 - 215	3.3
<b>FP6086***</b>	86					S090 - S092 - S166 - S091	S021 - S026 - S027 - S077 - S078 - S114 - S132 - 198 - S200	3.4
<b>FP6101***</b>	101					-	S027 - S035 - S113 - S132 - S148 - S176 - S228	4.2
<b>FP6110***</b>	110				S080	S111	5.5	
<b>FP7052***</b>	52				KVG7 See page 107	-	S028 - S108 - S112 - S133 - S192	4.4
<b>FP7066***</b>	66					S090 - S092 - S166	-	4.8
<b>FP7069***</b>	69	288	258	22		-	S108 - S143 - S148 - S192 - S201 - S204 - S281 - S282	4.9
<b>FP7086***</b>	86					S091 - S092 - S117 - S166	S022 - S027 - S028 - S108 - S112 - S184 - S192 - S201 - S228 - S300	5.2
<b>FP7111***</b>	111					S091 - S092 - S117 - S145	S028 - S108 - S112 - S133 - S184	6.3

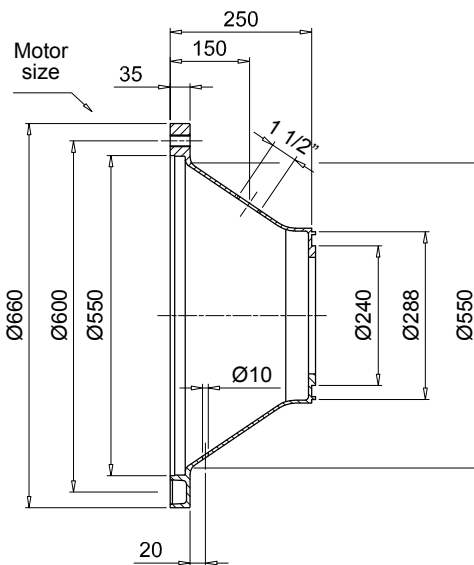
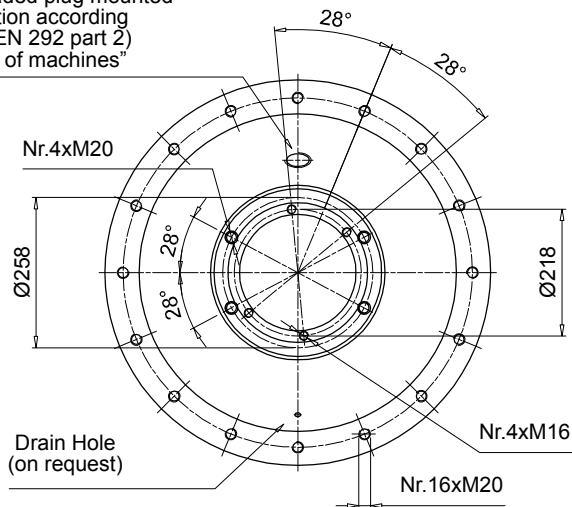
Pump flange code to be complete with available pump interface

Example: **FP6032S021**

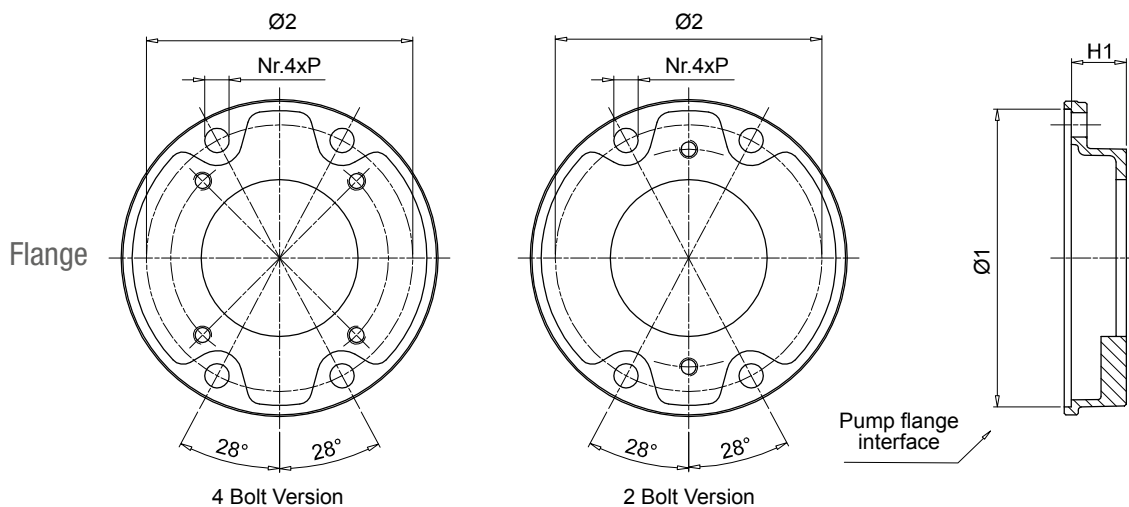


1

Inspection Hole  
Plastic threaded plug mounted  
(protection according  
to DIN EN 292 part 2)  
"Safety of machines"



Motor base code	Weight [kg]
<b>BMT660A25067</b>	12.00



The codes on the chart must be used for dimensional checking only; the ordering codes for all components are available on the on-line software "Power Transmission Software" on the web site [www.mpfiltri.com](http://www.mpfiltri.com)

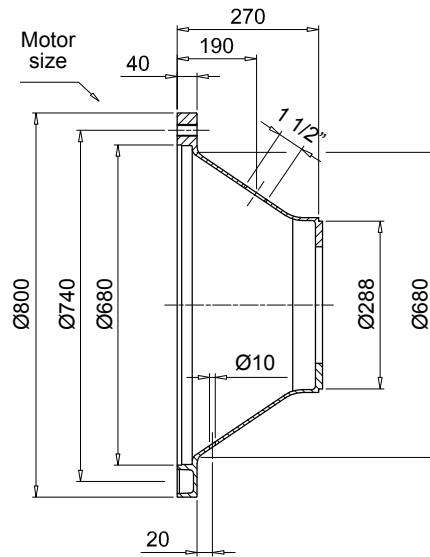
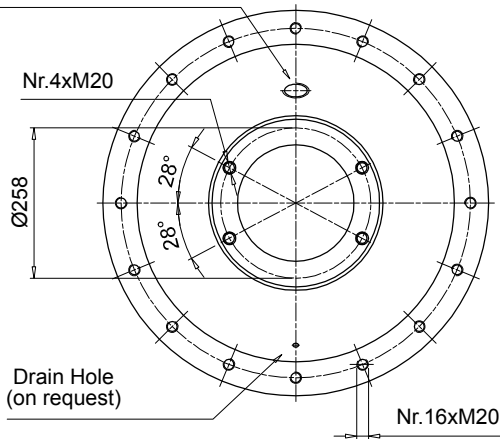
3

Pump flange code	H1	Ø1	Ø2	P	Mounting kit	Available pump interface		Weight [kg]				
						2 Bolt	4 Bolt					
<b>FP6032***</b>	32	240	218	17	KVG6 See page 107	S081 - S082	S021 - S035	1.8				
<b>FP6045***</b>	45					S070 - S075 - S080 - S081 - S082	S021 - S025 - S026 - S027 - S069 - S077 - S125 - S198 - S207 - S215 - S253	2.1				
<b>FP6058***</b>	58					S079 - S080 - S081 - S082	S025 - S026 - S027 - S038 - S077 - S078 - S207 - S215 - S237	2.4				
<b>FP6070***</b>	70					S080	-	3.0				
<b>FP6082***</b>	82					S080 - S081	S038 - S141 - 198 - 215	3.3				
<b>FP6086***</b>	86					S090 - S092 - S166 - S091	S021 - S026 - S027 - S077 - S078 - S114 - S132 - 198 - S200	3.4				
<b>FP6101***</b>	101					-	S027 - S035 - S113 - S132 - S148 - S176 - S228	4.2				
<b>FP6110***</b>	110					S080	S111	5.5				
<b>FP7052***</b>	52					288	258	22	KVG7 See page 107	-	S028 - S108 - S112 - S133 - S192	4.4
<b>FP7066***</b>	66									S090 - S092 - S166	-	4.8
<b>FP7069***</b>	69	-	S108 - S143 - S148 - S192 - S201 - S204 - S281 - S282	4.9								
<b>FP7086***</b>	86	S091 - S092 - S117 - S166	S022 - S027 - S028 - S108 - S112 - S184 - S192 - S201 - S228 - S300	5.2								
<b>FP7111***</b>	111	S091 - S092 - S117 - S145	S028 - S108 - S112 - S133 - S184	6.3								

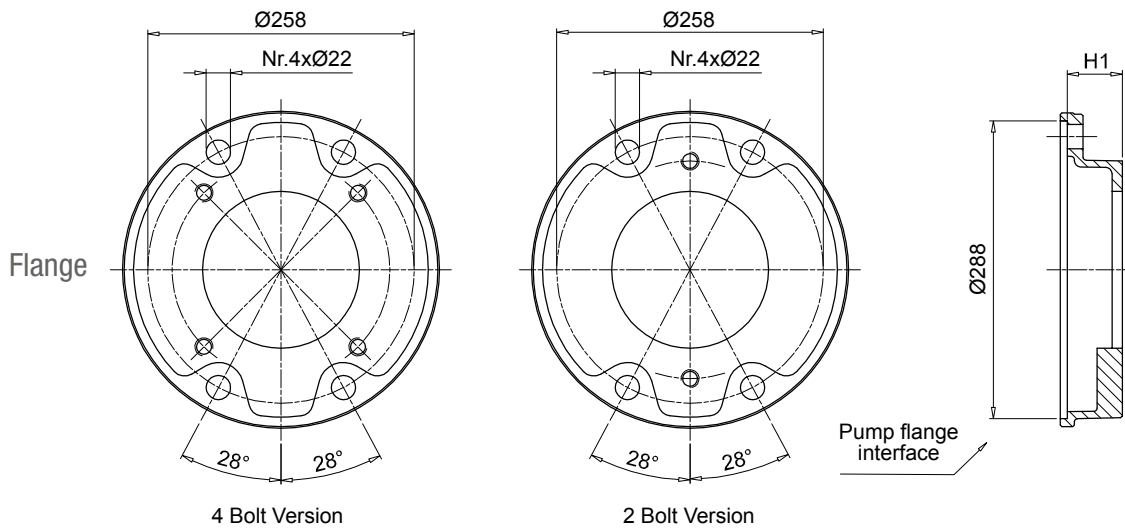
Pump flange code to be complete with available pump interface  
Example: **FP6032S021**

1

Inspection Hole  
Plastic threaded plug mounted  
(protection according to DIN EN 292 part 2)  
"Safety of machines"



Motor base code	Weight [kg]
<b>BAD800A2707</b>	31.00



The codes on the chart must be used for dimensional checking only; the ordering codes for all components are available on the on-line software "Power Transmission Software" on the web site [www.mpfiltri.com](http://www.mpfiltri.com)

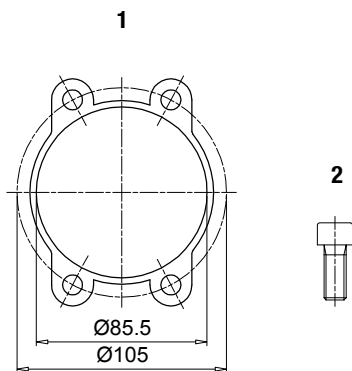
3

Pump flange code	H1	Ø1	Ø2	P	Mounting kit	Available pump interface		Weight [kg]
						2 Bolt	4 Bolt	
<b>FP7052***</b>	52				KVG7 See page 107	-	S028 - S108 - S112 - S133 - S192	4.4
<b>FP7066***</b>	66					S090 - S092 - S166	-	4.8
<b>FP7069***</b>	69	288	258	22		-	S108 - S143 - S148 - S192 - S201 - S204 - S281 - S282	4.9
<b>FP7086***</b>	86					S091 - S092 - S117 - S166 -	S022 - S027 - S028 - S108 - S112 - S184 - S192 - S201 - S228 - S300	5.2
<b>FP7111***</b>	111					S091 - S092 - S117 - S145	S028 - S108 - S112 - S133 - S184	6.3

Pump flange code to be complete with available pump interface

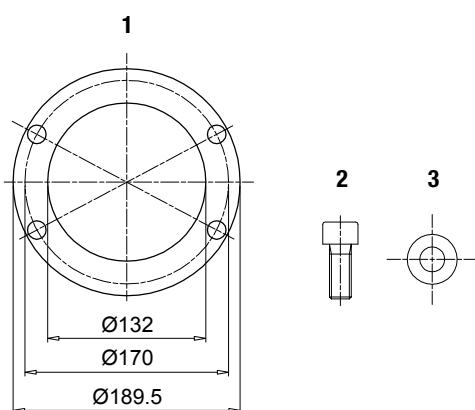
Example: **FP7052S028**

**KVG1**



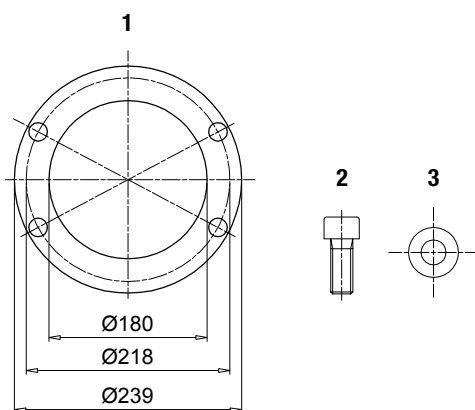
Components				
Item	Description	Q.ty	Material	Torque
1	Gasket for auxiliary flange FR1	1	Paper	-
2	Screw T.C.E.I. M8x20 UNI-5931 8.8	4	Steel	15 Nm

**KVG5**



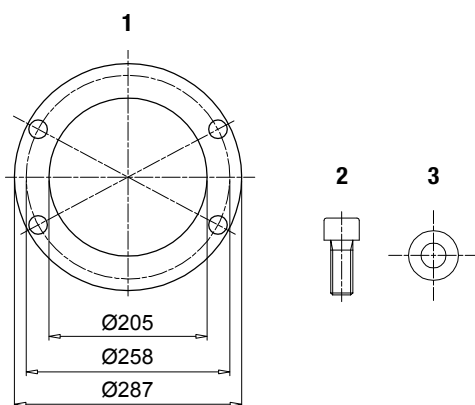
Components				
Item	Description	Q.ty	Material	Torque
1	Gasket for auxiliary flange FP5 / AD5	1	Paper	-
2	Screw T.C.E.I. M14x35 UNI-5931 8.8	4	Steel	90 Nm
3	Washer Schnorr 14	4	Steel	-

**KVG6**



Components				
Item	Description	Q.ty	Material	Torque
1	Gasket for auxiliary flange FP6 / AD6	1	Paper	-
2	Screw T.C.E.I. M16x35 UNI-5931 8.8	4	Steel	130 Nm
3	Washer Schnorr 16	4	Steel	-

**KVG7**



Components				
Item	Description	Q.ty	Material	Torque
1	Gasket for auxiliary flange FP7 / AD7	1	Paper	-
2	Screw T.C.E.I. M20x50 UNI-5931 8.8	4	Steel	200 Nm
3	Washer Schnorr 20	4	Steel	-

---

**The range of products is completed by a number of accessories, including:**

**DAMPING RINGS**, intended mainly for use with motor-pump units positioned vertically and with the pump submerged in the oil tank.

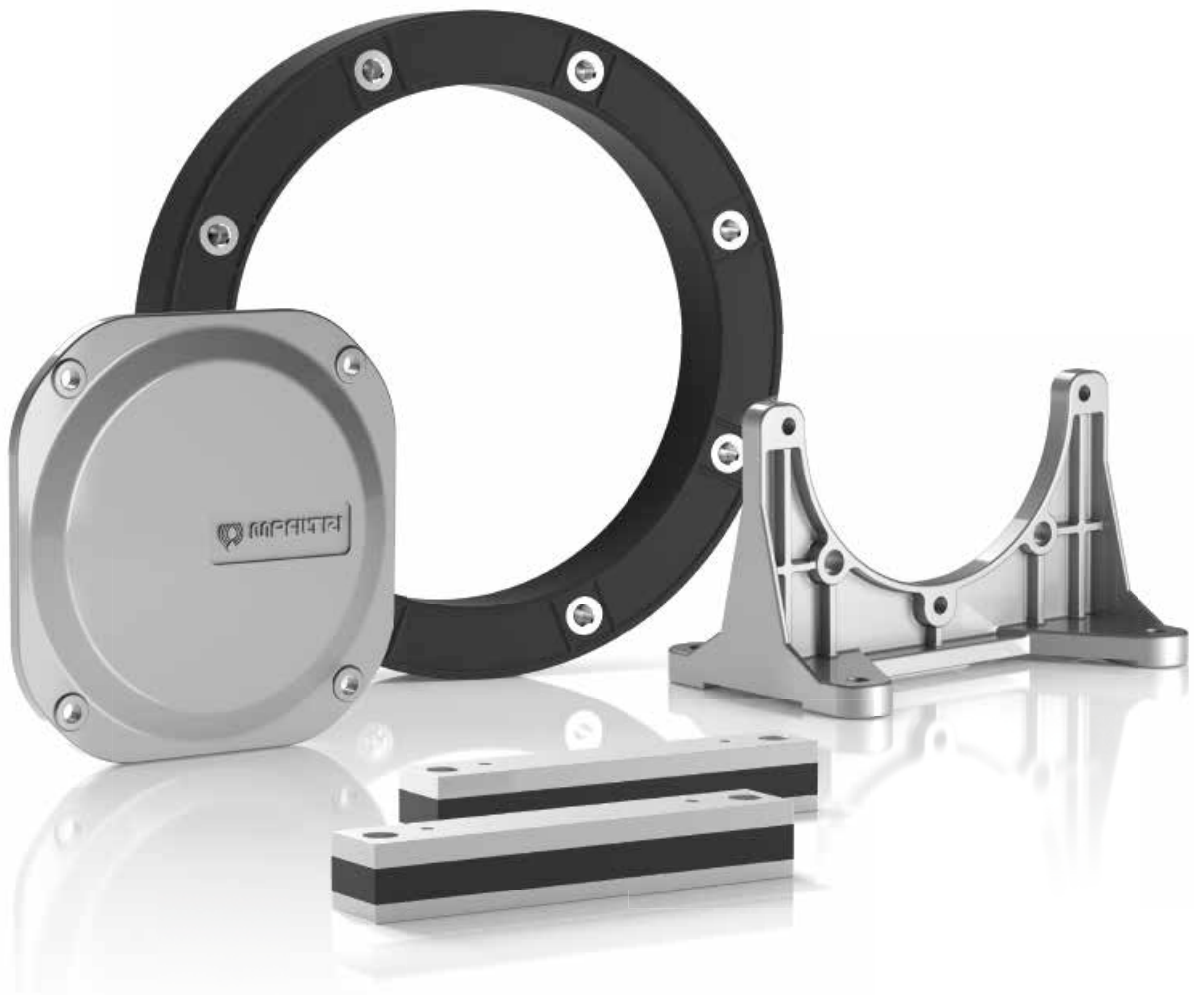
**FOOT BRACKETS**, which serve to support the motor pump unit in the event that the selected electric motor does not have mounting feet.

**DAMPING RODS**, to be mounted under the electric motor feet or under the foot brackets.

**CLEANING COVERS**, facilitating the maintenance of oil tanks in hydraulic power units, without necessarily having to dismantle the unit.

**ALUMINIUM TANKS** of 10 litres capacity, allowing the assembly of a compact hydraulic power unit.

# Accessories



ANM A	Damping rings	page 110
PDM A	Foot brackets	112
MPDR PDMA - MPDR	Damping rods	113
OB	Cleaning covers	114
SE10	Aluminium tanks	119

## Technical data

Positioned between the bell-housing motor flange and lid of the tank, they help to reduce the transmission of the vibrations and emission of noise generated by the system.

Damping rings provide a perfect hydraulic sealing actions by virtue of their special profile; damping rings are available for IEC electric motors from size 80 to size 315.

### Compatibility with fluids

- Mineral oils types HH-HL-HM-HR-HV, to ISO 6743/4 standard
- Water based emulsions types HFAE-HFAS, to ISO 6743/4 standard
- Water glycol type HFC, to ISO 6743/4 standard: ask for anodized version

### Materials

Internal ring: pressure die-cast aluminium alloy  
External body: NBR 75 Shore A

### Temperature

From -30 °C to +80 °C

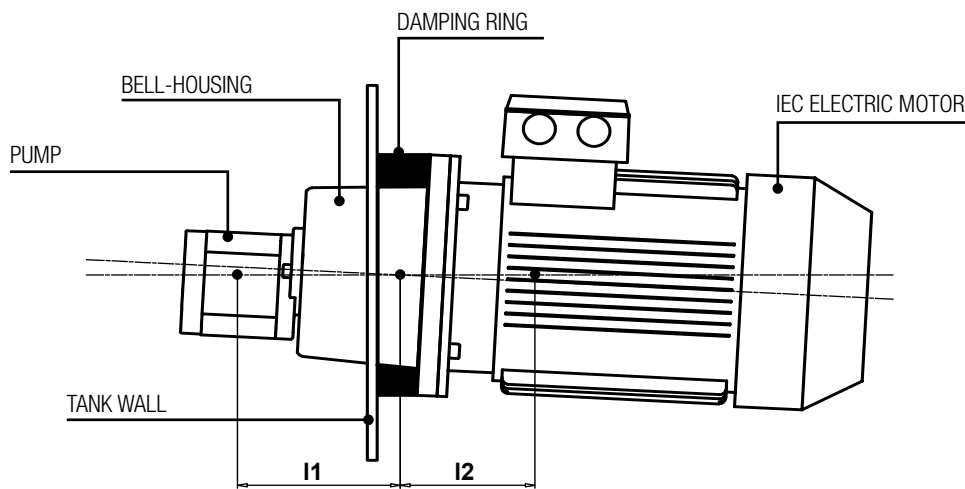
### Special Applications

Any applications not covered by the normal indications contained in this catalogue must be evaluated and approved by MP Filtri Technical and Sales Department

## Example of assembly

In order to warranty the application, to proceed with the calculation of the max weight and moment with the following formulas.

Values higher than those in the table could damage the product and couldn't warranty the conformity of the application!



$$F_{perm} \geq F_p + F_m$$

$$M_b perm \geq F_m \times l_1 - F_p \times l_2$$

## Permissible radial weight and bending load for damping rings

Code	F perm [N]	Mb perm [N·m]
<b>ANM A 200</b>	370	30
<b>ANM A 250</b>	720	65
<b>ANM A 300</b>	1450	175
<b>ANM A 350</b>	3600	740
<b>ANM A 400</b>	4800	1100
<b>ANM A 450</b>	6600	1600
<b>ANM A 550</b>	13000	4400
<b>ANM A 660</b>	24000	9000

### Legend of symbol

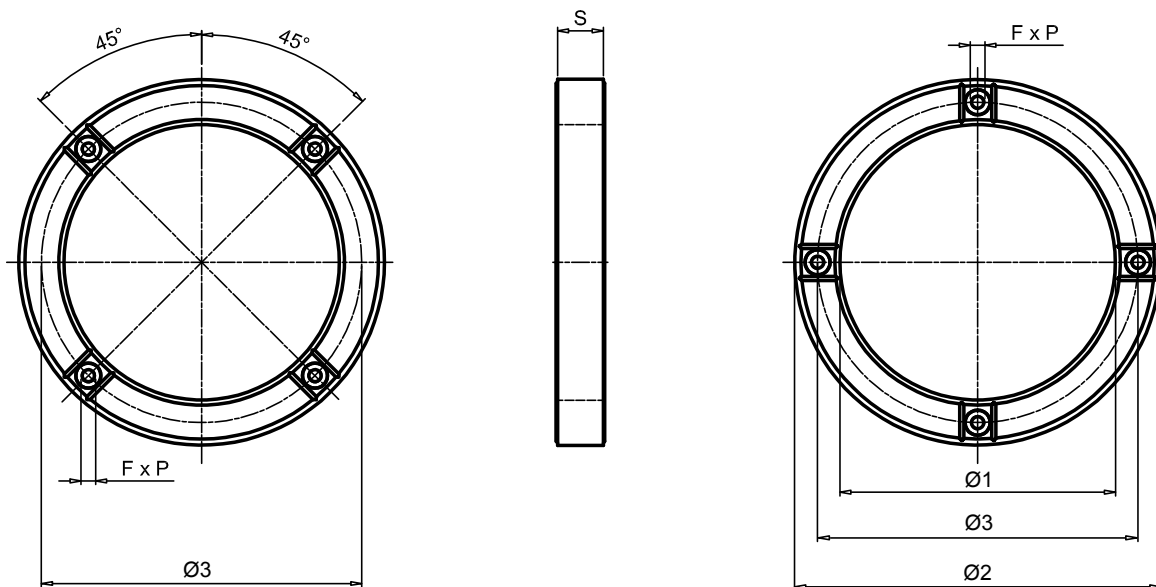
**F perm** = ammissible load (N)

**Fp** = pumps weight (N)

**Fm** = motor weight (N)

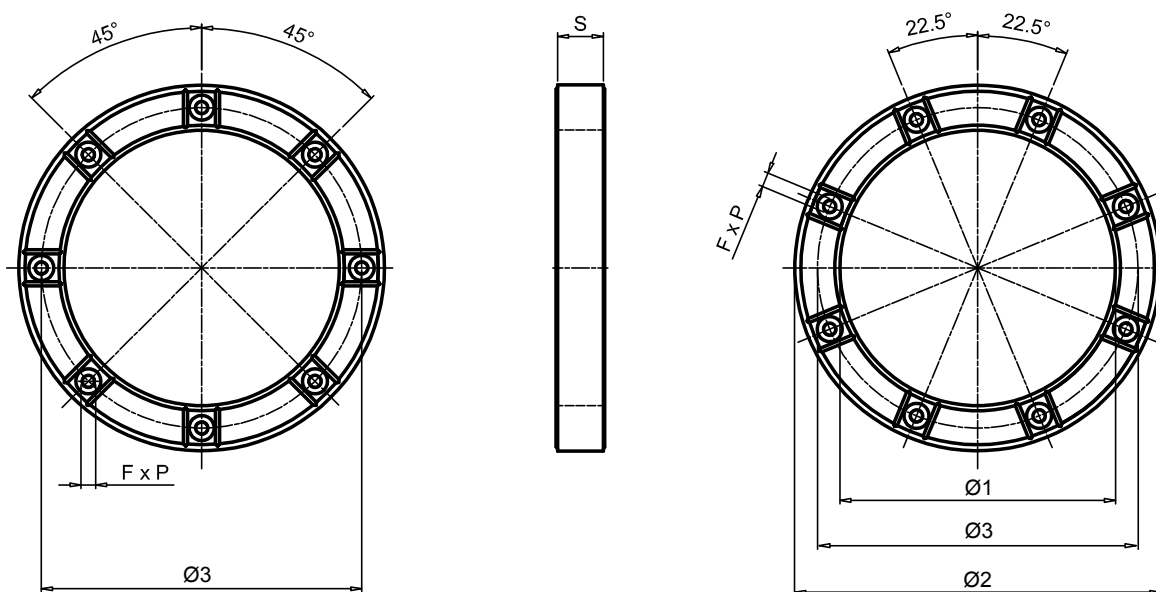
**Mb perm** = bending load (N·m)

**ANM A 200 ÷ 400**



Code	IEC - Electric motors	Dimensions [mm]					Nr. F	Screw tightening torque [N·m]	Weight [kg]
		Ø1	Ø2	Ø3	S	F x P			
<b>ANM A 200</b>	80, 90S / 90L	144	200	165	40	M10x16	4+4	23	1.70
<b>ANM A 250</b>	100L / 112M	191	250	215	45	M12x16		40	2.53
<b>ANM A 300</b>	132S / 132M	238	300	265	50	M12x16		40	2.15
<b>ANM A 350</b>	160L/160M, 180L/180M	260	350	300	58	M16x20		100	3.95
<b>ANM A 400</b>	200L	301	400	350	50	M16x25		100	4.60

**ANM A 450 ÷ 660**



Code	IEC - Electric motors	Dimensions [mm]					Nr. F	Screw tightening torque [N·m]	Weight [kg]
		Ø1	Ø2	Ø3	S	F x P			
<b>ANM A 450</b>	225S / 225M	352	450	400	60	M16x25	8+8	100	6.20
<b>ANM A 550</b>	250M, 280M / 280S	452	550	500	60	M16x25		210	7.76
<b>ANM A 660</b>	315M / 315S	552	660	600	67	M20x25		410	11.25

## Technical data

The foot brackets are proportioned to support IEC Electric motors with B5 flange without feet.

The range is available from size 71 to size 180.

### Compatibility with fluids

- Mineral oils types HH-HL-HM-HR-HV, to ISO 6743/4 standard
- Water based emulsions types HFAE-HFAS, to ISO 6743/4 standard
- Water glycol type HFC, to ISO 6743/4 standard: ask for anodized version

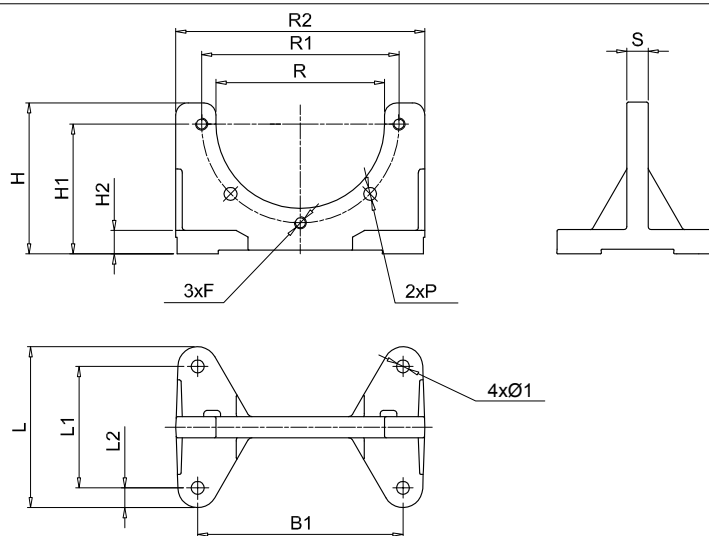
### Materials

Foot bracket: pressure die-cast aluminium alloy

### Temperature

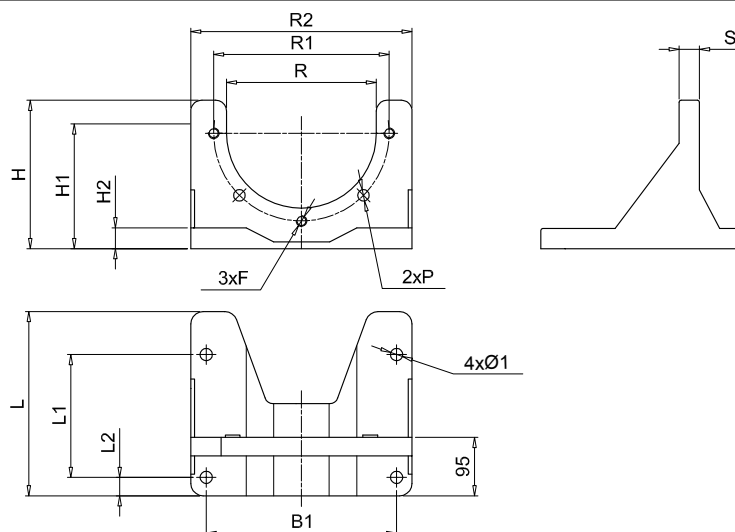
From -30 °C to +80 °C

## Dimensions



Dimensions [mm]

Foot bracket	B	B1	R2	L	L1	L2	H	H1	H2	R	R1	S	P	Ø1	F	Weight [kg]
<b>PDM A 160</b>	160	135	180	106	80	13	100	86	16	111	130	14	8.5	8.5	M8	0.45
<b>PDM A 200</b>	200	175	207	128	98	21	128	115	14	146	165	14	11.0	11.5	M10	0.60
<b>PDM A 250</b>	250	220	262	172	130	21	157	145	18	191	215	16	13.0	13.5	M12	1.20
<b>PDM A 300</b>	300	270	320	210	160	25	188	170	18	235	265	20	13.0	13.5	M12	1.80



Dimensions [mm]

Foot bracket	B	B1	R2	L	L1	L2	H	H1	H2	R	R1	S	P	Ø1	F	Weight [kg]
<b>PDM A 350</b>	350	310	360	300	200	30	220	200	30	261	300	30	18	13	M16	4.80



Damping rods are element to reduce the transmission of the vibrations and emission of noise generated of the system.

Damping rods are available for IEC Electric motors from size 71 to size 315L and for MP FILTRI foot bracket

### Compatibility with fluids

- Mineral oils types HH-HL-HM-HR-HV, to ISO 6743/4 standard
- Water based emulsions types HF AE-HFAS, to ISO 6743/4 standard
- Water glycol type HFC, to ISO 6743/4 standard: ask for anodized version

### Materials

Plate: steel black colour  
Damping element: NBR 60 Shore A

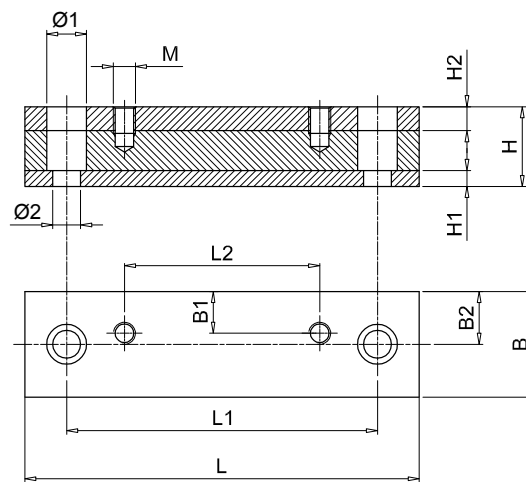
### Temperature

From -20 °C to +80 °C

### Special Applications

Any applications not covered by the normal indications contained in this catalogue must be evaluated and approved by the MP Filtri Technical and Sales Department

## Dimensions



Damping rods for foot brackets PDMA series.

For foot brackets see page 112

Code	Dimensions [mm]											Weight [kg]	
	L	L1	L2	B	B1	B2	H	H1	H2	Ø1	Ø2		M
<b>MPDR PDMA160P</b>	196	156	80	50	21	25	40	8	12	20	14	M8	1.5
<b>MPDR PDMA200P</b>	196	156	98	50	21	25	40	8	12	20	14	M10	1.5
<b>MPDR PDMA250P</b>	240	205	130	50	24	25	40	8	12	20	14	M12	2.0
<b>MPDR PDMA300P</b>	280	245	160	50	20	25	45	8	12	20	14	M12	2.5
<b>MPDR PDMA350P</b>	446	400	200	70	35	35	60	15	15	26	14	M12	8.0

Damping rods for electrical motors UNEL-MEC

Code	Dimensions [mm]											Weight [kg]	
	L	L1	L2	B	B1	B2	H	H1	H2	Ø1	Ø2		M
<b>MPDR 71P</b>	196	156	90	50	21	25	40	8	12	20	14	M6	1.5
<b>MPDR 80P</b>	176	146	100	50	22	25	40	8	12	20	14	M8	1.7
<b>MPDR 90SP</b>	196	156	100	50	24.5	25	40	8	12	20	14	M8	1.7
<b>MPDR 90LP</b>	240	205	125	50	24	25	40	8	12	20	14	M8	2.0
<b>MPDR 100LP</b>	240	205	140	50	22	25	40	8	12	20	14	M10	2.0
<b>MPDR 132SP</b>	280	245	140	50	20	25	45	8	12	20	14	M10	2.5
<b>MPDR 132MP</b>	280	245	178	50	20	25	45	8	12	20	14	M10	2.5
<b>MPDR 160MP</b>	340	300	210	70	28	35	60	15	15	26	18	M12	6.0
<b>MPDR 160LP</b>	416	370	254	70	28	35	60	15	15	26	18	M12	7.5
<b>MPDR 180MP</b>	416	370	241	70	35	35	60	15	15	26	18	M12	7.5
<b>MPDR 180LP</b>	446	400	279	70	35	35	60	15	15	26	18	M12	8.0
<b>MPDR 200LP</b>	492	430	305	70	35	35	60	15	15	33	22	M16	8.9
<b>MPDR 225SP</b>	492	430	286	70	35	35	60	15	15	33	22	M16	8.9
<b>MPDR 225MP</b>	492	445	311	70	35	35	60	15	15	33	22	M16	8.9
<b>MPDR 250MP</b>	492	445	349	100	50	50	60	15	15	33	22	M20	12.5
<b>MPDR 280SP</b>	614	570	368	100	50	50	60	15	15	33	22	M20	15.1
<b>MPDR 280MP</b>	614	570	419	100	50	50	60	15	15	33	22	M20	15.1
<b>MPDR 315SP</b>	614	570	406	120	60	60	60	15	15	33	22	M24	26.5
<b>MPDR 315MP</b>	614	570	457	120	60	60	60	15	15	33	22	M24	26.5
<b>MPDR 315LP</b>	704	660	508	120	60	60	60	15	15	33	22	M24	29.2

## Technical data

These pressure die-cast aluminium alloy doors offer superior mechanical strength and are manufactured to DIN 24339 standard. They provide easy access to the inside of the oil tank for inspection and cleaning purposes.

On request and for small quantities, to be agreed with MP Filtri Technical and Sales Department, inspection doors can be supplied with:

- Customer logo.
- Hole cut for visual level indicator.
- Hole cut for visual and electrical level indicator.
- Oil sample plug

### Compatibility with fluids

- Mineral oils types HH-HL-HM-HR-HV, to ISO 6743/4 standard
- Water based emulsions types HFAE-HFAS, to ISO 6743/4 standard
- Water glycol type HFC, to ISO 6743/4 standard: ask for anodized version

### Materials

Cleaning covers: pressure die-cast aluminium alloy

Seal: NBR 70 Shore A

### Temperature

From -30 °C to +80 °C

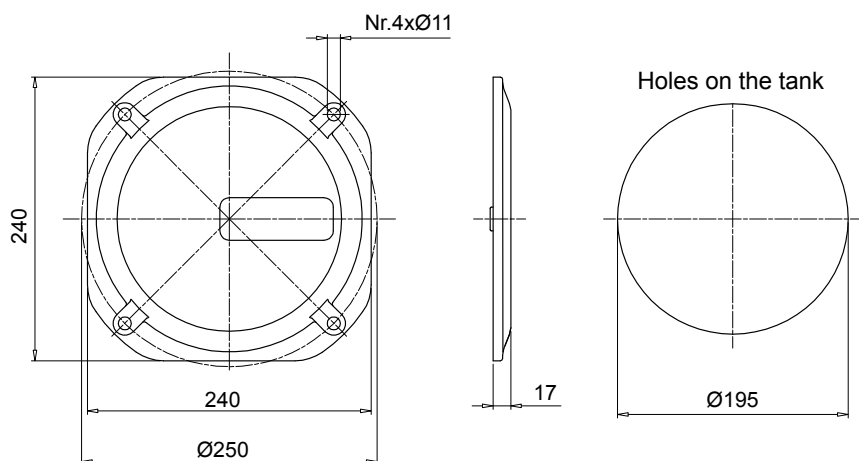
### Special Applications

Any applications not covered by the normal indications contained in this catalogue must be evaluated and approved by MP Filtri Technical and Sales Department

## Dimensions

Cleaning cover according to DIN 24339

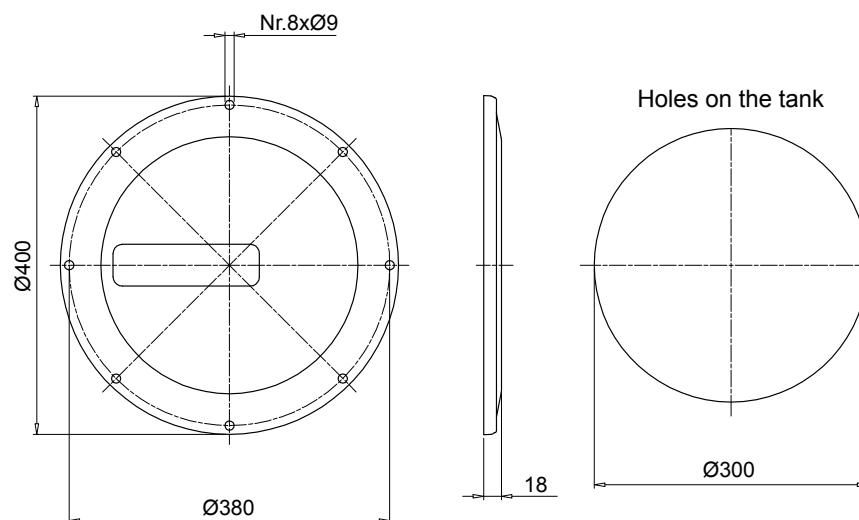
### OB275



Code	Description	Seal	Weight [kg]
<b>OB275P01GN</b>	Door with MP Logo	NBR	2.06
<b>OB275P02GN</b>	Blank cover	NBR	2.06
<b>OB275P01GV</b>	Door with MP Logo	FPM	2.06
<b>OB275P02GV</b>	Blank cover	FPM	2.06

Code	Description	Weight [kg]
<b>OB275P01</b>	Door with MP Logo	1.76
<b>OB275P02</b>	Blank cover	1.76
<b>GU0275NBR</b>	Seal	1.76
<b>GU0275VTN</b>	Seal	1.76

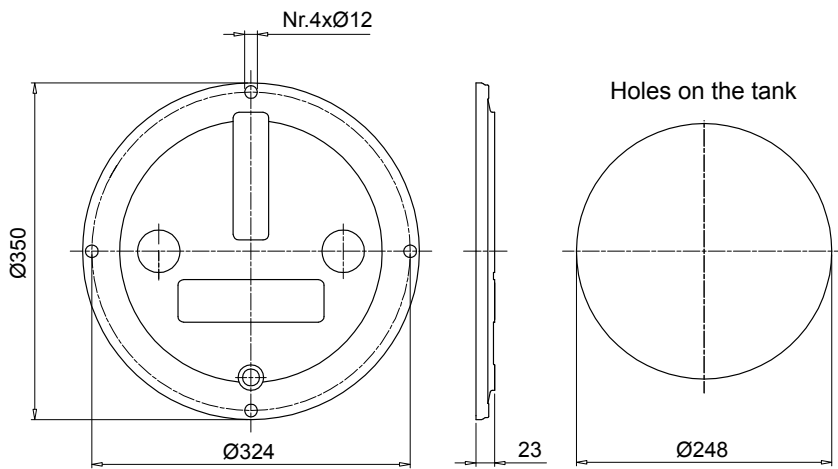
### OB400



Code	Description	Seal	Weight [kg]
<b>OB400P01GN</b>	Door with MP Logo	NBR	3.20
<b>OB400P02GN</b>	Blank cover	NBR	3.20
<b>OB400P01GV</b>	Door with MP Logo	FPM	3.20
<b>OB400P02GV</b>	Blank cover	FPM	3.20

Code	Description	Weight [kg]
<b>OB400P01</b>	Door with MP Logo	2.90
<b>OB400P02</b>	Blank cover	2.90
<b>GU0400NBR</b>	Seal	2.90
<b>GU0400VTN</b>	Seal	2.90

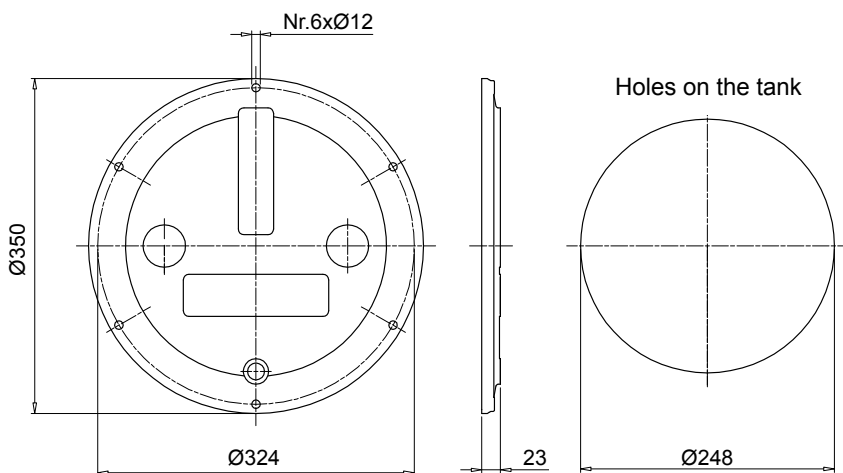
**OB350**



Code	Description	Seal	Weight [kg]
<b>OB350P01GN</b>	Door with MP Logo	NBR	2.10
<b>OB350P02GN</b>	Blank cover	NBR	2.10
<b>OB350P01GV</b>	Door with MP Logo	FPM	2.10
<b>OB350P02GV</b>	Blank cover	FPM	2.10

Code	Description	Weight [kg]
<b>OB350DIN000</b>	Door	1.80
<b>GU0350DINNBR</b>	Seal	1.80
<b>GU0350DINVTN</b>	Seal	1.80

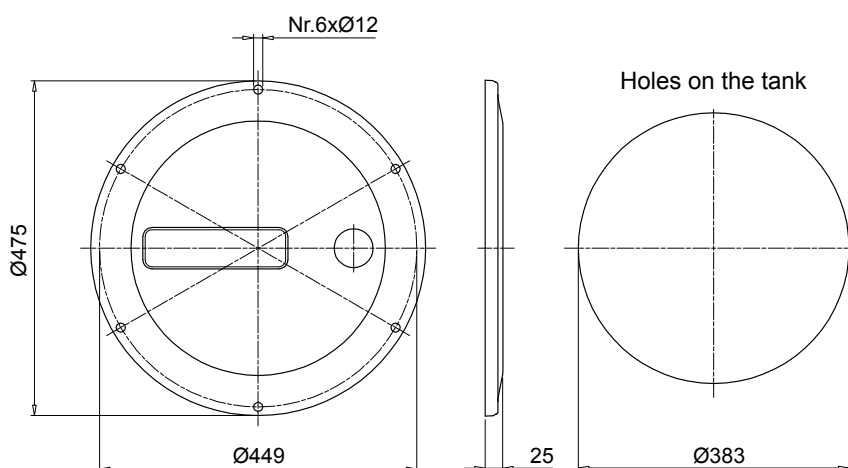
**OB356**



Code	Description	Seal	Weight [kg]
<b>OB356P01GN</b>	Door with MP Logo	NBR	2.10
<b>OB356P02GN</b>	Blank cover	NBR	2.10
<b>OB356P01GV</b>	Door with MP Logo	FPM	2.10
<b>OB356P02GV</b>	Blank cover	FPM	2.10

Code	Description	Weight [kg]
<b>OB356DIN000</b>	Door	1.80
<b>GU0350DINNBR</b>	Seal	1.80
<b>GU0350DINVTN</b>	Seal	1.80

**OB475**



Code	Description	Seal	Weight [kg]
<b>OB475P01GN</b>	Door with MP Logo	NBR	3.70
<b>OB475P02GN</b>	Blank cover	NBR	3.70
<b>OB475P01GV</b>	Door with MP Logo	FPM	3.70
<b>OB475P02GV</b>	Blank cover	FPM	3.70

Code	Description	Weight [kg]
<b>OB475P01</b>	Door with MP Logo	3.40
<b>OB475P02</b>	Blank cover	3.40
<b>GU0475DINNBR</b>	Seal	3.40
<b>GU0475DINVTN</b>	Seal	3.40

## Oil level indicator **LVA** series - vertical shape

### Technical data

#### Materials

Transparent amorphous polyamide lens  
Polyamide guard  
Seals: NBR - FPM

#### Operating pressure

Max 1 bar at +80°C

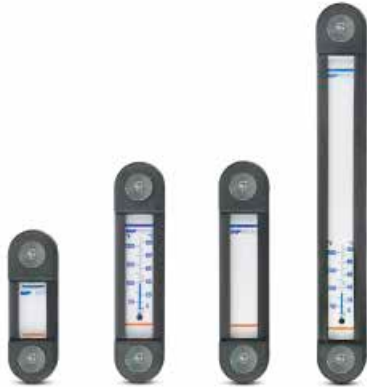
#### Operating temperature

From -25 °C to +80 °C

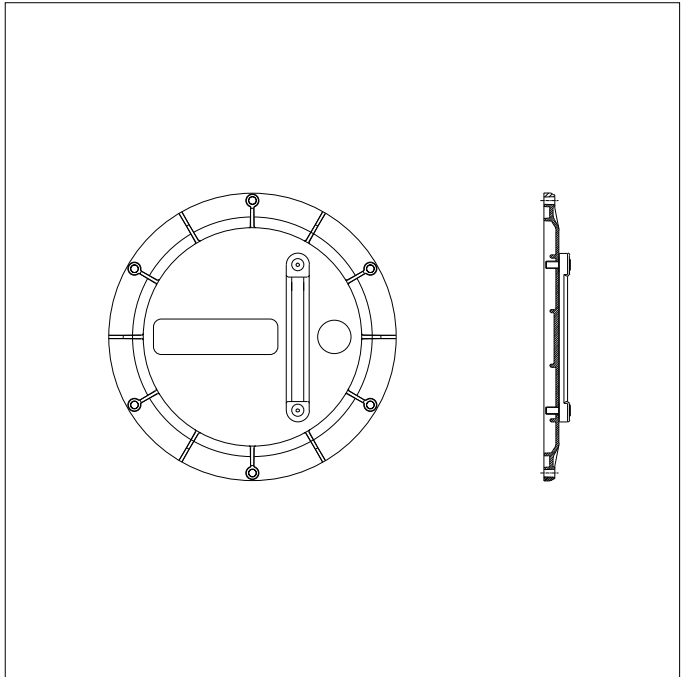
#### Tightening torque

10 N·m max.

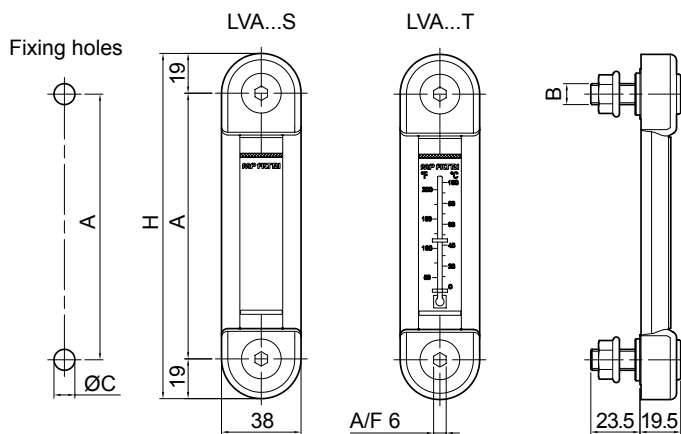
Mineral oils  
Synthetic oils  
Water base emulsions  
Phosphoric esters



### Installation



### Dimensions



Size	A [mm]	H [mm]
<b>LVA 10</b>	76	114
<b>LVA 20</b>	127	165
<b>LVA 30</b>	254	292

Type	B [mm]	ØC [mm]
<b>LVA...M10</b>	M10	10.5
<b>LVA...M12</b>	M12	12.5
<b>LVA...U38</b>	3/8" UNC	10.0
<b>LVA...U12</b>	1/2" UNC	13.5

#### Packaging

Type	Nr. pieces per pack
<b>LVA</b>	10

#### Preparing for to fit the level on request

Indicator code	OB275**	OB350**	OB356**	OB400**	OB475**
<b>LVA 10**</b>	•	•	•	•	•
<b>LVA 20**</b>		•	•	•	•
<b>LVA 30**</b>				•	•

## Electrical oil level indicators **LEG** series

Technical data

LEG series electrical oil level indicators are supplied with a 3-hole fixing flange and a reed switch having NC-NO contacts.

Designed typically for installation on the vertical walls of oil tanks, these instruments can also be mounted to inspection doors of the OB475 series as indicators of minimum and maximum oil levels in the tank.

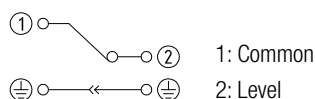
### Warning

To operate correctly, the float must be positioned vertically and at a minimum distance of 35 mm from walls made of ferrous metal.

To change the contact from NC to NO, simply turn the float upside down.

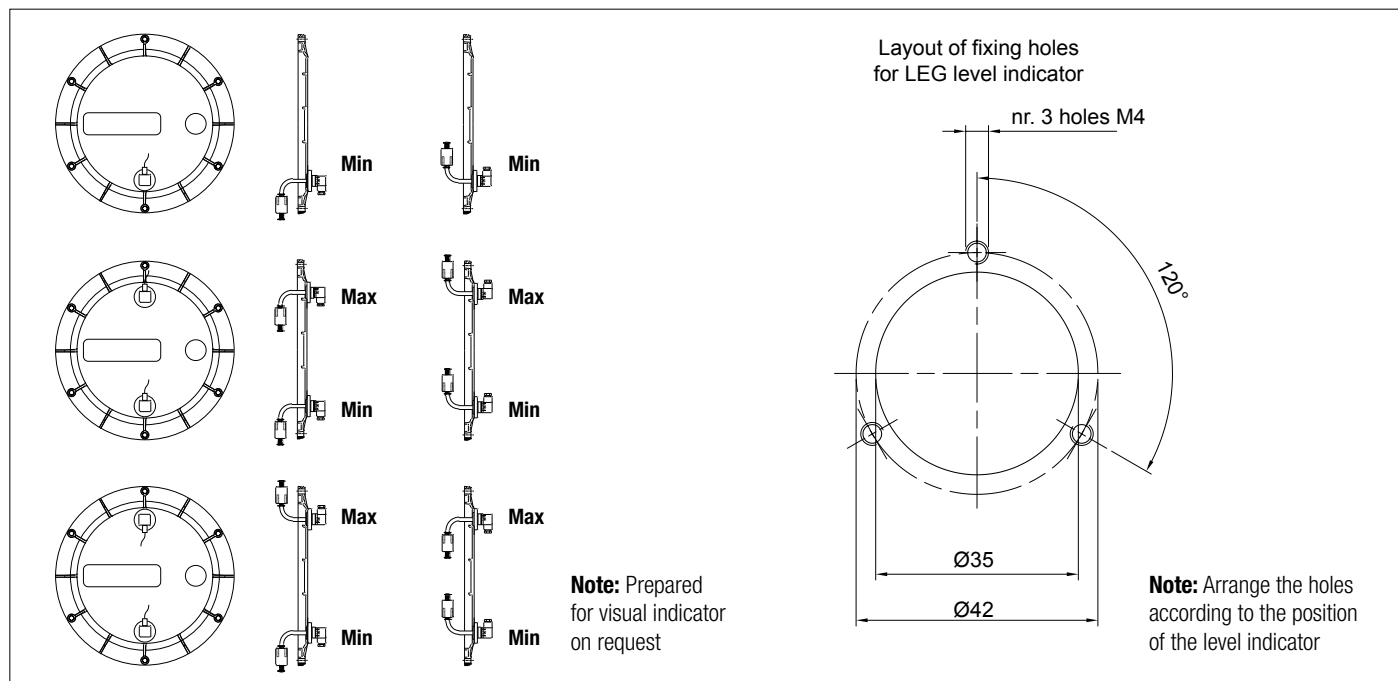
The electrical properties indicated are referred to resistive loads; for capacitive and inductive loads and incandescent lamps, use protection circuits.

### Electrical symbol:

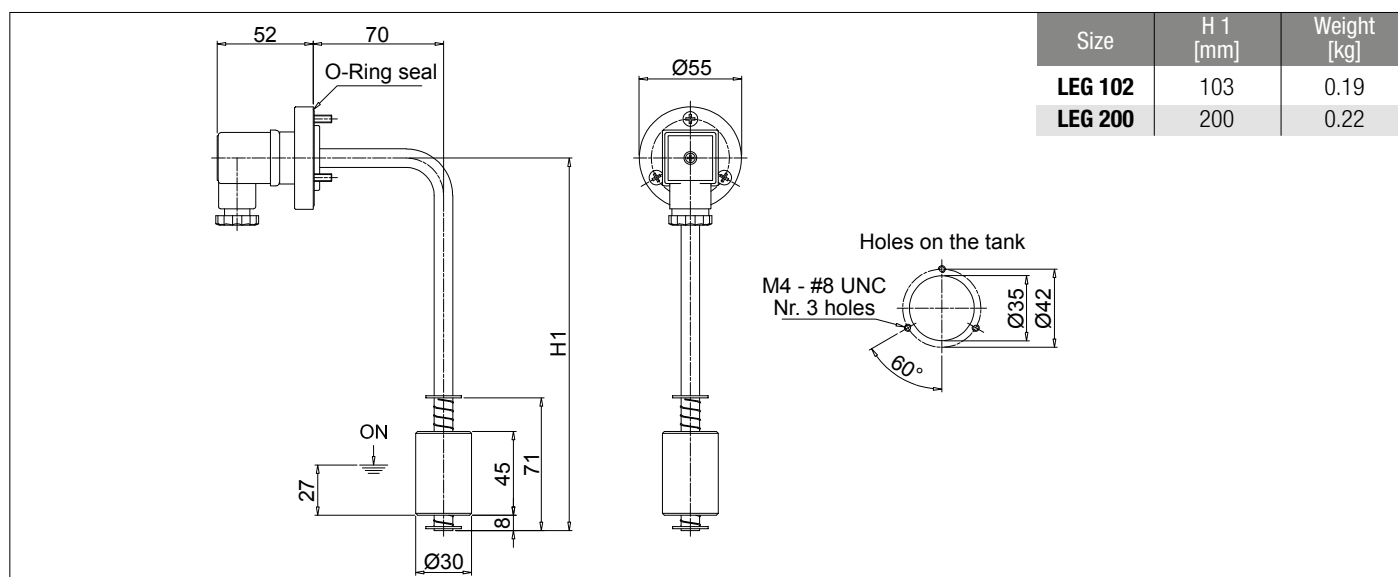


**Note:** to invert the contact status from NC to NO and vice versa, simply invert the float.

## Installation

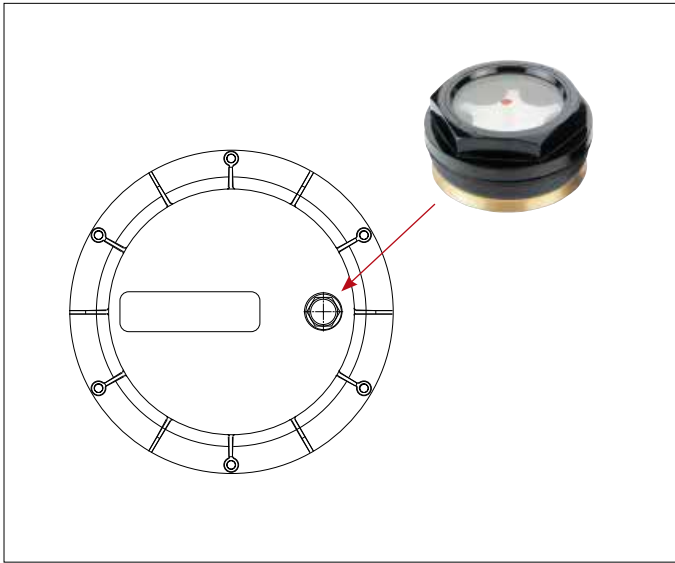


## Dimensions

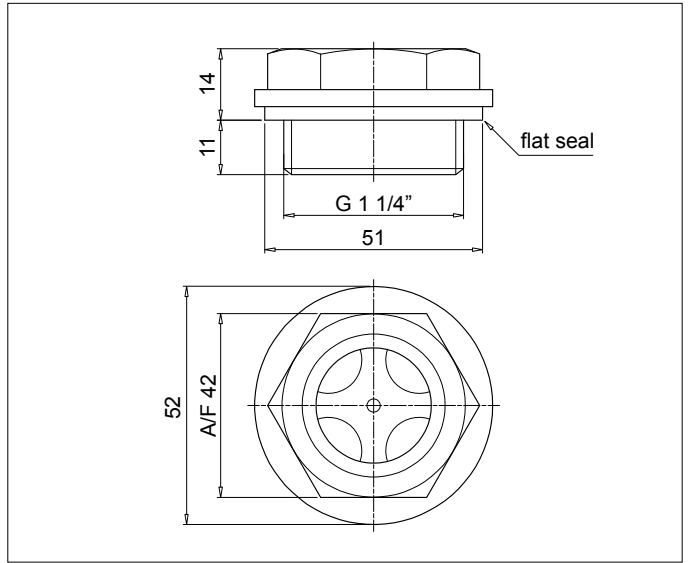


Visual level indicators code **LCPG42N...S**

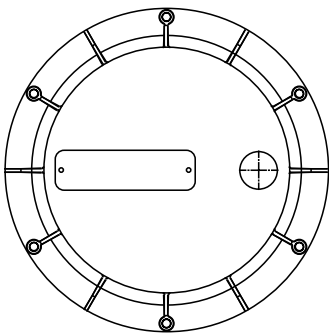
## Installation



## Dimensions



## Available customization



Nameplate with customer logo  
Ordering information: **OB475LOGOP05**

The nameplates applied to the new inspection door are identical to those applied to the old door. The difference with the new door is that nameplates are fixed with rivets.

**For ordering information codes, minimum order quantities, fixing hole positions and other details not indicated in this publication, contact MP Filtri Technical and Sales Department.**

## Technical data

Made of pressure die-cast aluminium alloy, these tanks feature superior strength and optimum design and are ideal for compact hydraulic power units.

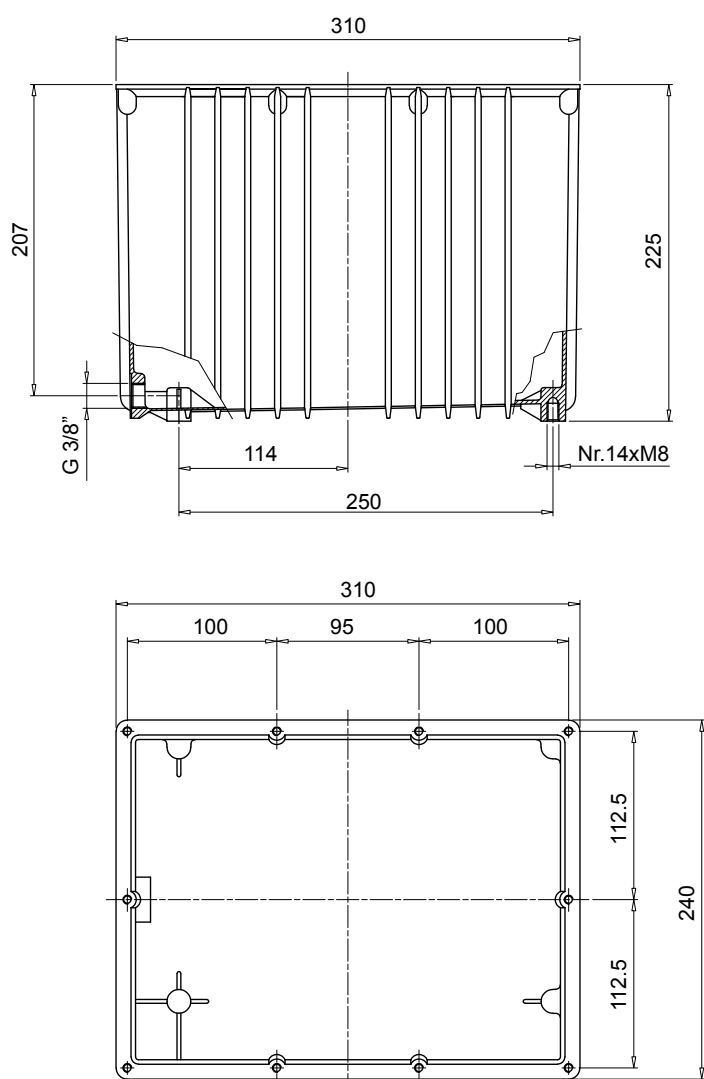
Generously proportioned fins ensure efficient cooling.

The tank is supplied with:

- M6 threaded fixing holes for lid
- feet with M8 threaded fixing holes
- G 3/8" threaded drain hole

The lid is sealed by a gasket made of special paper, which must be ordered separately indicating code "GUS 10.0".

## Dimensions



Code	Weight [kg]
<b>SE10LT</b>	4.0

All data, details and words contained in this publication are provided for use by technically qualified personnel at their discretion, without warranty of any kind.

MP Filtri reserves the right to make modifications to the models and versions of the described products at any time for both technical and/or commercial reasons.

For updated information please visit our website: [www.mpfiltri.com](http://www.mpfiltri.com)

The colors and the pictures of the products are purely indicative.

Any reproduction, partial or total, of this document is strictly forbidden.

All rights are strictly reserved







## WORLDWIDE NETWORK



CANADA  
CHINA  
FRANCE  
GERMANY  
INDIA

RUSSIAN FEDERATION  
SINGAPORE  
UNITED ARAB EMIRATES  
UNITED KINGDOM  
USA

**PASSION TO PERFORM**



[mpfiltri.com](http://mpfiltri.com)