

# LMD 951 series

Maximum working pressure up to 1.6 MPa (16 bar) - Flow rate up to 1200 l/min



# LMD 951 GENERAL INFORMATION

## Description

## Technical data

### Low & Medium Pressure filters

#### Duplex

**Maximum working pressure up to 1.6 MPa (16 bar)**

**Flow rate up to 1200 l/min**

LMD950 is a range of versatile low pressure duplex filter with integrated changeover function to allow the filter element replacement without the system shut-down.

They are directly connected to the lines of the system through the hydraulic fittings.

#### Available features:

- Flanged connections up to 4", for a maximum flow rate of 1200 l/min
- Base-mounting design, for ease of the replacement of the filter element
- Fine filtration rating, to get a good cleanliness level into the system
- Water removal elements, to remove the free water from the hydraulic fluid. For further information, see the Contamination Management document and the dedicate leaflet.
- Balancing valve, to equalize the housing pressure before the switch
- Bypass valve, to relieve excessive pressure drop across the filter media
- Drain ports, to remove the fluid from the housing prior the maintenance work
- Visual, electrical and electronic differential clogging indicators

#### Common applications:

- Systems where shut-down causes high costs
- Systems where shut-down causes safety issues

#### Filter housing materials

- Head: Anodized Aluminium
- Housing: Anodized Aluminium
- Manifolds: Welded - Painted black
- Bypass valve: Steel
- 3-way ball valve: Steel body - Stainless steel ball
- Check valve: Cast Iron body - AISI 304 leaf

#### Pressure

- SAE + DIN Flange
- Test pressure: 2.5 MPa (25 bar)

#### Bypass valve

- Opening pressure 350 kPa (3.5 bar)  $\pm 10\%$
- Other opening pressures on request.

#### Number of filter elements

LMD 951: 2 filter elements CU950-3

#### $\Delta p$ element type

- Microfibre filter elements - series N: 20 bar
- Fluid flow through the filter element from OUT to IN

#### Seals

FPM series V

#### Temperature

From -25° C to +110° C

#### Connections

- LMD 951: In-line Inlet/Outlet
- Same side

#### Note

LMD 951 filters are provided for vertical mounting

## Weights [kg] and volumes [dm<sup>3</sup>]

Filter series	Weights [kg]		Volumes [dm <sup>3</sup> ]	
	DN 80	DN 100	DN 80	DN 100
<b>LMD 951</b>	102	130	62	66

Filter series	Length	Filter element design - N Series					
		A03	A06	A10	A16	A25	M25 M60 M90
<b>LMD 951</b>	<b>3</b>	853	884	995	1066	1096	1233

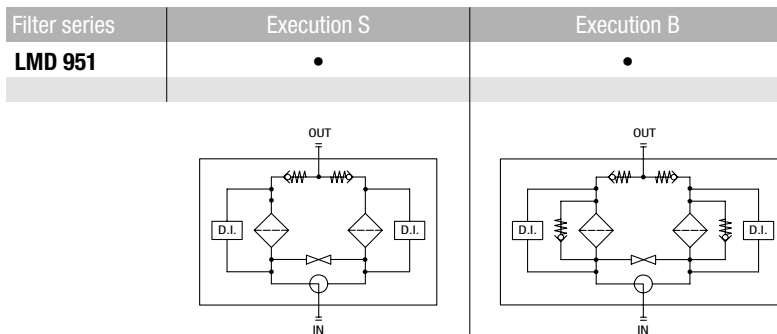
### Maximum flow rate for a complete low and medium pressure filter with a pressure drop $\Delta p = 0.7$ bar.

The reference fluid has a kinematic viscosity of 30 mm<sup>2</sup>/s (cSt) and a density of 0.86 kg/dm<sup>3</sup>.

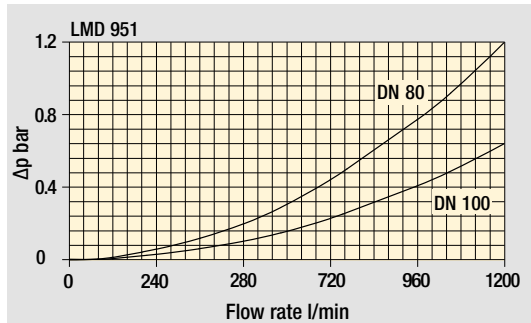
For different pressure drop or fluid viscosity we recommend to use our selection software available on [www.mpfiltri.com](http://www.mpfiltri.com).

You can also calculate the right size using the formulas present on the FILTER SIZING paragraph at the beginning of the full catalogue or at the beginning of the filter family brochure. Please, contact our Sales Department for further additional information.

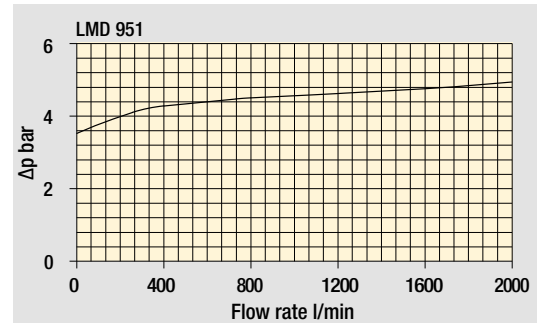
### Hydraulic symbols



### Pressure drop



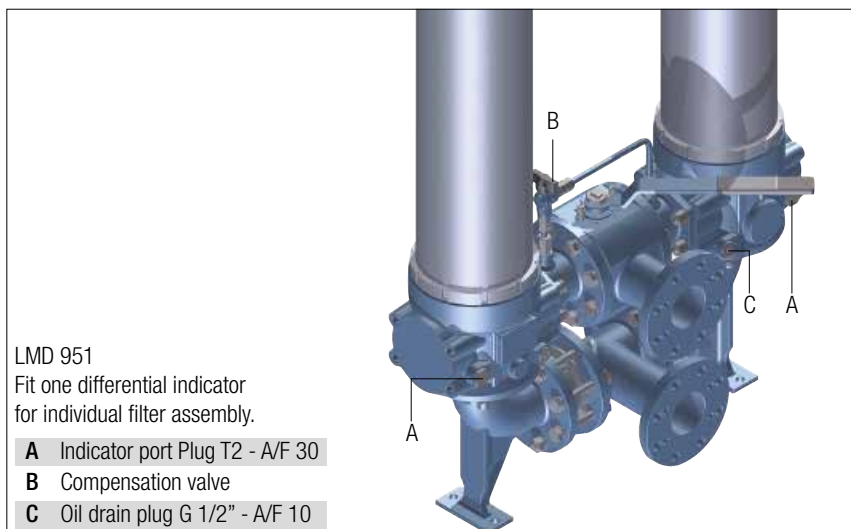
Filter housings  
 $\Delta p$  pressure drop



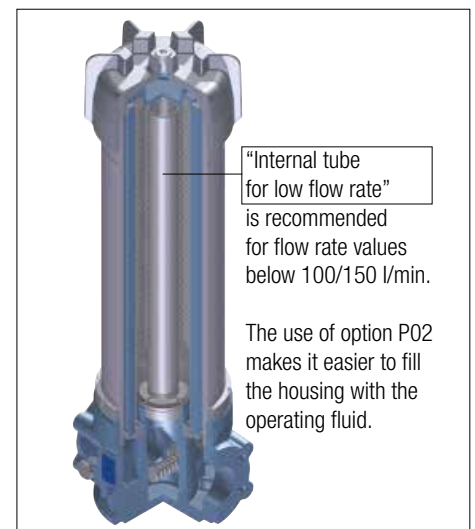
Bypass valve  
pressure drop

The curves are plotted using mineral oil with density of 0.86 kg/dm<sup>3</sup> in compliance with ISO 3968.  $\Delta p$  varies proportionally with density.

### Focus on



### Execution P02



# LMD 951

## Designation & Ordering code

### COMPLETE FILTER

<b>Series and size</b>	Configuration example: <b>LMD951</b> <b>3</b> <b>B</b> <b>V</b> <b>F1</b> <b>A10</b> <b>N</b> <b>P01</b>							
<b>LMD951</b>								
<b>Length</b>	<b>3</b>							
<b>Bypass valve</b>	<b>S</b> Without bypass		<b>B</b> With bypass 3.5 bar					
<b>Seals and treatments</b>	<b>V</b> FPM							
<b>Connections</b>	<b>F1</b> 3" SAE 3000 psi/M <b>F2</b> 3" SAE 3000 psi/UNC <b>F3</b> 4" SAE 3000 psi/M <b>F4</b> 4" SAE 3000 psi/UNC <b>F5</b> 3" SAE 3000 psi/M, In-line connections <b>F6</b> 3" SAE 3000 psi/UNC, In-line connections <b>F7</b> 4" SAE 3000 psi/M, In-line connections <b>F8</b> 4" SAE 3000 psi/UNC, In-line connections							
<b>Filtration rating (filter media)</b>	<b>A03</b> Inorganic microfiber 3 µm <b>M25</b> Wire mesh 25 µm <b>A06</b> Inorganic microfiber 6 µm <b>M60</b> Wire mesh 60 µm <b>A10</b> Inorganic microfiber 10 µm <b>M90</b> Wire mesh 90 µm <b>A16</b> Inorganic microfiber 16 µm <b>A25</b> Inorganic microfiber 25 µm <b>WA025</b> Water absorber inorganic microfiber 25 µm							
	<b>Element Δp</b>				<b>Execution</b>			
	<b>N</b> 20 bar				<b>P01</b> MP Filtri standard <b>P02</b> With internal tube for low flow rate <b>Pxx</b> Customized			

### FILTER ELEMENT

<b>Element series and size</b>	Configuration example: <b>CU950</b> <b>3</b> <b>A10</b> <b>V</b> <b>N</b> <b>P01</b>							
<b>CU950</b>								
<b>Element length</b>	<b>3</b>							
<b>Filtration rating (filter media)</b>	<b>A03</b> Inorganic microfiber 3 µm <b>M25</b> Wire mesh 25 µm <b>A06</b> Inorganic microfiber 6 µm <b>M60</b> Wire mesh 60 µm <b>A10</b> Inorganic microfiber 10 µm <b>M90</b> Wire mesh 90 µm <b>A16</b> Inorganic microfiber 16 µm <b>A25</b> Inorganic microfiber 25 µm <b>WA025</b> Water absorber inorganic microfiber 25 µm							
<b>Seals</b>	<b>V</b> FPM							
	<b>Element Δp</b>				<b>Execution</b>			
	<b>N</b> 20 bar				<b>P01</b> MP Filtri standard <b>Pxx</b> Customized			

### CLOGGING INDICATORS

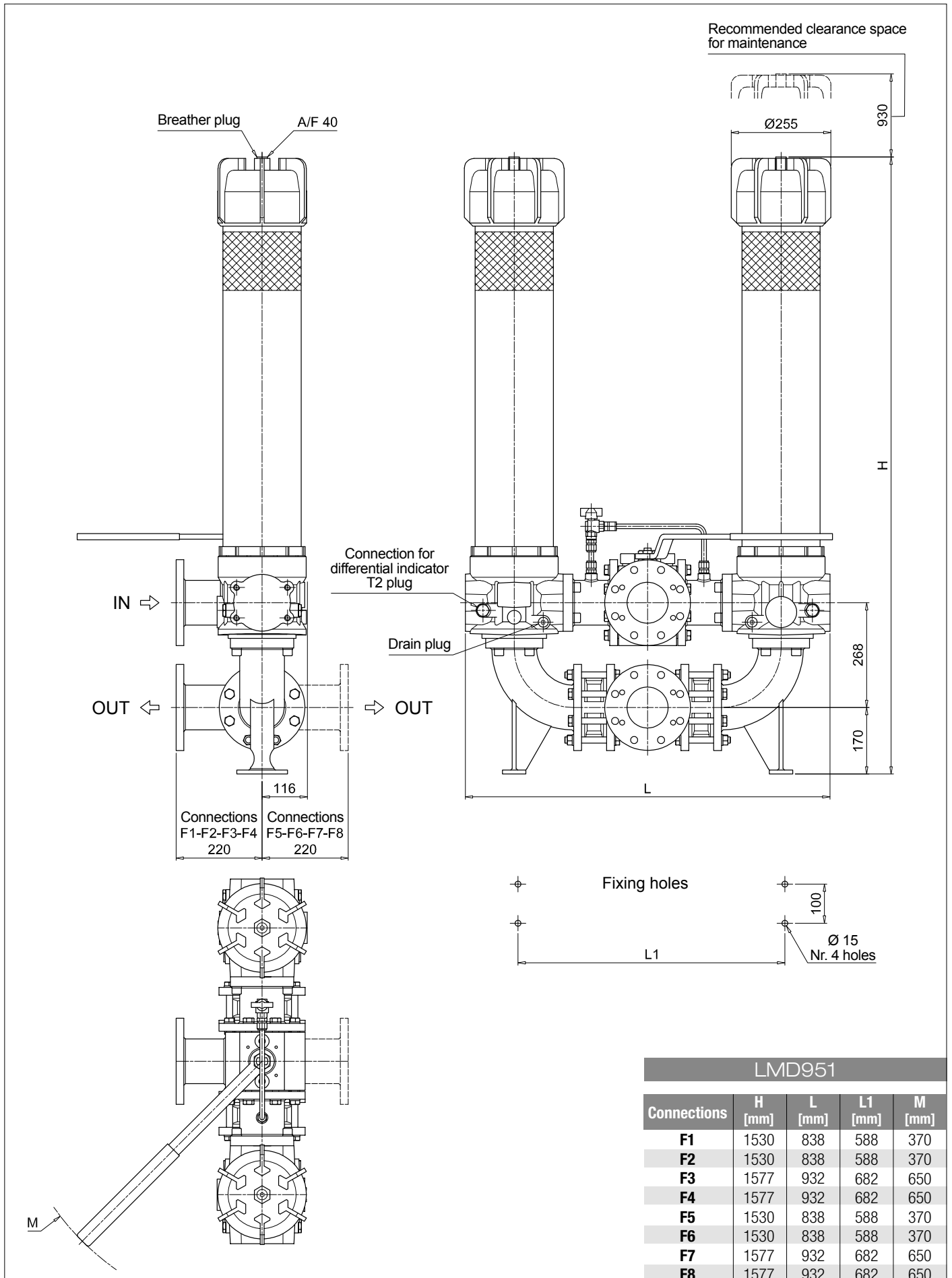
See page 686

<b>DEA</b> Electrical differential indicator	<b>DTA</b> Electronic differential indicator
<b>DEM</b> Electrical differential indicator	<b>DVA</b> Visual differential indicator
<b>DLA</b> Electrical / visual differential indicator	<b>DVM</b> Visual differential indicator
<b>DLE</b> Electrical / visual differential indicator	

### PLUGS

See page 706

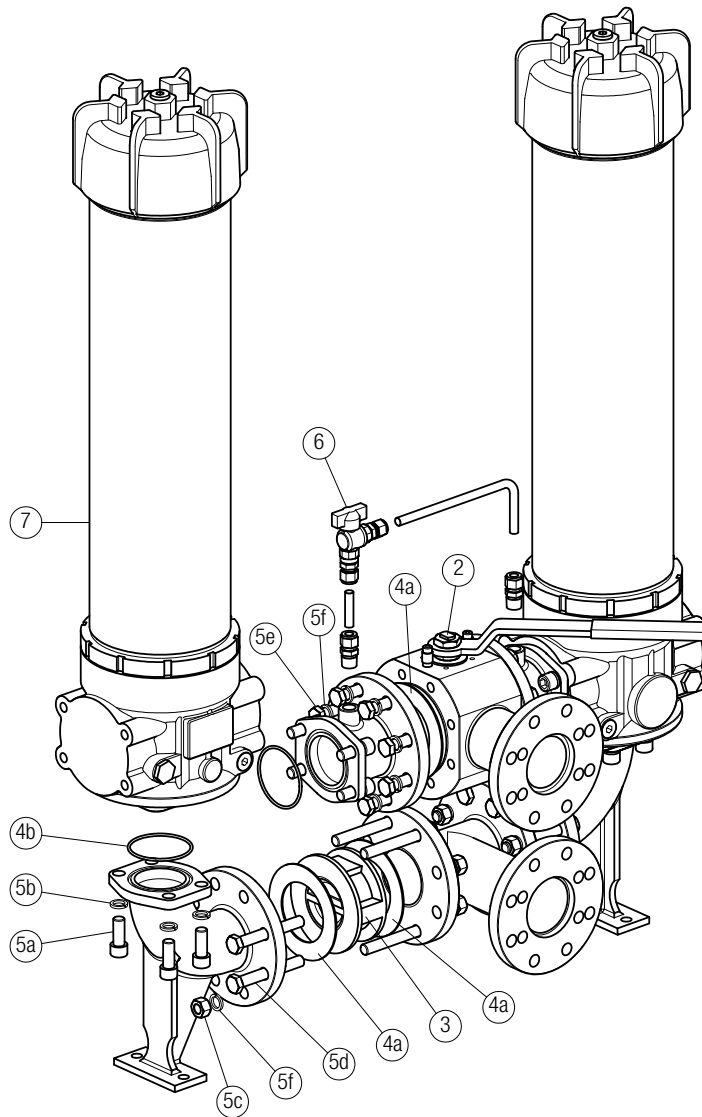
<b>T2</b> Differential indicator plug
---------------------------------------



# LMD 951 SPARE PARTS

Order number for spare parts

LMD 951



Item 7:  
for complete filter code and  
spare parts, see  
LMP 950 - 951 series chapter

Quantity:  
- filter spare parts: 2 pcs.  
- filter seal kit: 2 pcs.

Item:	Q.ty: 1 pc. <b>2</b>		Q.ty: 2 pcs. <b>3</b>	Q.ty: 1 pc. <b>4</b>	Q.ty: 1 pc. <b>5</b> (5a ÷ 5f)	Q.ty: 1 pc. <b>6</b>	Q.ty: 2 pcs. <b>7</b>
Filter series LMD 951	3-way ball valve PN 16		One-way valve	Seal Kit	Threaded fasteners kit	G 1/2" Ball Valve Kit with straight fittings	Filter
<b>F1 - F2 - F5 - F6 / D1 - D3 (3" SAE / DIN PN16 DN 80)</b>	3" SAE 3000 psi/M 02001135	3" SAE 3000 psi/UNC 02001438	02001418	02050388	02049056	02025043	LMP9513xVF1xxxNP01
<b>F3 - F4 - F7 - F8 / D2 - D4 (4" SAE / DIN PN16 DN 100)</b>	4" SAE 3000 psi/M 02001162	4" SAE 3000 psi/UNC 02001439	02001419	02050389	02049057		LMP9513xVF3xxxNP01