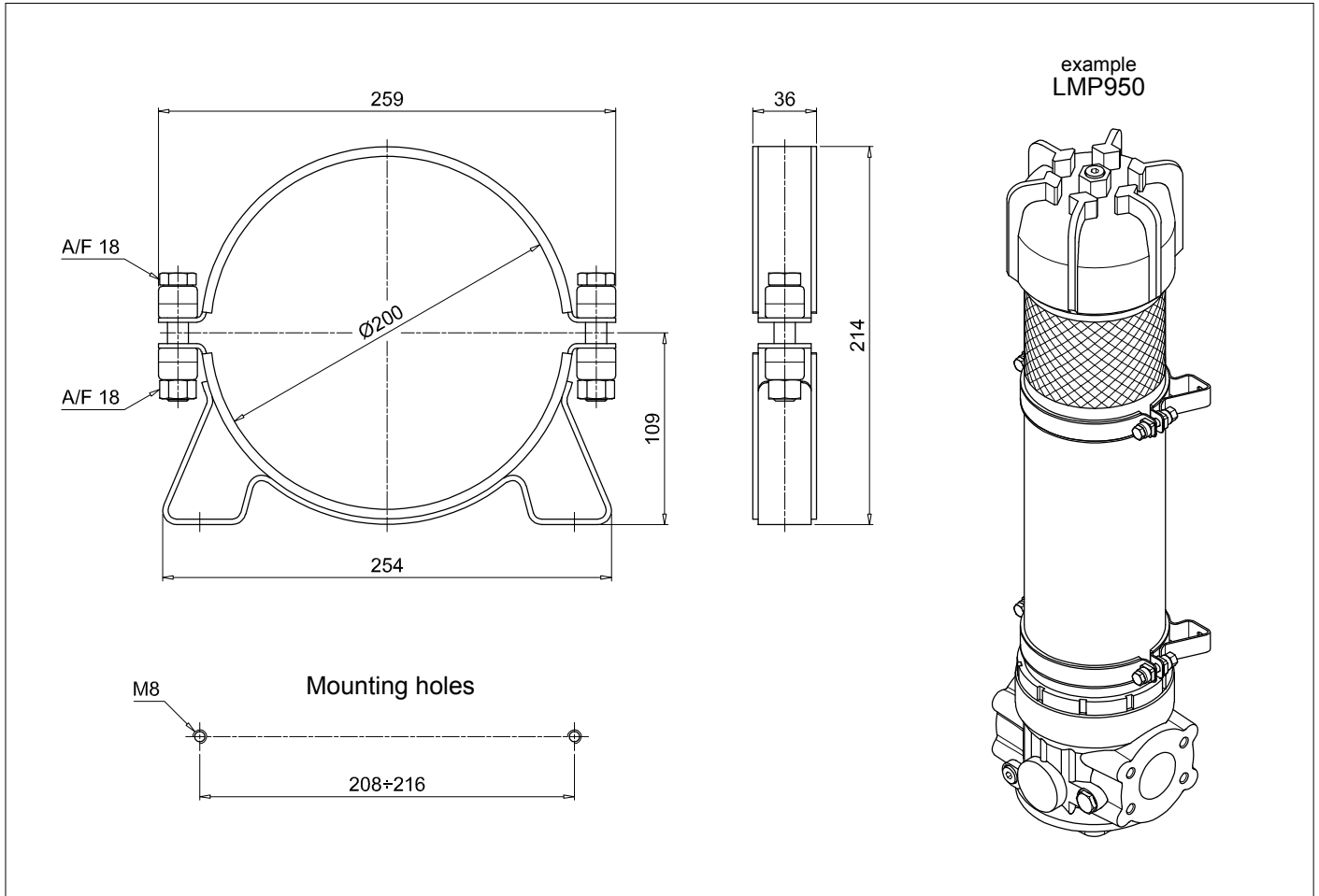


Accessories

RETAINING CLAMP



Series		Configuration example:	CFA	20	M	P01
CFA	Retaining clamp					
Size						
20						
Screw						
M	Metric					
Execution						
P01	MP Filtri standard					