

EM1 series

Pressure gauge isolator



Technical data

Accessories

Pressure gauge isolator

Gauge isolator valves are designed to protect pressure gauges from pressure shocks when the pressure reading is not required; after each reading setting the selector to the closed position serves to depressurise the pressure gauge by means of the T fitting connected to the reservoir.

Working instructions:

- Button not pressed: pressure gauge isolated
- Button pressed: pressure gauge reading
- Button pressed and turned (either to left or right): button remains in position and pressure gauge measures pressure continuously.
- To isolate the pressure gauge from pressure reading, turn the button until it returns to the not pressed position.

Materials A-B

- Body: Cast iron
- Pin: Steel
- Seals: NBR
- Knob/cover: Polyamide
- Stop ring: Steel
- Spring: Steel
- Nameplate: Aluminium
- Nut-screw: Galvanized steel

Materials C

- Body: Cast iron
- Pin: Steel
- Seals: NBR
- Knob/cover: Polyamide
- Stop ring: Steel
- Spring: Steel
- Nameplate: Aluminium
- Nut-screw: Galvanized steel
- Plug: Anodized steel

Operating pressure

400 bar

Operating temperature

From -25 °C to + 100 °C

Weight

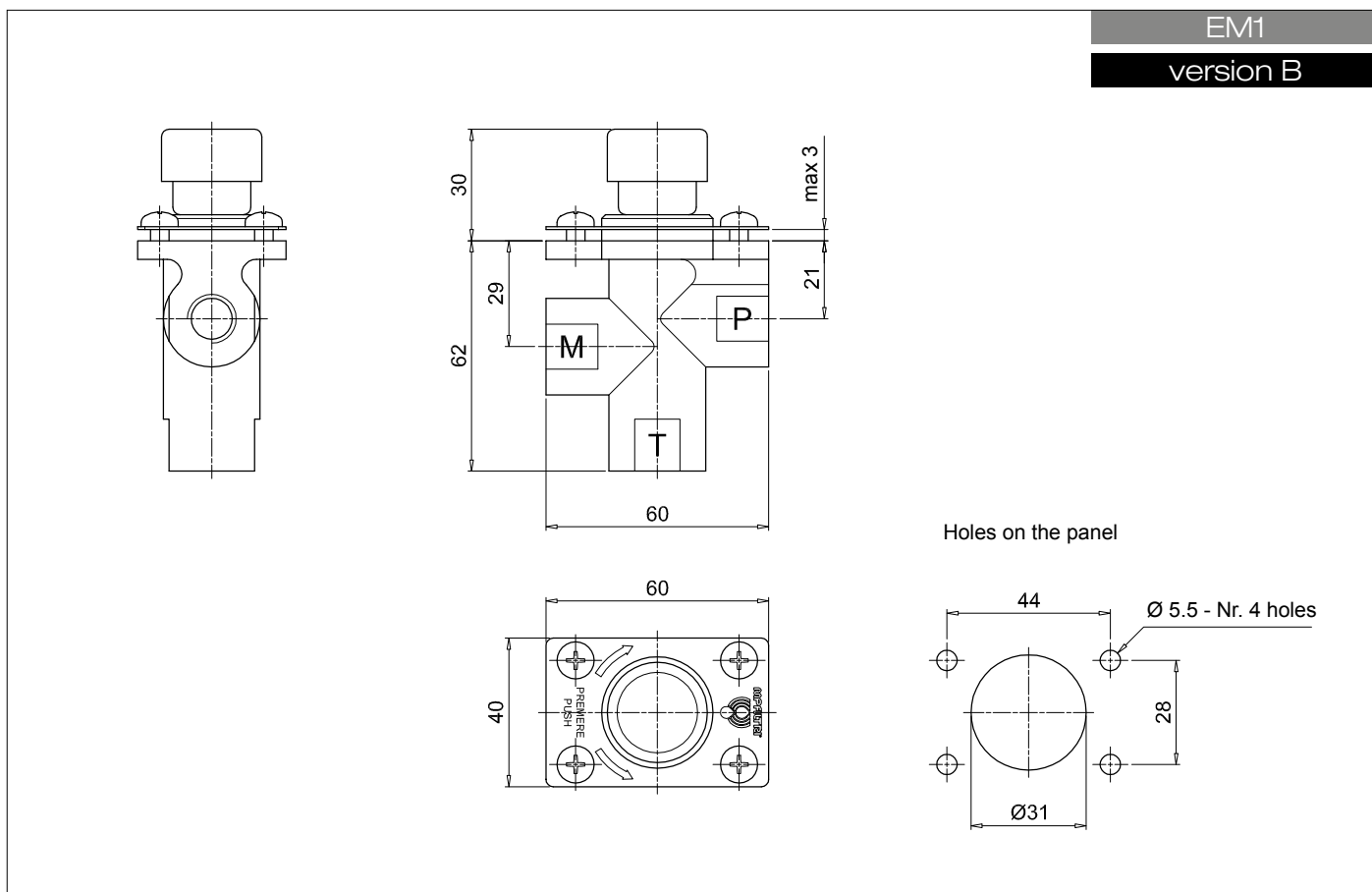
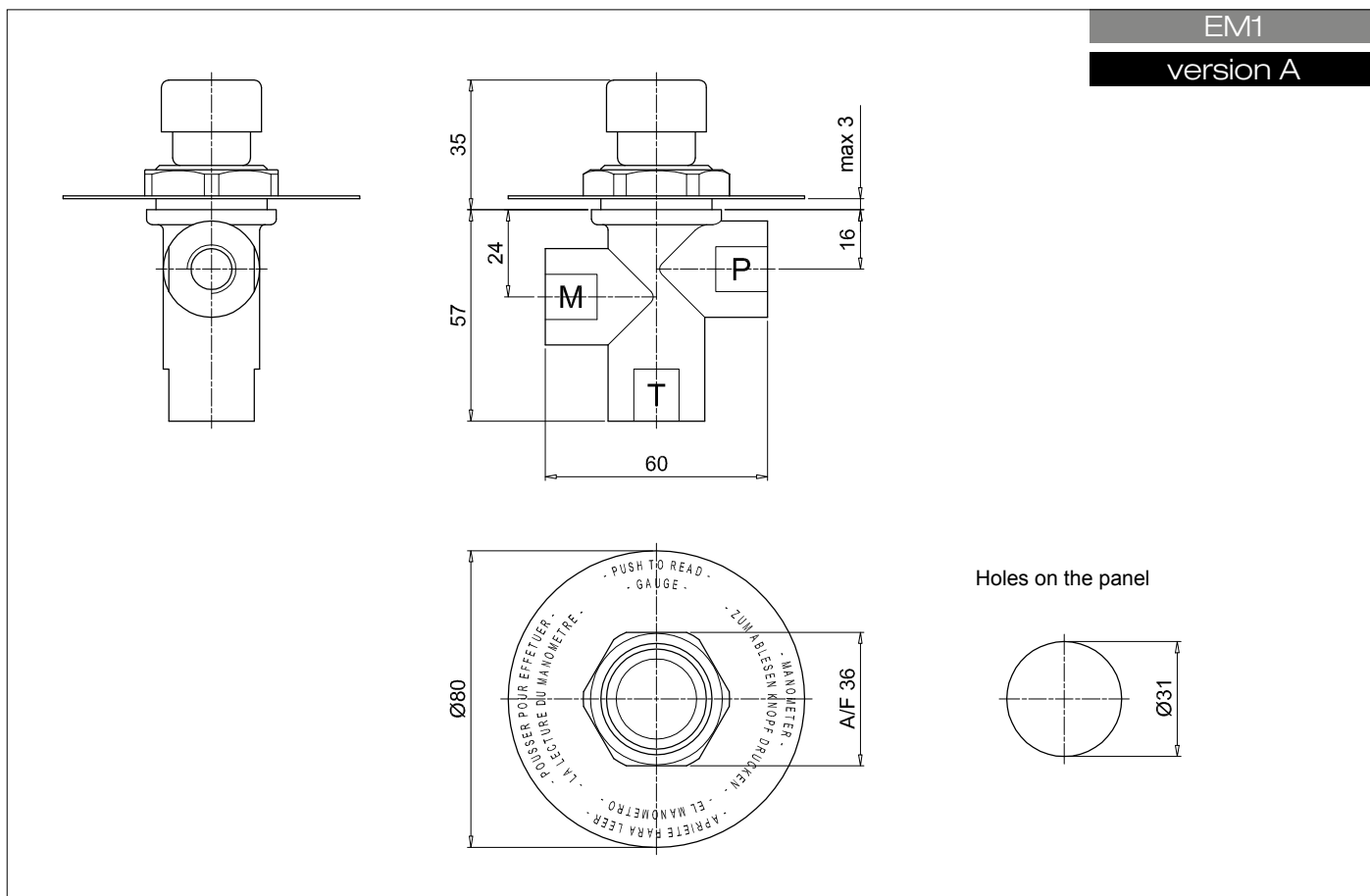
EM1 version A	0.41 kg
EM1 version B	0.44 kg
EM1 version C	1.00 kg



Designation & Ordering code

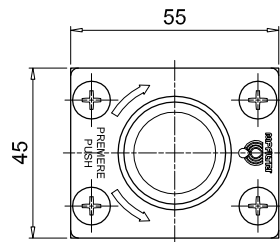
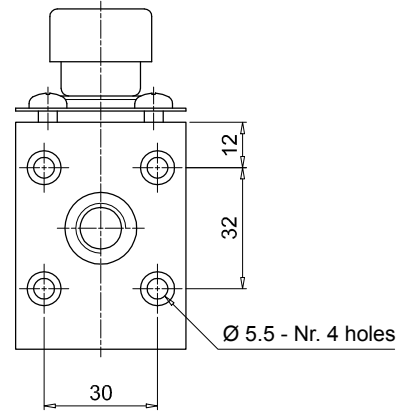
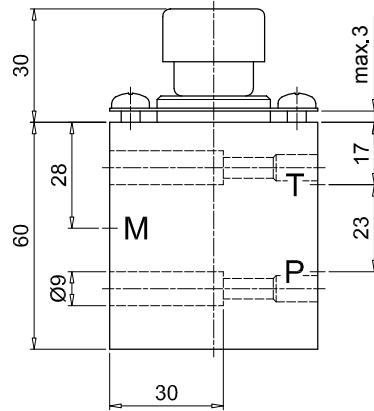
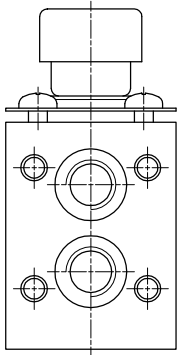
COMPLET PRESSURE-GAUGE ISOLATOR

Series		Configuration example : EM1 A G2 A P01				
EM1						
Version		G1	G2			
A	Threaded connections, panel mount with hex nut	•	•			
B	Threaded connections, panel mount with screws	•	-			
C	Manifold/threaded connections, panel mount with screws	•	-			
Connection						
G1	G 1/4"					
G2	1/4" NPT					
Seals						
A	NBR					
Execution						
P01	MP Filtri standard					
Pxx	Customized					



EM1

version C



Holes on the panel

