

A guide to select the correct bell-housing and drive coupling components

DATA REQUIRED

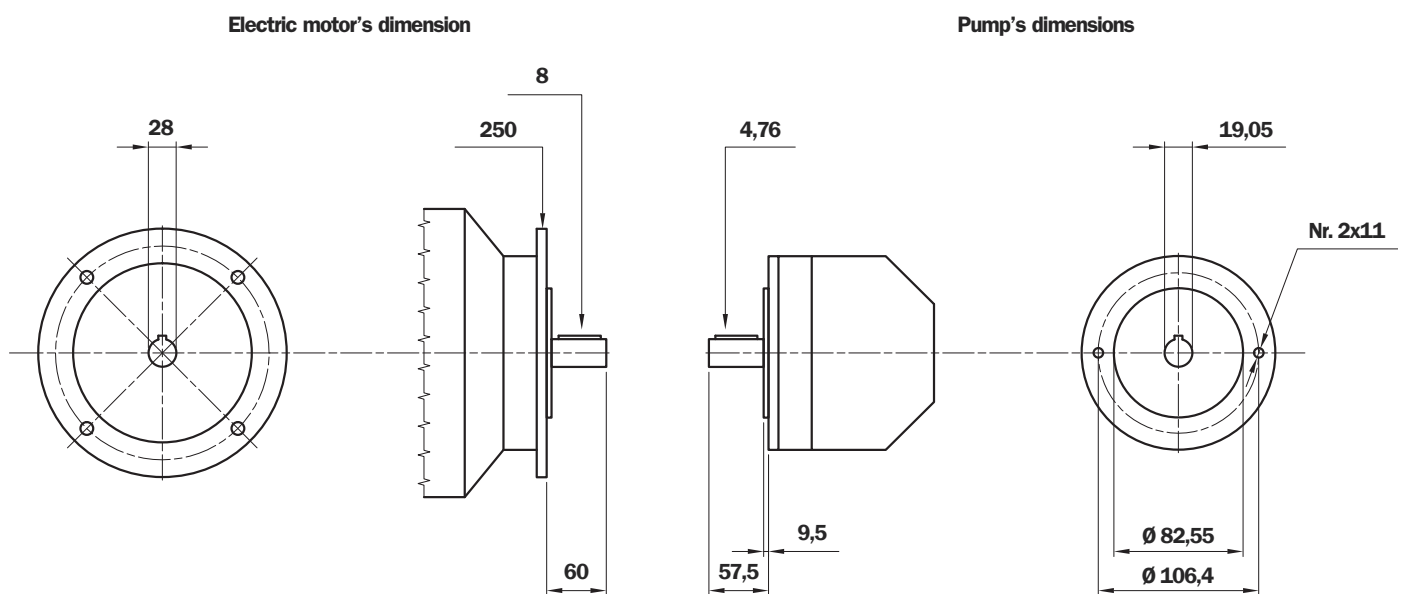
Electric motor power/motor size
 Manufacturer and pump type

TO VERIFY:

- 1 - Pump and motor shaft dimensions (see page 67)
- 2 - Shaft and flange pump (see pump data sheet)

Example:

- Electric motor 2 kW - 4 poles - Motor size 110/112
- Atos pump code PFE31 - Shaft 1



Bell-Housing's length calculation

- $H = 60 + 18 + 57,5 = 135,5$ mm (18= Sp spider - see page 49)
- Choose type of bell-housing (LMC - LMS)
 - For LMC see tab. 3 at page 11
 - For LMS see tab. 22 at page 32
 - For MODUL 2/3 see at page 36

Note: The length of bell-housing must be \geq than the length calculated (135,5 mm)

Case A - solution with LMC bell-housing

Tab. 3 at page 11 - for electric motor 2 kW LMC 250
 LMC 250 bell-housing with height $\geq 135,5$ - LMC250AFSQ

- The bell-housing code must be completed with drilling pump code (see tab. 35 at page 47)
 For the specific case C= 82,5 - Nr. 2 holes M10: Code drilling O60
- Definitive bell-housing code **LMC250AFSQ060**

Case B - solution with LMS bell-housing

Tab. 22 at page 32 - for electric motor 2 kW LMS 250
 LMS 250 bell-housing with height $\geq 135,5$ - LMS250AFSQ

- The bell-housing code must be completed with drilling pump code (see tab. 35 at page 47)
 For the specific case C= 82,5 - Nr. 2 holes M10: Code for. 060
- Definitive bell-housing code **LMS250AFSQ060**

Choose coupling

- **Motor half-coupling** (see tab. 38 at page 50)

- For electric motor Gr. 100/112, the half-coupling is **SGEA21M05060**

- **Spider** (see tab. 36 - 37 at page 49)

- For SGEA21, EGE2 - EGE2RR

(choose spider material on the base of the application, oil, temperature and cycle machine, etc.)

- **Pump half-coupling**

- Choose the drilling code tab. 44 - 45 at page 53 for shaft 19,05 - Ch. 4,76 - code: **G01**

- Half-coupling length = L BH length - THK Spider - THK Spigot

LMC= 138 mm - 60 - 18 - 9,5= 50,5 mm

LMS= 148 mm - 60 - 18 - 9,5= 60,5 mm

- LMC - Choose the half-coupling's length on tab. 39 at page 50 $\leq 50,5$ mm.

- LMS - Choose the half-coupling's length on tab. 39 at page 50 $\leq 60,5$ mm.

- LMC - Availabe length for SGEA21= 50 mm

- LMS - Availabe length for SGEA21= 60 mm

- LMC=LMS - Code half-coupling code: **SGEA21G01050**

Software for automatic calculation available on the web site
www.mpiltri.com - tools - software

Note: For multi pumps we recommend to use a specific support on the base of the pump's dimensions and weight.

Half-coupling SGE*** series

The half-couplings series SGE*** allow secure transmission between the electric motor and the driven side; they are able to absorb shocks and vibration, in addition to compensating radial misalignment, angular and axial.

The assembly of the couplings can be horizontal/vertical, withstanding vibration and load reversals.

The complete range of couplings are extrapolated from the on-line software, with a length equal than the shaft on which must be mounted and they are completed with grub screw for fixing located on the key.

Available for cylindrical shaft with metric and imperial dimensions as well for splined shafts as per specification DIN, ISO and SAE.

Admissible misalignment radial, angular and axial

Max admissible radial misalignment

Half coupling	R (mm)
SGE * 01	0,5
SGE * 21	1,0
SGE * 31	1,0
SGE * 40	1,0
SGE * 51	1,5
SGE * 60	1,5
SGE * 80	2,0
SGE * 90	2,0

Max admissible angular misalignment

Half coupling	β (°)
SGE * 01	
SGE * 21	
SGE * 31	
SGE * 40	1,5°
SGE * 51	
SGE * 60	
SGE * 80	
SGE * 90	

Max admissible angular misalignment

Half coupling	A (mm)
SGE * 01	2,0
SGE * 21	2,5
SGE * 31	3,0
SGE * 40	3,5
SGE * 51	3,5
SGE * 60	3,5
SGE * 80	4,0
SGE * 90	5,0

Normative ATEX 94/9/CE

Half-couplings SGE*** series are available to use in hazardous area.

The couplings are certified according to ATEX 94/9/CE (ATEX 95).

Category certified 2G - area 1 and 2.

Other information available on our web site "www.mpfiltri.com".

MP Filtri couplings are developed with:

CAD 3D



FEM (calculation)



Drawings 3D available on website www.mpfiltri.com at section TOOLS/2D-3D COMPONENTS

Sizing of half-coupling

The half-couplings SGE*** series are in conformity to normative **DIN 740/2**.
The max torque to transmit is always less than the max torque that the coupling can transmit.

Examples verification of the coupling

Torque transmitted by electric motor:

Mt: $9560 \times \text{kW} / \text{rpm} = \text{Nm}$

Me > $\text{Mt} \times \text{S} = \text{Nm}$

Where:

Mt: Torque transmitted by electric motor

Me: Torque transmitted by coupling (see table 14)

kW: Power of electric motor

Rpm: Revolutions per minute of electric motor

S: Service factor (see table 14)

TABLE 1

Small pumps, uniform load, low operating pressures e.g. rotary action machine tools - 5/8 work cycles per hour	1.3
Small pumps, uniform load, high working pressures e.g. lifting equipment - 120-150 work cycles per hour	1.5
Pumps, non-uniform load e.g. lifting equipment - 280-300 work cycles per hour	1.7

Example

Electric motor, 4 pole - 4 kW

hydraulic pump, uniform load, low operating pressure

Mt: $9560 \times 4 / 1500 = 25.45 \text{ Nm}$

Me > $25.49 \times 1.3 = 33 \text{ Nm}$

Half-coupling SGEA21 meets the above requirement.

Select the half-coupling of the calculated size from the motor half-couplings table.

Note: When selecting the coupling, remember that for pumps with splined shaft, only cast iron couplings of the SGEG series can be used.

Determine the size of the coupling according to the type of installation and application envisaged, on the basis of the following formulas and tables:

TABLE 2

Half-coupling type	External diameter mm	Nominal torque Me - Nm	Maximum transmissible torque Me - Nm
ALUMINIUM	SGEA01	15	20
	SGEA21	160	190
	SGEA31	340	380
	SGEA51	550	620
CAST IRON	SGEG01	20	30
	SGEG30	400	450
	SGEG40	550	620
	SGEG60	760	850
	SGEG80	2200	2500
	SGEG90	5500	6100
STEEL	SGES40	550	620
	SGES60	760	850
	SGES80	2200	2500

Nominal and maximum torque values are referred to couplings assembled with standard flexible spiders of the **EGE**** series (see page 49).

Where higher torques are to be transmitted, use flexible spiders of the **EGE**RR** series (see page 49).

Noise

Noise is a particularly pervasive problem so much so that there have been statutory regulations in place now for some years, designed to limit harmful occupational exposure. Many of the machines used in industry today are equipped with oil-hydraulic systems, which happen to be a major source of noise.

1. Theory and definition of noise

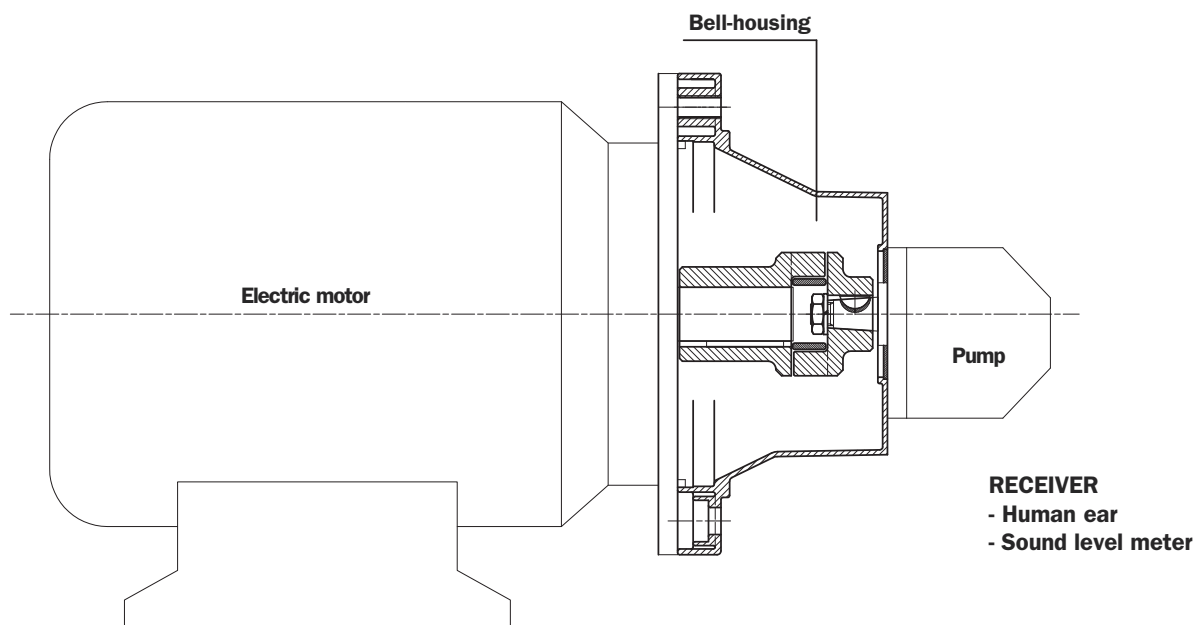
From a health and hygiene standpoint, noise can be defined as an unpleasant and undesirable sound, or an unpleasant and annoying or intolerable auditory sensation (noise being any sound phenomena that may be accompanied by sensations of disturbance and pain). By definition, acoustic phenomena are oscillatory in character, propagated in a flexible medium and causing pressure variations at the points, and the areas adjacent to those points, through which they pass.

2. Sound

Technically considered, certain elements must be present simultaneously for acoustic phenomena to occur:

- Sound source
- Transmission medium
- Receiver

Motor and pump unit



The **electric motor** and the **pump**, together with the drive coupling, are the **SOURCE OF THE NOISE**.

The **Bell-housing** is the noise transmission medium.

Depending on whether the monobloc bell-housing is a rigid or low noise type, there will be variations in the flexible properties of the transmission medium.

The acoustic phenomena are dissimilar in the two cases, given the differences in pressure variation and particle displacement.

Assembly of motor and pump unit

As mentioned in the presentation, low noise bell-housing will help to attenuate the transmission of vibrations and the emission of noise generated by the system.

Self-evidently, however, the mere adoption of a low noise bell-housing will achieve little unless the motor and pump are correctly installed on the machine, or on the tank of the hydraulic power unit.

- Should be followed in order to achieve best possible results and correct installation:

1. Motor and pump unit mounted horizontally on oil tank lid

- The suction pipe attached to the pump must be rigid, and fitted using a resilient bulkhead flange of the FTA series, which helps to cushion the vibrations propagated between the pipe and the tank lid. If pipes need to be bent, the radius of curvature must be at least 3 times the pipe diameter. Do not use elbow fittings, as these will significantly increase pressure losses.
- The pressure pipeline of the pump must be flexible, and long enough to include bends with the minimum radius of curvature recommended by the manufacturer for the specified operating pressure.
- The return pipeline running from the service to the filter must be flexible. Where oil is returned directly to the tank of the hydraulic power unit through a rigid pipe, it is advisable to use a resilient bulkhead flange of the FTR series, which helps to cushion the vibrations propagated between the pipe and the tank lid.
- Anti-vibration devices (resilient mounts or damping rods) must be located under the feet of the electric motor or the PDM foot brackets, depending on the mounting position of the motor.
- The lids of hydraulic oil tanks must be sturdy enough to support the load they carry.

2. Motor and pump unit mounted horizontally on machine

- As a matter of good practice, the oil tank and motor-pump unit should be mounted on a single supporting frame of strength sufficient to support the load.
- If the hydraulic system is fitted with a side-mounted filter, the suction pipeline to the pump must be flexible, and long enough to include bends with the minimum radius of curvature recommended by the manufacturer.
- If the suction filter is not side mounted, the pipeline should be rigid and installed in conjunction with a compensating coupling.
- The pressure pipeline of the pump must be flexible, and long enough to include bends with the minimum radius of curvature recommended by the manufacturer for the specified operating pressure.
- The return pipeline running from the service to the filter must be flexible. Where oil is returned directly to the tank of the hydraulic power unit through a rigid pipe, it is advisable to use a resilient bulkhead flange of the FTR series, which helps to cushion the vibrations propagated between the pipe and the tank lid.
- Anti-vibration devices (resilient mounts or damping rods) must be located under the feet of the electric motor or the PDM foot brackets, depending on the mounting position of the motor.

Note: The above guidelines are indicative only, and subordinate to the solutions adopted ultimately by design engineers.

In conclusion: For best results, in any event, the motor-and-pump unit should be incorporated into the hydraulic system in such a way that no one component is rigidly associated with another, resulting in the propagation of vibration, and consequently noise.

Table of summary MODUL 2/3

	5.5 - 7.5 kW	11 - 22	30	37 - 45	55 - 90	110 - 200	250 - 400
	7.5 - 10.2 Hp	15 - 30 Hp	40.80 Hp	50.32 - 61.2 Hp	75 - 125 Hp	150 - 272 Hp	340 - 544 Hp
	Size 225 - D. 450	Size 160/180 D. 350	Size 200 - D. 350	Size 225 - D. 450	Size 250/280 D. 550	Size 315 - D. 660	Size 355/400 D. 800
MODUL 3	<p>BMT300 BMT350 FR1*</p> <p>AR*</p> <p>Ø 190 Ø 85</p> <p>Kit of assembly KVG5 (Q.ty 1) + Kit of assembly KVG1 (Q.ty 1)</p>						
	<p>BMT350 BMT400 BMT450 FP5 FP6 FP7</p> <p>AD*</p> <p>Ø 190 Ø 140 Ø 288</p> <p>Kit of assembly KVG5/7 (Q.ty 2)</p>						
MODUL 2	<p>BMT550 BMT660 BAD800 FP6 FP7 (BAD800 ONLY FP7)</p> <p>Ø 288</p> <p>Kit of assembly KVG6/7 (Q.ty 1)</p>						
	5.5 - 7.5 kW	11 - 22	30	37 - 45	55 - 90	110 - 200	250 - 400
7.5 - 10.2 Hp	15 - 30 Hp	40.80 Hp	50.32 - 61.2 Hp	75 - 125 Hp	150 - 272 Hp	340 - 544 Hp	
Size 225 - D. 450	Size 160/180 D. 350	Size 200 - D. 350	Size 225 - D. 450	Size 250/280 D. 550	Size 315 - D. 660	Size 355/400 D. 800	

Modular bell-housing components

MODUL 2/3

Modular bell-housing components are used to connect **UNEL-MEC electric motors with B3 - B5** flanges to piston, vane and screw type hydraulic pumps.

The advantage of modular design is that a wide range of motor and pump combinations can be covered with relatively few components.

This means that dealers can simplify their inventory while still being able to service the majority of applications envisaged.

The strength of these components will also guarantee top reliability, even in the toughest of applications.

Suitable for electric motors from **size 132, rated 5.5 kW**, up to **size 400, rated 400 kW**.

Technical specifications

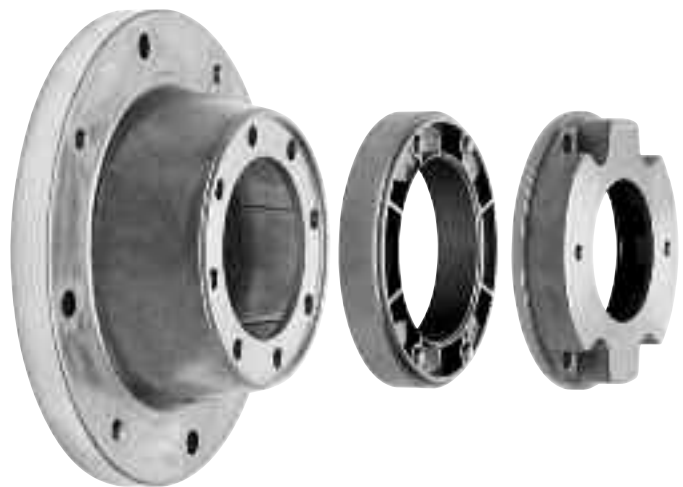
MODUL 2/3

Materials

- **Base module**
Pressure diecast aluminium alloy.
- **Pump flange**
Alluminium alloy.
- **Intermediate adapter**
Alluminium alloy.
- **Foot bracket**
Pressure diecast aluminium alloy.
- **Gaskets**
Special paper (Guarnital).

Temperature

- $-30^{\circ}\text{C} \div +80^{\circ}\text{C}$
For temperatures outside this range,
contact the MP Filtri Technical and Sales Department.



Compatibility with fluids

- **Modular bell-housing components compatible for use with:**

Mineral oils

Types HH-LL-HM-HR-HV-HC, to ISO 6743/4 standard

Water based emulsions

Types HFAE - HFAS, to ISO 6743/4 standard

Water glycol

Type HFC, to ISO 6743/4 standard

Ask for anodized version

Special Applications

- **Any applications not covered by the normal indications contained in this catalogue must be evaluated and approved by the MP Filtri Technical and Sales Department.**

Motor base

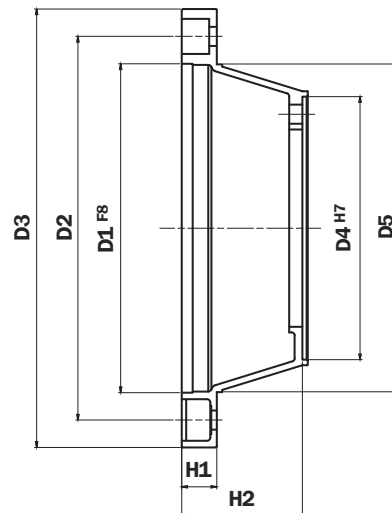
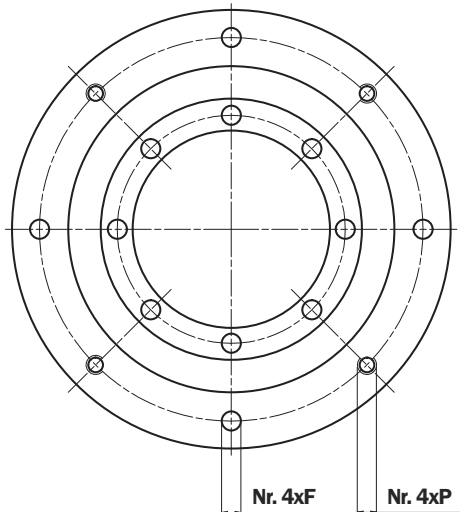


TABLE 24 - MODUL 3

Motor 4-pole 1500 rpm				Dimensions of motor base													
Frame size	kW	Hp	Shaft	Code	Foot bracket code	D1	D2	D3	D4	D5	H1	H2	F.	Nr.	P	Nr.	Weight (kg)
132	5.5-7.5	7.5-12.5	38x80	BMT300A0805	PDM A 300	230	265	300	190	234	24	80	M12	4	14	4	1,95
160	11-15	15-20	42x110	BMT350A1105	PDM A 350	250	300	350	190	260	32	110	M16	4	18	4	3,10
180	18.5-22	25-30	48x110	BMT350A1105	PDM A 350	250	300	350	190	260	32	110	M16	4	18	4	4,90
200	30	40	55x110	BMT400A1106	/	300	350	400	240	300	32	110	M16	4	18	4	4,90
225	37-45	50-60	60x140	BMT450A1406	/	350	400	450	240	350	32	140	M16	8	/	/	5,00

For dimension see page 55

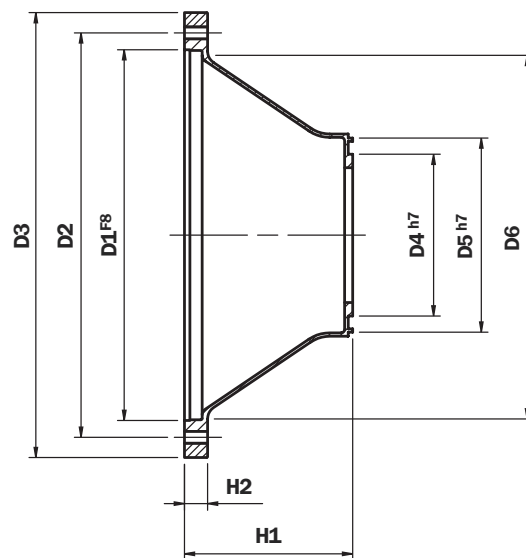
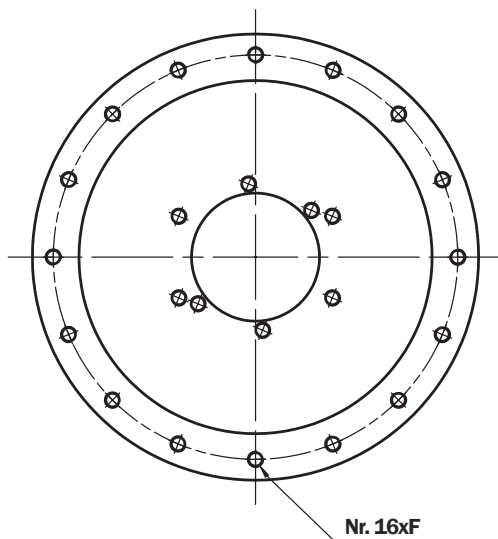


TABLE 25 - MODUL 2

Motor 4-pole 1500 rpm				Dimensions of motor base														
Frame size	kW	Hp	Shaft	Code	Foot bracket code	D1	D2	D3	D4	D5	D6	H1	H2	F.	Nr.	P	Nr.	Weight (kg)
250	55	75	65x140	BMT550A21567	/	450	500	550	240	288	450	215	32	M16	16	/	/	8,40
280	75-90	100-125	75x140	BMT550A21567	/	450	500	550	240	288	450	215	32	M16	16	/	/	8,40
315	110-200	100-125	80x170	BMT660A25067	/	550	600	660	240	288	550	250	35	M20	16	/	/	12,00
355	250-315	340-428	95x170	BAD800A2707	/	680	740	800	288	/	680	270	40	M20	8	/	/	31,00
400	355-400	483-544	100x210	BAD800A2707	/	680	740	800	288	/	680	270	40	M20	8	/	/	31,00

Not available

Intermediate adapter

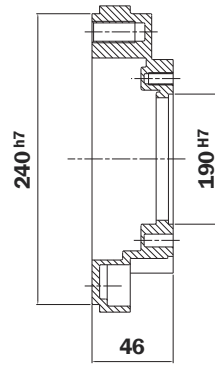


TABLE 26

Application with Motor base	Application with Pump Flange	Code Adapter	Fastening kit Motor base	Fastening kit Pump Flange	Weight (kg)
BMT400A1106 BMT450A1406	FP6 *** **	AD60465	KVG6	KVG5	1,30

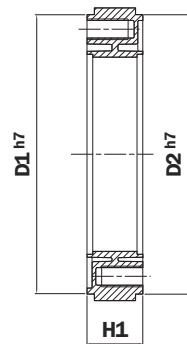


TABLE 27

Application with Motor base	Application with Pump Flange	Code Adapter	Fastening kit Motor base	Fastening kit Pump Flange	D1	D2	H1	Weight (kg)
BMT300A0805 BMT350A1105	FP5 *** **	AD50385	KVG5	KVG5	190	240	38	1,00
BMT400A1106 BMT450A1406	FP6 *** **	AD60466	KVG6	KVG6	240	288	46	1,60

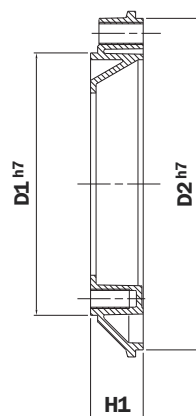


TABLE 28

Application with Motor base	Application with Pump Flange	Code Adapter	Fastening kit Motor base	Fastening kit Pump Flange	D1	D2	H1	Weight (kg)
BMT300A0805 BMT350A1105	FP5 *** **	AD50386	KVG5	KVG6	190	240	38	1,25
BMT300A0805 BMT350A1105	FP5 *** **	AD50467	KVG5	KVG7	190	288	46	1,90
BMT400A1106 BMT450A1406	FP6 *** **	AD60467	KVG6	KVG7	240	288	46	2,50

Pump flange

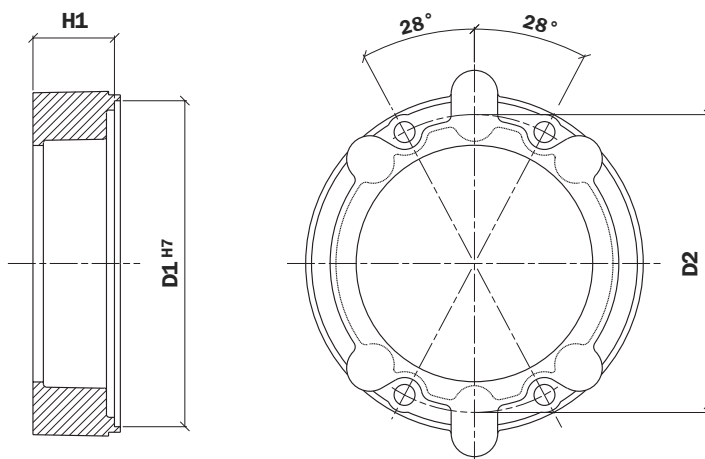


TABLE 29

Code	Flange			Assembly kit	Possible pump interfaces	Weight (kg)
	H1	D1	D2			
FR1023***	23	85	105	KVG1	S024 S025 D042 S061 S063 S083 S023 S070 S071 S072 S075 S125 S154	0,25
FR1025***	25				S021 S026 S068 S069 S080 S082 S115 S237	0,30
FR1033***	33				S021 S023 S026 S027 S070 S071 S072 S074 S080 S082 F260	0,80
FR1035***	35				S060 S063 S065	0,90
FR1040***	40				S098 S227	1,10
FR1079***	79				S031 S116	1,30

TABLE 30

Code	Flange			Assembly kit	Possible pump interfaces	Weight (kg)
	H1	D1	D2			
FP5026***	26	190	170	KVG5	S023-S024-S025-S033-D042-S063-S070-S072-S075-S154-S254	1,00
FP5032***	32				S024-S031-S158-S096-S125	1,10
FP5035***	35				S021-S023-S024-S025-S026-S031-S059-S060-S068-S072-S074-S075-S083-S097-S106-S125-S131-S138	0,90
FP5045***	45				S021-S024-S025-S026-S060-S068-S070-S071-S072-S074-S075-S106-S125-S141	0,90
FP5056***	56				S021-S026-S072	1,61
FP5063***	63				S021-S025-S068-S070-S079-S138-S141	1,70
FP5064***	64				S024-S025-S059-S093-S099-S100-S104	1,70
FP5091***	91				S025-S031-S033-S100-S113-S115-S116-S267	2,20
FP6032***	32	240	218	KVG6	S021-S035-S081-S082	1,80
FP6045***	45				S021-S025-S026-S027-S069-S070-S075-S077-S080-S081-S082-S125-S198-S207-S215-S253	2,10
FP6058***	58				S024-S025-S026-S027-S038-S077-S078-S079-S080-S081-S082-S207-S215-S237	2,40
FP6070***	70				S080-S270	3,00
FP6082***	82				S038-S080-S081-S116-S141-S198-S215	3,30
FP6086***	86				S021-S026-S027-S077-S078-S090-S092-S166-S091-S114-S132-S198-S200	3,40
FP6101***	101				S027-S035-S113-S115-S132-S148-S176-S228	4,20
FP6110***	110				S080-S111	5,50
FP7052***	52				S028-S092-S108-S112-S133-S192	4,10
FP7066***	66				S090-S092-S166	4,75
FP7069***	69	288	258	KVG7	S108-S143-S148-S158-S192-S19-S201-S204-S281-S282-S288	4,90
FP7086***	86				S022-S027-S028-S091-S092-S108-S112-S117-S166-S184-S192-S201-S228-S300	5,20
FP7111***	111				S028-S091-S112-S117-S144-S145-S184	6,30

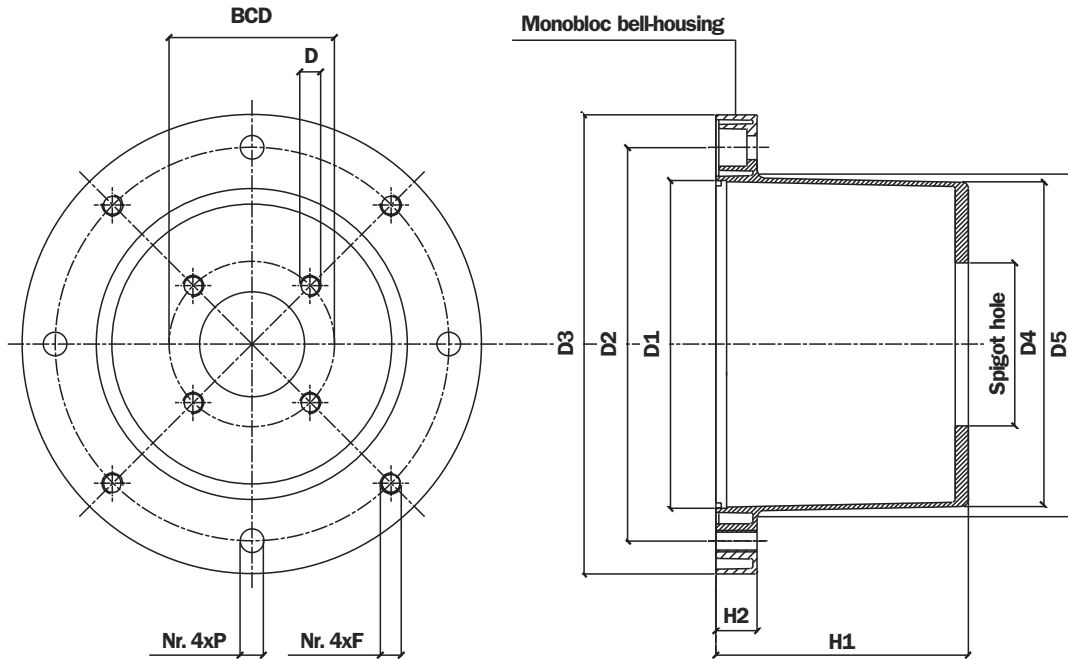
Complete the order designation with the pump interface code: Ex. **FP5026S023**

Monobloc bell-housing for NEMA motors

Monobloc bell-housings for NEMA motors are standard products of the LMC series used normally for electric motors manufactured to European standards.

These bell-housings must be used in combination with specific **ADNEMA 143 TD** and **ADNEMA 254 TD** adapters.

For dimensions and clearances of adapter rings see page 45



The auxiliary flange, if specified, is supplied already fitted to the bell-housing (MODUL-2).

- Check that the pump interface dimensions are compatible with those of the bell-housing

Note: The hole made in the tank cover should be 2 mm larger than dimension D5

Machining tolerances

D1	F8
Centraggio	H7
H1	± 0,15 mm

Concentricità D1/Spigot hole

LMC 300	0,20 mm
---------	---------

TABLE31

Bell-housing code	Dimensions of LMC monobloc bell-housing									
	Foot bracket code	D1	D2	D3	D4	D5	H1	H2	F	P
LMC 300AFST***	PDM A 300	230	265	300	230	235	155	23	M12	14
LMC 300AFSX***	PDM A 300	230	265	300	230	235	170	23	M12	14
	For dimension see page 55									

Base module for NEMA motors

BMC series motors base are derived from standard LMC monobloc bell-housings and used as base elements to which **FR/FP5/FP6** series auxiliary flanges can be fixed so as to increase the height of the bell housing or allow the attachment of a pump, which would not be possible using a monobloc bell housing.

Motors base can be used for the installation of NEMA motors in conjunction with specific **ADNEMA 143 TD** and **ADNEMA 254 TD adapters**. For dimensions and clearances of adapter rings, see page 45.

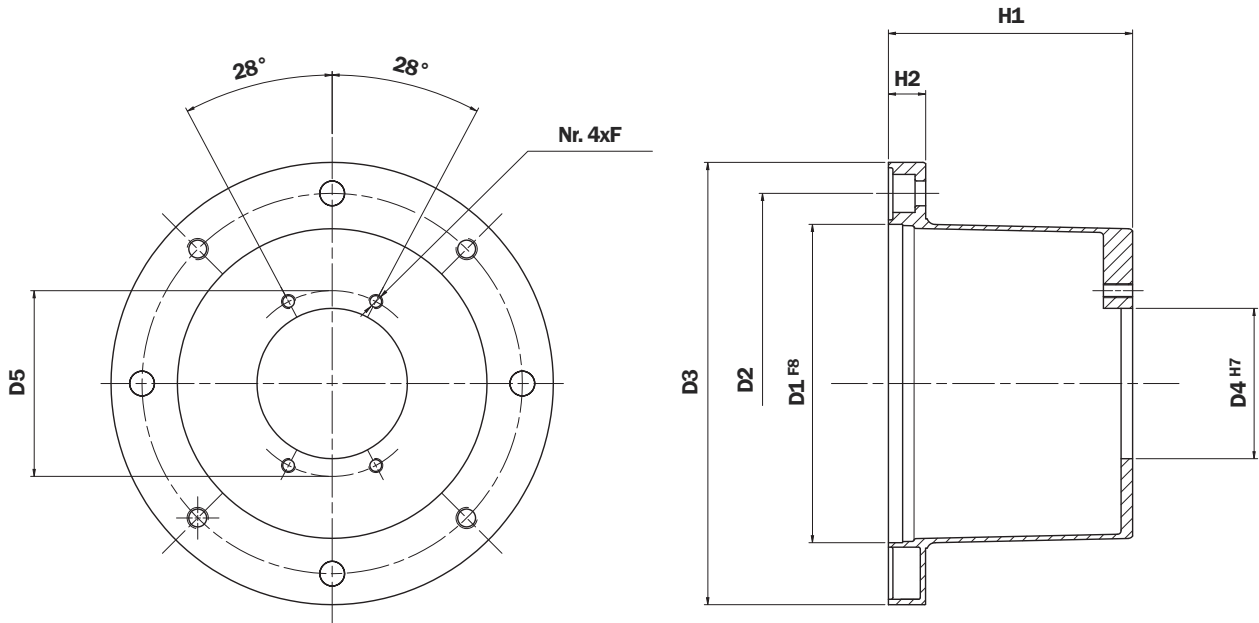


TABLE 32

		Dimensions of BMC motor base								Weight (kg)
Motor base code	Foot bracket code	D1	D2	D3	D4	D5	H1	H2	F	
BMC300A1551	PDM A 300	230	265	300	85	105	155	23	M8	3,30
BMC300A1701	PDM A 300	230	265	300	85	105	170	23	M8	3,30
BMC300A1555	PDM A 300	230	265	300	170	218	155	23	M14	3,30
BMC300A1705	PDM A 300	230	265	300	170	218	170	23	M14	3,30

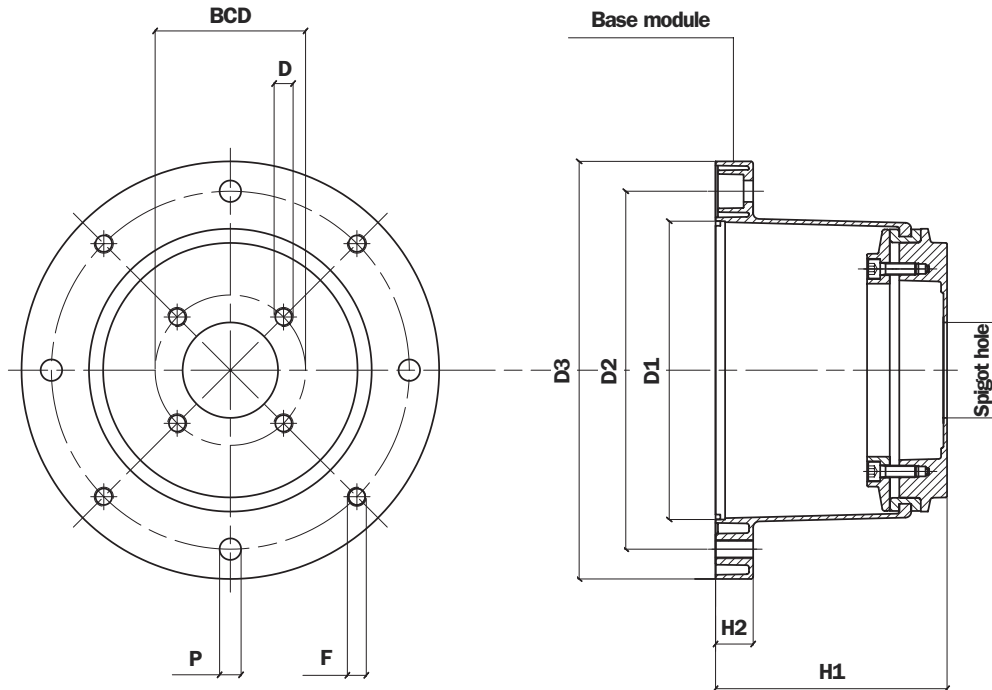
For dimension see page 55

• For pump flange codes, see page 17

Low noise bell-housing for NEMA motors

Low noise bell-housings for NEMA motors are standard products of the LMS series used normally for electric motors manufactured to European standards.

These bell-housings must be used in combination with specific **ADNEMA 143 TD** and **ADNEMA 254 TD** adapters. For dimensions and clearances of adapter rings, see page 45.



- The auxiliary flange, if specified, is supplied already fitted to the bell-housing.

N.B. In order to ensure coaxial alignment between the motor and pump spigot centres, the bell-housing cannot be disassembled and reassembled.

Machining tolerances

D1	F8
Spigot hole	H7
H1	± 0,15 mm

Concentricity of D1/Spigot hole

LMS 300	0,20 mm
---------	---------

TABLE 33

Dimensions of LMS low noise bell-housing								
Bell-housing code	Foot bracket code	D1	D2	D3	H1	H2	F	P
LMS 300AFSC***	PDM A 300	230	265	300	155	23	M12	14
LMS 300AFSD***	PDM A 300	230	265	300	168	23	M12	14

For dimension see page 55

Motor base for NEMA motors - Flange TD

Motors base for NEMA motors are standard products of the BMT series used normally for electric motors manufactured to European standards, which are machined in such a way as to provide the necessary interface for the NEMA motor. Motors base are utilized in conjunction with standard pump flanges of the FP series. For the dimensions of flanges, see page 17.

**Motor base for NEMA motors:
404TD - 405TD - 444TD - 445TD - 447TD - 449TD**

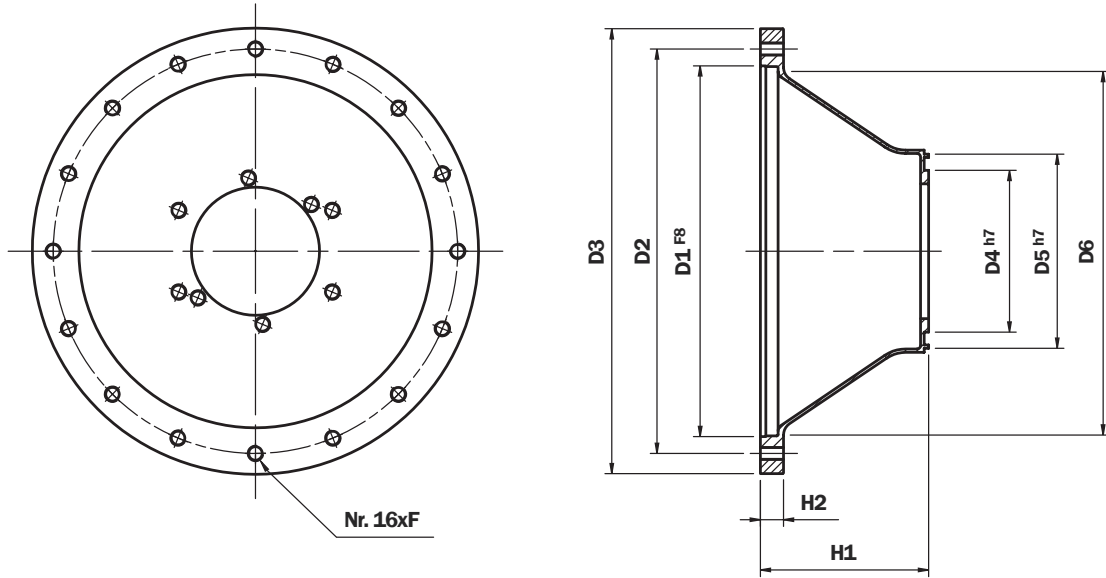
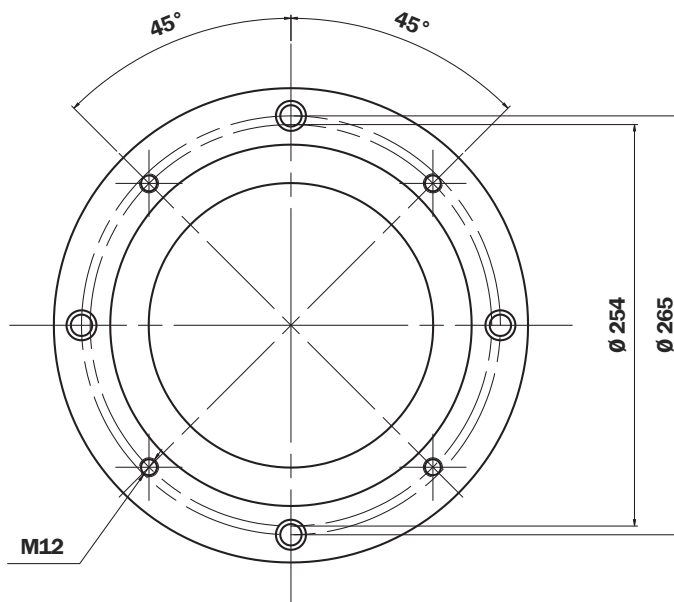
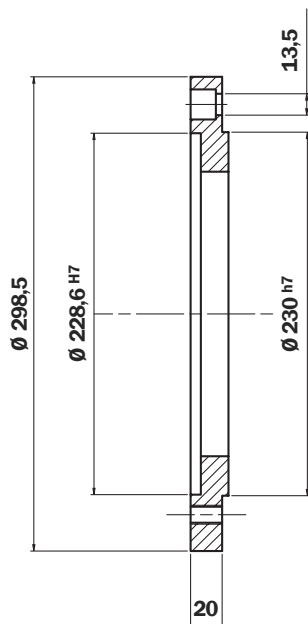


TABLE 34 - MODUL 2

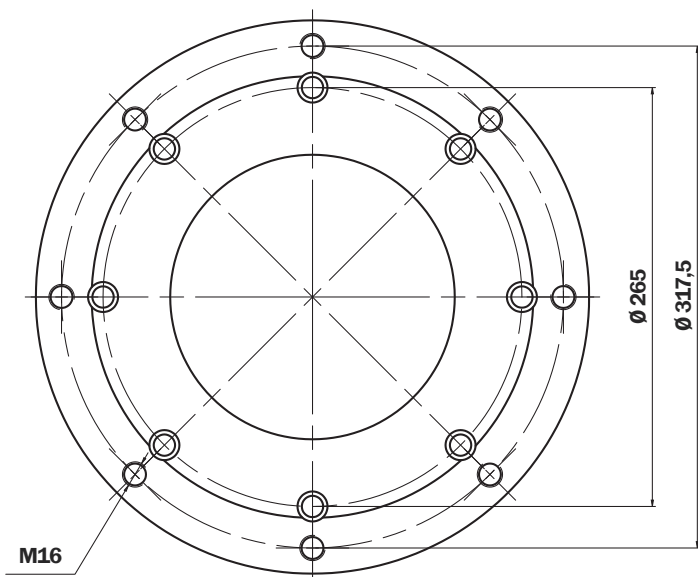
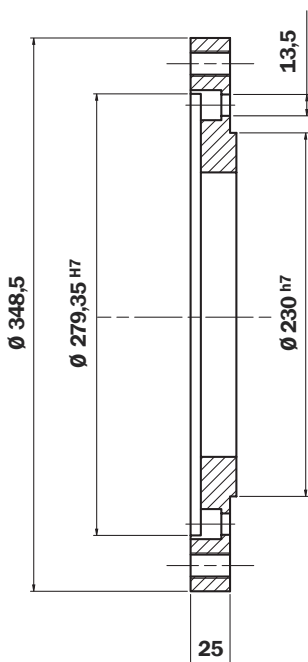
Dimensions of Motor base										
Code	D1	D2	D3	D4	D5	H1	H2	F.	Nr.	Weight (kg)
BMT450NEMA324TD	355,6	406,4	450	240	350	140	32	18	8	5,00
BMT550NAMA404TD	457,2	508	550	240	450	215	32	18	16	8,40

Adapters for NEMA motors - Flange TD

Adapter for NEMA motors NEMA: Cod. ADNEMA143TD
143TD - 145TD - 180TD - 182TD - 184TD - 210TD - 213TD - 215TD
Da montare su lanterne LMC - BMC - LMS - BMT 300



Adapter for NEMA motors NEMA: Cod. ADNEMA254TD
256TD - 284TD - 286TD



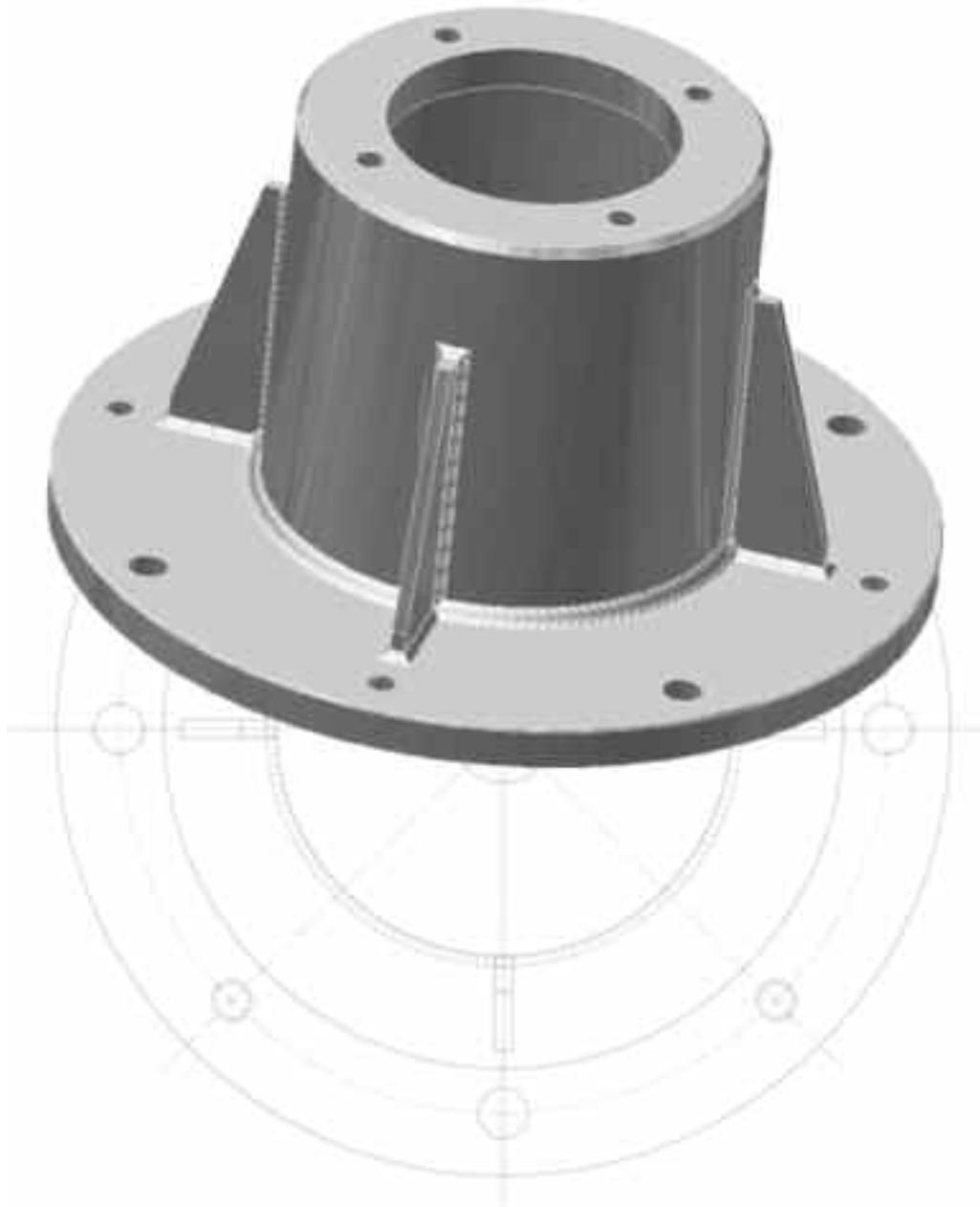
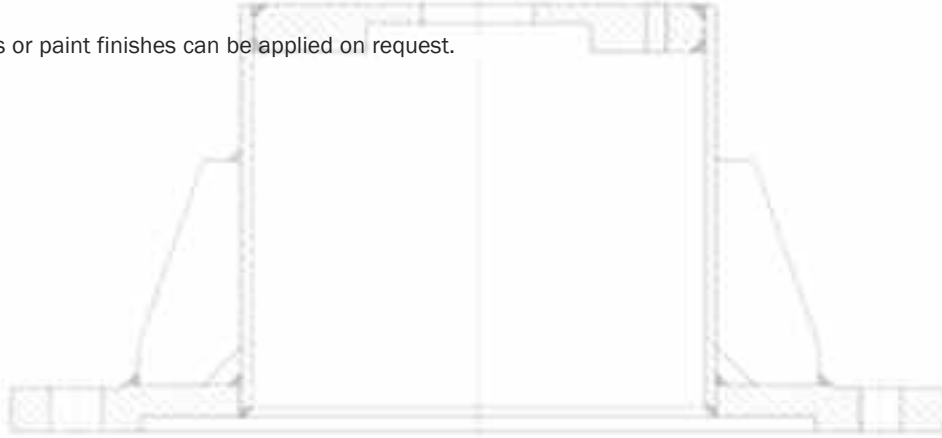
LMC series steel bell-housings

These bell-housings made of welded steel are available for electric motors rated from **0.5** up to **1000 kW**, responding to UNEL-MEC (European) and to NEMA (US) standards. The dimensions can be customized to suit the type of motor-pump combination, or to meet particular customer specifications.

Standard finishes:

- Zinc-treated, white
- Oil-resistant primer, black

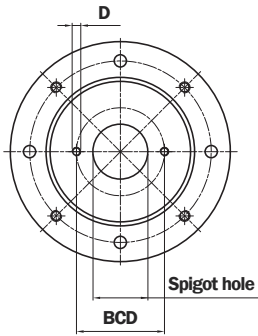
Custom treatments or paint finishes can be applied on request.



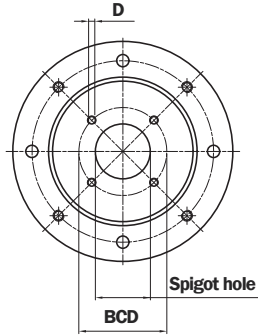
Pump interface codes

Valid configuration for bell-housing up to Ø 400

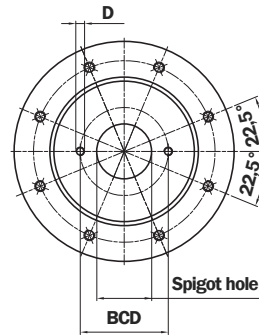
Valid configuration for bell-housing from Ø 450 to Ø 660



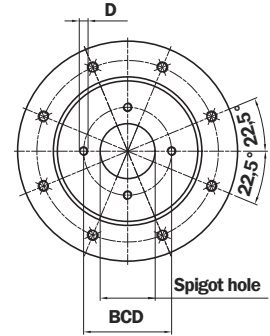
Bell-housing with nr. 2 holes at pump interface, aligned with through holes at motor interface



Bell-housing with nr. 4 holes at pump interface, aligned with thread holes at motor interface



Bell-housing with nr. 2 holes at pump interface + 22,5° compared to through holes at motor interface



Bell-housing with nr. 4 holes at pump interface + 22,5° compared to thread holes at motor interface

TABLE 35 - Drilling pump code to be insert in the box nr. 4 of page 13 (LMC*A) and page 35 (LMS*A)

Spigot hole mm	BCD	D	N° holes	Code	Spigot hole mm	BCD	D	N° holes	Code	Spigot hole mm	BCD	D	N° holes	Code	
40	72	M8	2	191	92	140	M8	4	088	130	165	M10	4	253	
45,2	88,9	M8	4	096	92	145	M10	4	089	135	160	M10	4	151	
	71,8	M8	4	120	95	115	M8	4	137	135	175,4	M12	4	220	
	80	M8	2	052	95,2	127	M10	4	131	140	180	M140	4	077	
	93	M10	2	053	98,4	125	Ø11	4	128	140	180	M12	2	281	
	60	M5	4	280		125	M10	2	023	140	165	M10	4	157	
	63	Ø7	4	057		125	M10	4	025	140	200	M16	4	176	
	93	M8	2	287		125	Ø11	4	032	140	165	M10	4	223	
50,8	82,50	M8	2	050		125	M10	4	031	140	180	M16	2	232	
52	/	/	/	/		125	Ø11	4	032	150	185	M16	4	069	
56	76	M6	4	234		190	Ø15	4	038	152,4	228,6	M16	4	022	
57,15	106,4	Ø11	2	212		125	Ø13	4	041	152,4	228,6	M18	2	090	
	74	M10	4	098		125	M12	2	071	152,4	228,6	M18	41	108	
	98,5	M6	4	147		140	M12	2	072	152,4	217,5	Ø17	4	118	
	75	M6	4	227		146	M12	2	075	152,4	228,6	M20	2	166	
60	157,2	M12	4	231		126	M10	2	106	152,4	228,6	M20	4	192	
	100	M8	2	042		120	M8	4	122	152,4	190,5	M8	4	207	
	125	M6	4	043		160	M10	4	141	160	200	M16	4	027	
	160	M8	4	044		150	M10	4	150	160	200	Ø17	4	035	
	80	M8	2	051		161,5	M12	4	029	160	200	M16	2	091	
	80	Ø8,5	4	058		146	M12	2	070	160	224	M20	2	092	
	100	M10	2	062		127	M12	4	125	160	200	M12	2	107	
	85	M8	4	168		146	M10	2	159	160	230	M22	4	111	
	90	M8	4	271		127	M10	4	224	160	185	M12	4	152	
65	90	M8	4	073		105	146	M12	2	076	160	224	M16	4	184
70	84	Ø7	4	289		110	175	M10	4	110	162	230	22	4	228
71,8	88,9	M10	4	047		110	130	M8	4	154	162	188	M12	4	263
75	102	M10	4	139		110	200	M10	4	202	165,1	317,35	M20	4	143
	100	M8	4	024		110	135	M10	4	219	165,1	317,35	M24	2	145
	103,2	M8	2	045		112	145	M12	4	273	165,1	229	M20	4	201
	100	Ø11	4	059		112	140	M12	2	074	165,1	317,35	M18	4	204
	100	M10	2	061		112	140	M10	2	138	175	200	M12	4	153
	110	M10	2	063		112	130	M10	4	264	175	230	M18	2	185
	140	M10	2	064		115	180	M12	4	198	177,8	350	M24	4	146
	115	M10	2	065		116	160	M14	2	084	177,8	216	M12	4	222
	100	M10	4	067		120	210	M16	2	094	180	350	M24	4	203
	106,4	M10	2	083		120	145	M10	4	155	180	216	13	4	055
	130	M8	4	087		120	150	Ø13	4	267	180	216	M16	4	078
	100	Ø8,5	4	093		125	160	M12	4	026	180	224	M16	4	112
	113	M12	4	104		125	160	Ø13	4	033	180	216	M12	4	132
	95	M8	4	169		125	160	M12	2	079	180	215	M22	4	148
	103	M8	4	242		125	180	M16	2	082	180	230	22	4	226
	110	M10	4	272		125	155	M10	4	102	200	250	M20	4	028
	106,4	M10	2	060		125	160	Ø17	4	113	200	250	Ø22	4	095
	105	M10	4	097		125	200	M12	4	114	200	280	M24	2	117
	106,4	M8	2	254		125	181,2	M16	2	136	200	230,5	M12	4	214
	146	M12	2	260		127	200	M16	4	200	203,2	254	M14	4	210
	110	M10	2	284		127	180	Ø20	4	215	205	240	M16	4	133
85	106,4	M10	2	066		127	170	Ø18	4	237	205	280	M20	4	144
	112	M8	2	134		130	161,5	M12	4	021	224	280	Ø22	4	205
	105	M8	4	156		130	181,2	M16	2	080	250	310	M24	4	238
	118	Ø9	2	163		130	161,5	M14	4	140	250	315	M20	4	282
	112	Ø9	2	164		130	165	Ø11	4	054	275	355	M16	4	233
						130	181,2	M16	2	085	275	355	Ø18	4	281
						130	165	M12	4	124	-	-	-	-	-
						130	165	M14	4	135	-	-	-	-	-