

LMP 124



In-Line Suction and Return Filter



Maximum pressure 80 bar
Flow rates to 160 l/min

Filter housing (Materials)

- Head: Aluminium
- Housing: Cataphoresis Painting
- Bypass valve: Brass - Aluminium

Pressure

LMP 124 length: 1 - 2 - 3 - 4

- Working pressure: 80 bar (8 MPa)
- Test pressure: 120 bar (12 MPa)
- Burst pressure: 380 bar (38 MPa)
- Pulse pressure fatigue test: 1.000.000 cycles with pressure from 0 to 80 bar (8 MPa)

Temperature

- From -25 °C to +110 °C

Bypass valve

- Opening pressure 2.5 bar ±10%
- Other opening pressures on request.

Δp Elements type

- Series N and W elements: 20 bar
- Oil flow from exterior to interior.

Seals

- Standard NBR series A
- Optional FPM series V

Weights (kg)

length

- LMP124 - 1 1,7
- LMP124 - 2 1,9
- LMP124 - 3 2,2
- LMP124 - 4 2,7

Volumes (dm³)

length

- LMP124 - 1 0,75
- LMP124 - 2 0,81
- LMP124 - 3 1,11
- LMP124 - 4 1,53

Compatibility (to ISO 2943)

- Housings compatible with: Mineral oils, synthetic fluids. Aqueous emulsions, water and glycol (series W required).
- The filter elements are compatible with: Mineral oils, synthetic fluids. Aqueous emulsions, water and glycol (series W required).
- NBR seals series A, compatible with: Mineral oils, synthetic fluids, aqueous emulsions and water and glycol.
- FPM seals series V, compatible with: Synthetic fluids type HS-HFDR-HFDS-HFDU

Filter Element Area

Filter element in stainless steel mesh

| Type | Length | | | |
|-------------------------------------|--------|------|------|------|
| | 1 | 2 | 3 | 4 |
| CU 110 | 1302 | 1764 | 2464 | 3864 |
| Values expressed in cm ² | | | | |

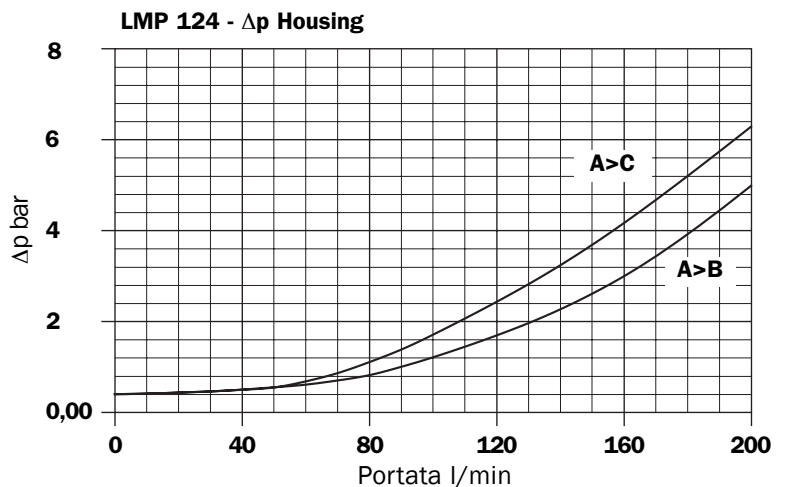
LMP 124



Filter housings Δp pressure drop

The curves are plotted utilising mineral oil with density of 0.86 kg/dm³ to ISO 3968.

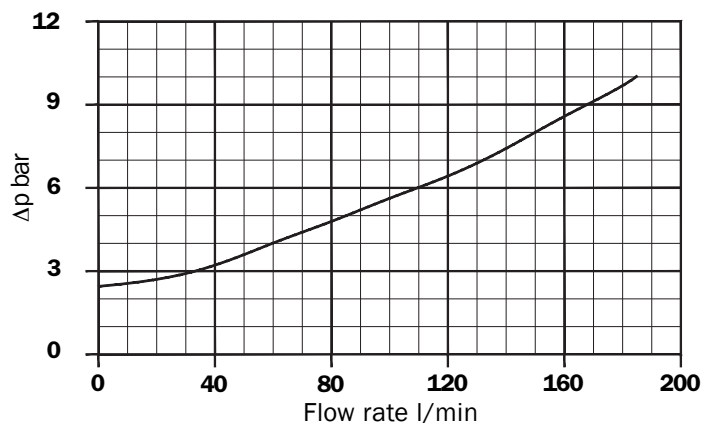
Δp varies proportionally with density.



Valves

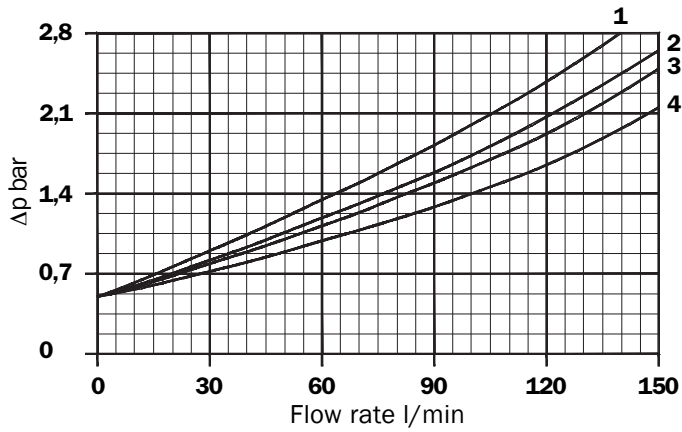
Bypass valve pressure drop

LMP 124

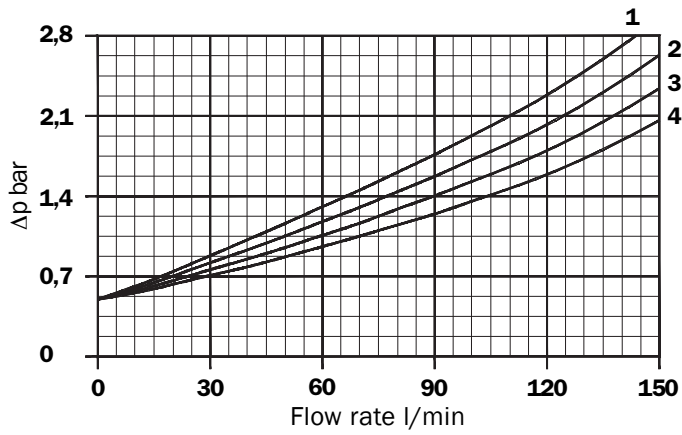


Style C - D - E - F

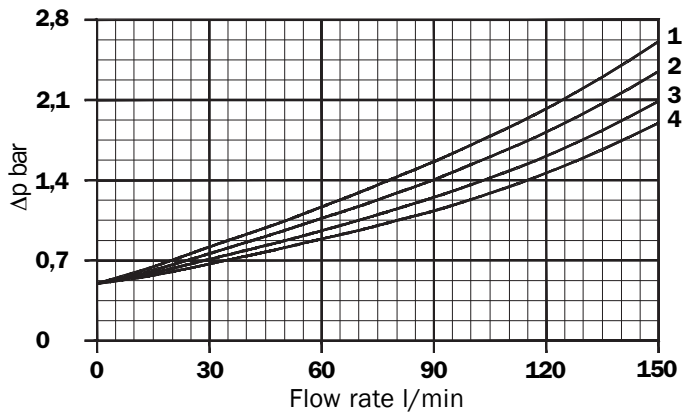
Absolute filtration A10



Absolute filtration A16

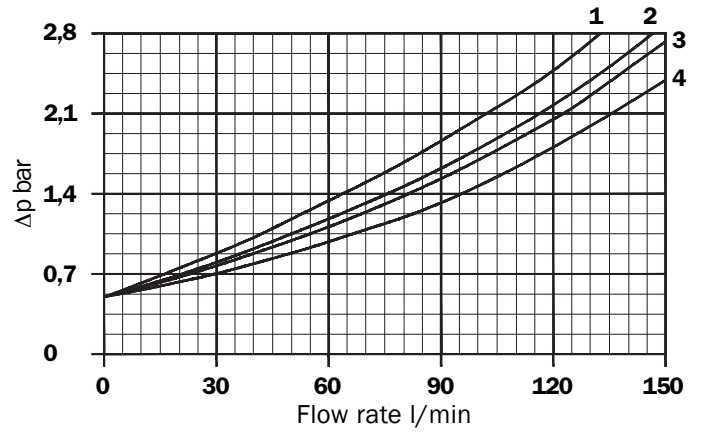


Absolute filtration A25

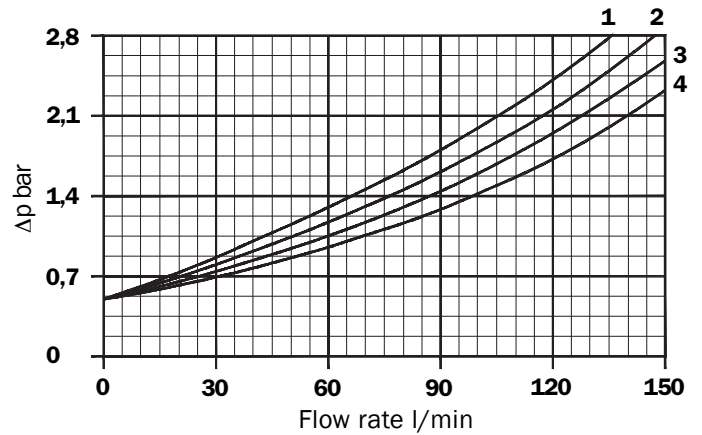


Style G - H

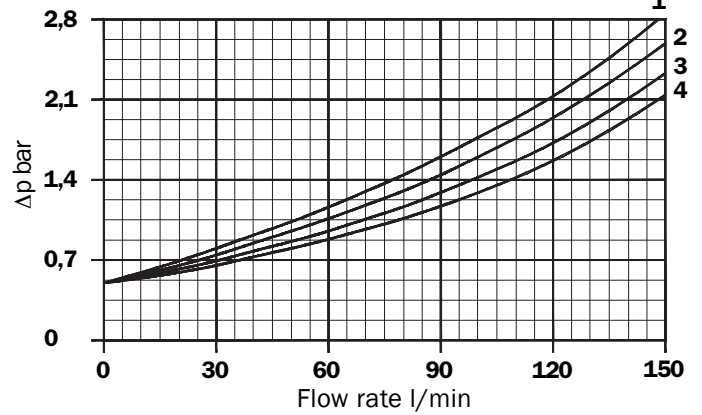
Absolute filtration A10



Absolute filtration A16



Absolute filtration A25

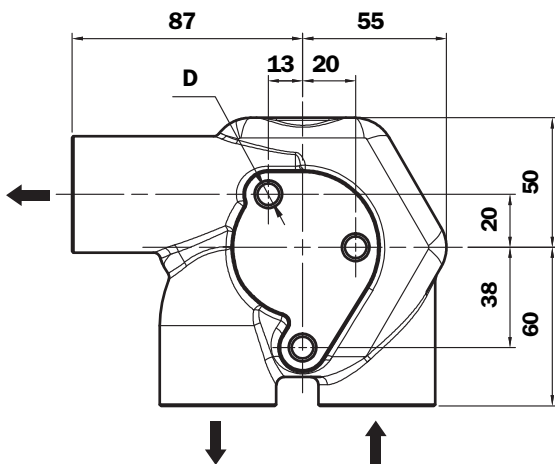
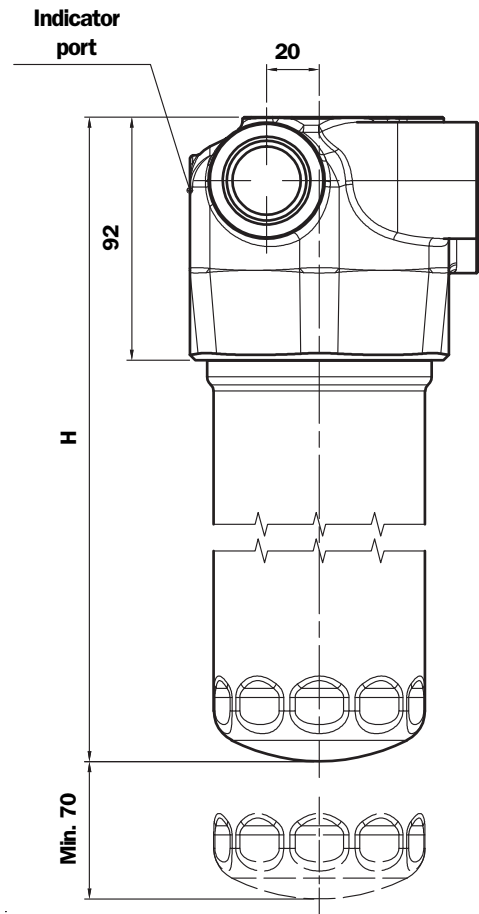
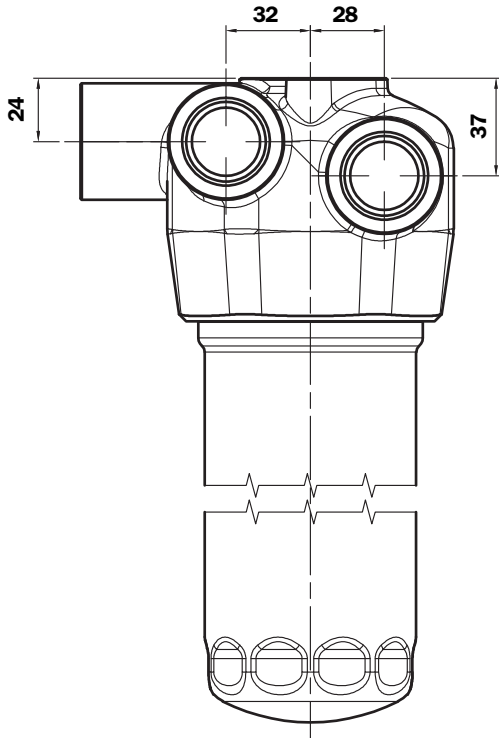


Filter length

- 1
- 2
- 3
- 4

Dimensions

LMP 124

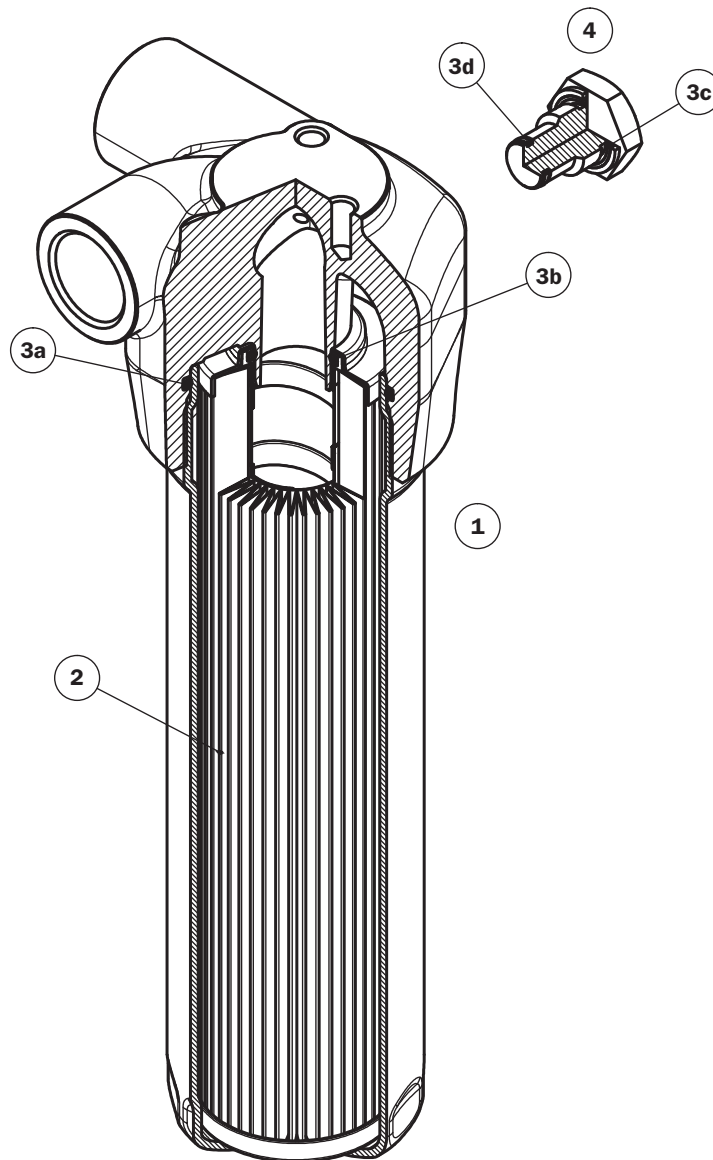


LMP 124

| Length Filter | H mm |
|---------------|------|
| 1 | 182 |
| 2 | 215 |
| 3 | 265 |
| 4 | 365 |

| St. | Connection A - B - C | Fixing holes D |
|-----|----------------------|------------------------|
| B | G 1" | M10 x depth 12 mm |
| F | SAE 16 | 3/8" UNC x depth 12 mm |

Spare parts



| Item | Description | Q.ty | FILTER Series LMP 124 | |
|-----------|---------------------------|------|----------------------------|-----------------|
| 1 | Filter assembly | 1 | See order table | |
| 2 | Filter element | 1 | See order table | |
| 3 | Seals Kit | 1 | NBR 02050478 | FPM 02050479 |
| 3a | O-Ring for housing | 1 | O-R 4312 Ø 78,97 x 3,53 | |
| 3b | O-Ring for filter element | 1 | O-R 4125 Ø 31,34 x 3,53 | |
| 3c | Seal for indicator | 1 | NBR 01030058 | FPM 01030046 |
| 3d | O-Ring for indicator | 1 | O-R 2050 Ø 12,42 x 1,78 | |
| 4 | Indicator connection plug | 1 | T2H | T2V |
| - | Indicators | 1 | See order table | |

LMP 124
Style C - D - E - F

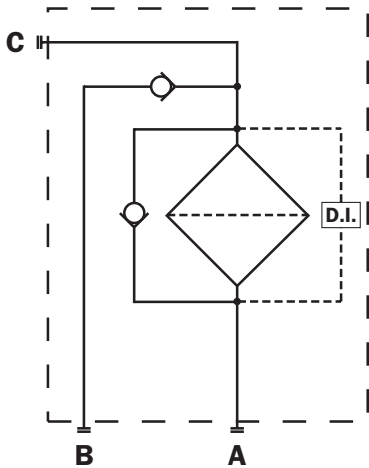


LMP 124
Style G - H

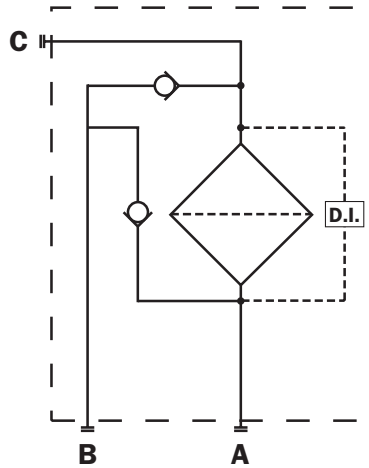


Symbols

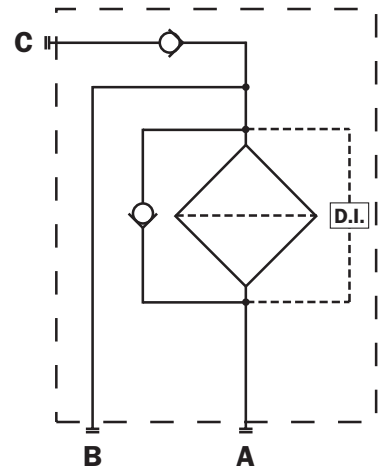
Style C
LMP 124



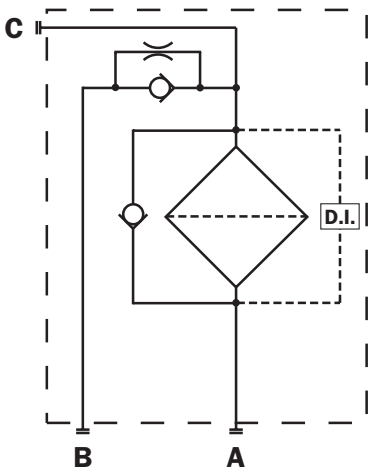
Style E
LMP 124



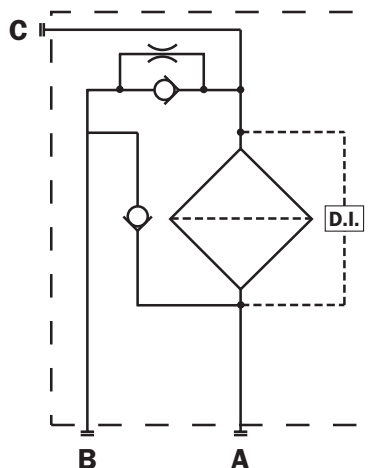
Style G
LMP 124



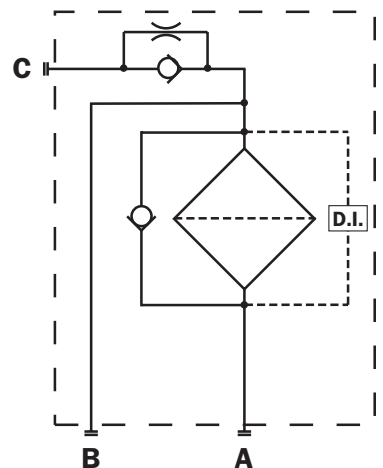
Style D
LMP 124



Style F
LMP 124



Style H
LMP 124



Ordering information LMP 124

Filter assembly LMP

Example: LMP

| | | | | | | | | |
|--------------------------|--------------------------|--------------------------|--------------------------|--------------------------|--------------------------|--------------------------|--------------------------|--------------------------|
| 1 | 2 | 3 | 4 | 5 | 6 | 7 | 8 | 9 |
| <input type="checkbox"/> | <input type="checkbox"/> | <input type="checkbox"/> | <input type="checkbox"/> | <input type="checkbox"/> | <input type="checkbox"/> | <input type="checkbox"/> | <input type="checkbox"/> | <input type="checkbox"/> |
| 124 | 2 | C | A | B | 2 | A10 | N | P01 |

Filter element CU110

Example: CU110

| | | | | |
|--------------------------|--------------------------|--------------------------|--------------------------|--------------------------|
| 2 | 7 | 4 | 8 | 9 |
| <input type="checkbox"/> | <input type="checkbox"/> | <input type="checkbox"/> | <input type="checkbox"/> | <input type="checkbox"/> |
| 2 | A10 | A | N | P01 |

1 - Style

Filter

124

Filter element

110

2 - Filter length

- 1**
- 2**
- 3**
- 4**

3 - Valves

- C**
- D**
- E**
- F**
- G**
- H**

see "SYMBOLS" (ref. to page 32)

4 - Filter seals

- A** NBR
- V** FPM
- W** NBR (Compatible with fluid HFA, HFB, HFC)
- On request

5 - Connection

| Type | MULTIPOINT |
|----------|---------------|
| B | G 1" |
| F | SAE 16 |

6 - Indicator port

- 1** No
- 2** Port G 1/8" switch
For pressure switch
- 3** Port G 1/4"
For pressure switch
- 4** Differential indicator port

7 - Filter element

- A10** Inorganic microfibre 10 μ
 - A16** Inorganic microfibre 16 μ
 - A25** Inorganic microfibre 25 μ
- Absolute filtration
 $\beta_x(c) \geq 1000$

8 - Max filter element differential pressure

- N** Δp 20 bar

9 - Option

- P01** MP Filtri standard
- Pxx** Customer request

DIFFERENTIAL INDICATORS (see page 120)

MP Filtri - The filter functions as described in this bulletin are valid exclusively for original MP Filtri filter elements and replacement parts. All rights reserved

The data in this publication are purely guideline. MP Filtri reserves the right to make changes to the models described herein at any time it deems fit in relation to technical or commercial requirements. The colours of the products shown on the cover are purely guideline. Copyright. All rights reserved.

Recommended maximum flow rate "MULTIPOINT"

Recommended maximum flow rate

- Pressure drop of filter assembly equal to Δp 0.7 bar.
- Oil kinematic viscosity 30 mm²/s (cSt).
- Density 0.86 kg/dm³.

Filtration

| | Length | A03 | A06 | A10 | A16 | A25 | P10 | P25 | M25 |
|----------------------|--------|-----|-----|-----|-----|-----|-----|-----|-----|
| LMP 110 - 119 | 1 | 40 | 42 | 63 | 68 | 83 | 114 | 153 | 111 |
| | 2 | 49 | 57 | 80 | 82 | 97 | 130 | 155 | 128 |
| | 3 | 45 | 69 | 88 | 98 | 118 | 135 | 158 | 133 |
| | 4 | 66 | 98 | 112 | 117 | 136 | 140 | 160 | 140 |

Flow rate l/min

Filtration

| | Length | A03 | A06 | A10 | A16 | A25 | P10 | P25 | M25 |
|----------------|--------|-----|-----|-----|-----|-----|-----|-----|-----|
| LMP 112 | 1 | 36 | 37 | 55 | 57 | 65 | 85 | 112 | 83 |
| | 2 | 43 | 49 | 65 | 67 | 75 | 94 | 114 | 93 |
| | 3 | 54 | 58 | 70 | 76 | 87 | 96 | 115 | 95 |
| | 4 | 66 | 76 | 87 | 88 | 96 | 98 | 115 | 98 |

Flow rate l/min

Filtration

| | Length | A03 | A06 | A10 | A16 | A25 | P10 | P25 | M25 |
|----------------|--------|-----|-----|-----|-----|-----|-----|-----|-----|
| LMP 116 | 1 | 36 | 37 | 53 | 56 | 64 | 80 | 95 | 77 |
| | 2 | 43 | 47 | 64 | 65 | 72 | 87 | 96 | 86 |
| | 3 | 55 | 56 | 67 | 73 | 83 | 89 | 97 | 88 |
| | 4 | 63 | 72 | 79 | 83 | 87 | 92 | 98 | 90 |

Flow rate l/min

Filtration

| | Length | A03 | A06 | A10 | A16 | A25 | P10 | P25 | M25 |
|----------------|--------|-----|-----|-----|-----|-----|-----|-----|-----|
| LMP 120 | 1 | 39 | 42 | 66 | 69 | 87 | 129 | 187 | 126 |
| | 2 | 48 | 57 | 86 | 88 | 108 | 153 | 187 | 150 |
| | 3 | 67 | 72 | 97 | 110 | 136 | 161 | 188 | 158 |
| | 4 | 88 | 108 | 128 | 135 | 162 | 170 | 190 | 168 |

Flow rate l/min

Filtration

| | Length | A03 | A06 | A10 | A16 | A25 | P10 | P25 | M25 |
|----------------|--------|-----|-----|-----|-----|-----|-----|-----|-----|
| LMP 122 | 1 | 42 | 44 | 70 | 74 | 92 | 137 | 205 | 132 |
| | 2 | 52 | 61 | 90 | 91 | 115 | 163 | 205 | 159 |
| | 3 | 72 | 77 | 100 | 113 | 141 | 173 | 208 | 169 |
| | 4 | 93 | 113 | 133 | 143 | 172 | 180 | 215 | 178 |

Flow rate l/min