

RF2

Maximum pressure 20 bar
Flow rates to 350 l/min



Technical data

Filter housing (Materials)

- Filter body: Aluminium
- Cover: Nylon
- Valve: Nylon - Steel
- Anti-Emptying valve: Steel

Pressure

- Working pressure: 20 bar (2 MPa)

Temperature

- From -25 °C to +110 °C

Bypass valve

- Opening pressure 1,75 bar ±10%

Δp Elements type

- Microfibre filter elements series CU: 10 bar
- Fluid flow through the filter element from OUT to IN.

Seals

- Standard NBR series A
- Optional FPM series V

RF2 250-350 FILTERS MOUNTING SEE ON TOP DRAWING

Weights (kg)

Length	1
• RF2 250	2,6
• RF2 350	2,8

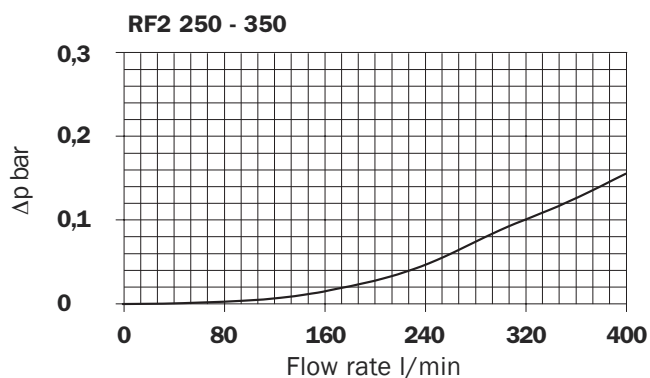
Volumes (dm³)

Length	1
• RF2 250	2,0
• RF2 350	2,0

Filter housings Δp pressure drop

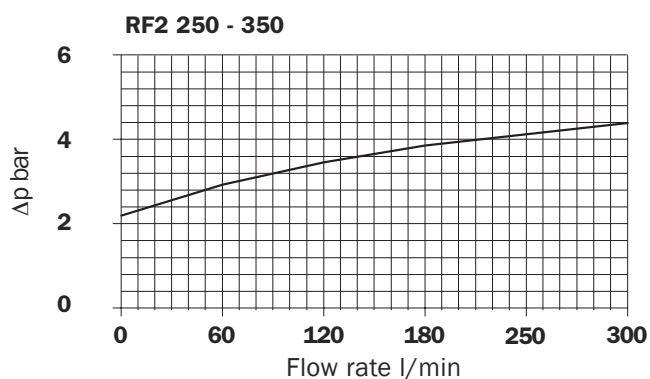
The curves are plotted utilising mineral oil with density of 0,86 kg/dm³ to ISO 3968.

Δp varies proportionally with density.



Valves

Bypass valve pressure drop



Recommended maximum flow rate

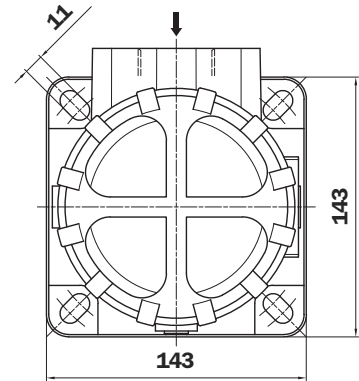
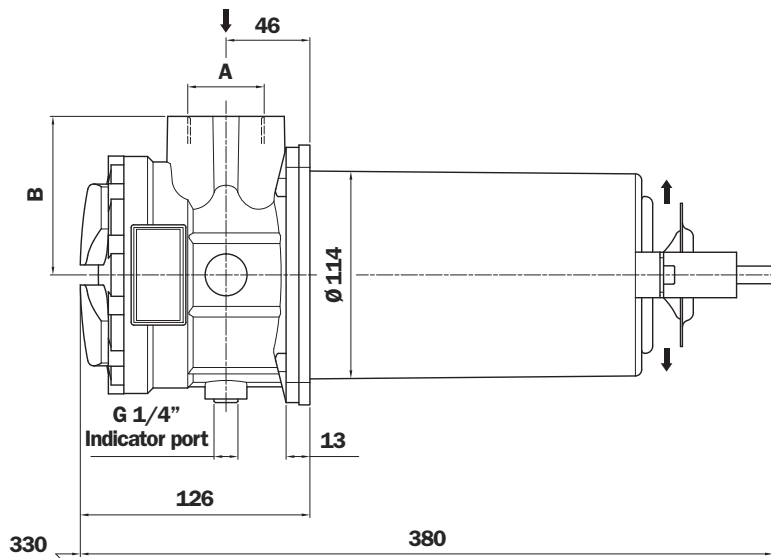
- Pressure drop of filter assembly equal to Δp 0,5 bar.
- Oil kinematic viscosity 30 mm²/s (cSt).
- Density 0,86 kg/dm³.

	Length	Filtration							
		A03	A06	A10	A16	A25	P10	P25	M25-M60-M90
RF2 250 - 350	1	143	178	270	300	350	350	350	350

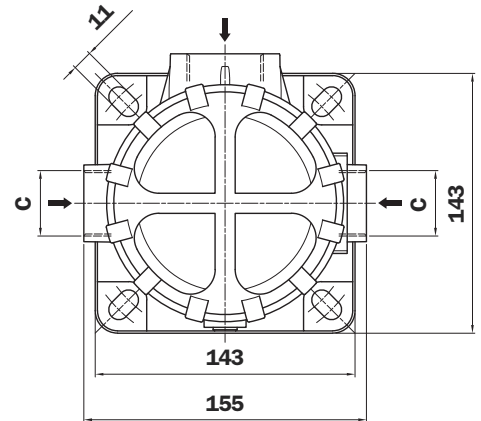
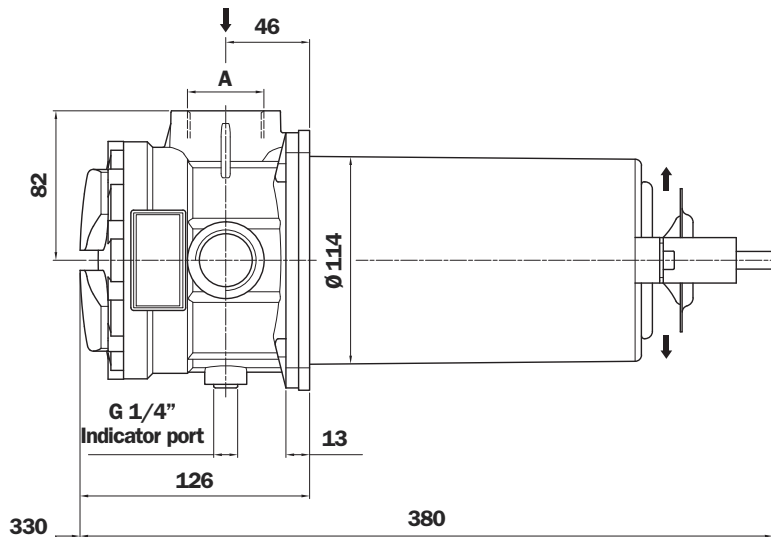
Flow rate l/min

RF2 250 - 350

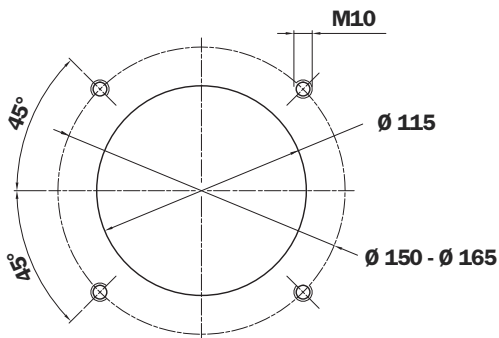
RF2 250



RF2 350



Holes on the tank



RF2 250 - Thread connections

Type	A	B
G1	G 1 1/2"	82
G2	1 1/2" NPT	82
G3	SAE 24 - 1 7/8" - 12 UN	82
G4	G 1 1/4"	82
G5	1 1/4" NPT	82
G6	SAE 20 - 1 5/8" - 12 UN	82
G7	G 1"	82
G8	1" NPT	82
G9	SAE 16 - 1 5/16" - 12 UN	82

RF2 250 - Flange connections*

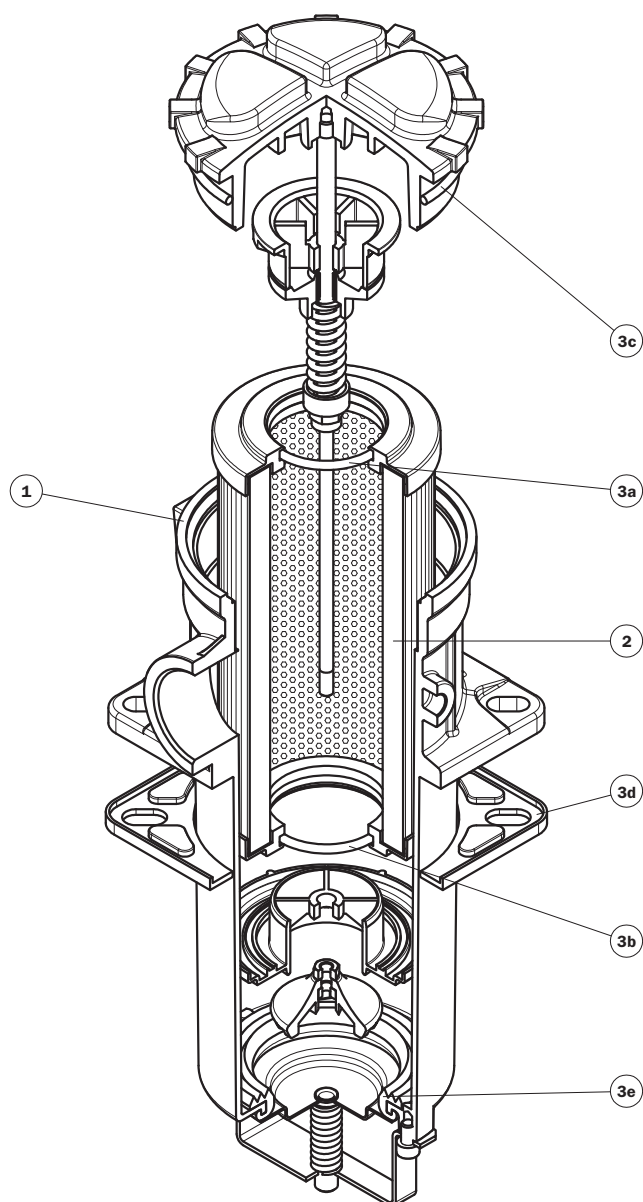
Type	A	B
F1	1 1/2" SAE 3000 psi/M	87
F2	1 1/2" SAE 3000 psi/UNC	87

*Connections table "DN - SAE flange" see page 39

RF2 350 - Thread connections

Type	A	C
G1	G 1 1/2"	G 1"
G3	SAE 24 - 1 7/8" - 12 UN	SAE 16 - 1 5/16" - 12 UN

Spare parts



Item	Description	Q.ty	FILTER Series RF2 250 - 350	
1	Filter assembly	1	See order table	
2	Filter element	1	See order table	
3	Seal Kit	1	NBR 02050586	FPM 02050587
3a	Filter element top seal	1	O-R Metric Ø 50 x 4	
3b	Filter element bottom seal	1	O-R Metric Ø 50 x 4	
3c	Cover seal	1	O-R Metric Ø 113 x 4	
3d	Head seal	1	01026595	01026596
3e	Valve seal	1	01026209	01026210

Filter assembly RF2

1	2	3	4	5	7
<input type="checkbox"/>	<input type="checkbox"/>	<input type="checkbox"/>	<input type="checkbox"/>	<input type="checkbox"/>	<input type="checkbox"/>

Example: RF2

350 A G1 B A25 P01

Filter element CU

1	5	6	7
<input type="checkbox"/>	<input type="checkbox"/>	<input type="checkbox"/>	<input type="checkbox"/>

Example: CU

250 A25 N P01

1 - Style

Filter

250
350

Filter element

250
250

2 - Filter seals & Treatment

A
V

NBR
FPM

W

NBR, Filter body anodized. Filter element compatible with fluid HFA, HFB, HFC (only for filter element type Axx and Mxx)

Z

FPM, Filter body anodized. Filter element compatible with fluid HFA, HFB, HFC (only for filter element type Axx and Mxx)

3 - Connections

RF2 250

Type	A
G1	G 1 1/2"
G2	1 1/2" NPT
G3	SAE 24 - 1 7/8" - 12 UN
G4	G 1 1/4"
G5	1 1/4" NPT
G6	SAE 20 - 1 5/8" - 12 UN
G7	G 1"
G8	1" NPT
G9	SAE 16 - 1 5/16" - 12 UN
F1	1 1/2" SAE 3000 psi/M
F2	1 1/2" SAE 3000 psi/UNC

RF2 350

Type	A	C
G1	G 1 1/2"	G 1"
G3	SAE 24 - 1 7/8" - 12 UN	SAE 16 - 1 5/16" - 12 UN

4 - By-pass valve

B
E

1,75 bar
3 bar

5 - Filter element

A03

Inorganic microfibre 3 µm

A06

Inorganic microfibre 6 µm

A10

Inorganic microfibre 10 µm

A16

Inorganic microfibre 16 µm

A25

Inorganic microfibre 25 µm

Absolute filtration
Inorganic
Microfibre

βx (c) ≥ 1000

M25

Wire mesh 25 µm

M60

Wire mesh 60 µm

M90

Wire mesh 90 µm

Nominal
Filtration

P10

Resin - Impregnated paper

P25

Resin - Impregnated paper

Nominal
Filtration

6 - Filter element seals

N

NBR

V

FPM

W*

NBR (only for filter element type Axx and Mxx)

Z*

FPM (only for filter element type Axx and Mxx)

7 - Option

P01

MP Filtri standard

* **Compatible with fluid HFA, HFB, HFC**

For Clogging Indicator:
See page 318

MP Filtri - The filter functions as described in this bulletin are valid exclusively for original MP Filtri filter elements and replacement parts. All rights reserved.

The data in this publication are purely guideline. MP Filtri reserves the right to make changes to the models described herein at any time it deems fit in relation to technical or commercial requirements. The colours of the products shown on the cover are purely guideline. Copyright. All rights reserved.